



## 7/16 DIN Male Low PIM Connector Solder Attachment for SPP-375-LLPL, SPO-375, SPF-375

### RF Connectors Technical Data Sheet



TC-375-716M-LP

### Times Microwave Systems Connector Specification

#### Configuration

- 7/16 DIN Male Connector
- 50 Ohms
- Straight Body Geometry
- Connector Interface Types: SPP-375-LLPL, SPO-375, SPF-375
- Low PIM Design

#### Features

- Max. Operating Frequency 6 GHz
- Good VSWR of 1.3:1
- PIM levels lower than -160 dBc
- Silver Plated Brass Contact
- 200  $\mu$ m contact plating

#### Applications

- General Purpose Test
- Custom Cable Assemblies
- Distributed Antenna Systems (DAS)
- Wireless Communications
- Low PIM Applications

#### Description

Times Microwave's TC-375-716M-LP 7/16 DIN male connector offered by Pasternack with solder/solder attachment for Times' SPP-375-LLPL, SPO-375 and SPF-375 is part of our full line of RF components available for same-day shipping. Times Microwave's 7/16 DIN male connector operates up to a maximum frequency of 6 GHz and offers good VSWR of 1.3:1. The Times 7/16 DIN male connector also has low passive intermodulation of -160 dBc.

Times Microwave's 7/16 DIN male connector TC-375-716M-LP datasheet specifications and drawing with dimensions are shown below in this PDF. Pasternack's broad catalog of RF, microwave and millimeter wave connectors allows designers to configure and customize their signal connections however they like. Whether the need is to provide an I/O for a board design, or simply create a custom cable assembly configuration, Pasternack has the right connector for the job. Pasternack can also expertly build your custom cable assemblies for you and ship same-day.

#### Electrical Specifications

Description	Minimum	Typical	Maximum	Units
Frequency Range	DC		6	GHz
VSWR			1.3:1	
Passive Intermodulation			-160	dBc
Dielectric Withstanding Voltage (AC)			4,000	Vrms
Insulation Resistance	10,000			MOhms

Electrical Specification Notes:  
Insertion Loss is 0.1\*sqrt(FGHz)

Click the following link (or enter part number in "SEARCH" on website) to obtain additional part information including price, inventory and certifications: [7/16 DIN Male Low PIM Connector Solder Attachment for SPP-375-LLPL, SPO-375, SPF-375 TC-375-716M-LP](#)



7/16 DIN Male Low PIM Connector Solder Attachment  
for SPP-375-LLPL, SPO-375, SPF-375

RF Connectors  
Technical Data Sheet

**Mechanical Specifications**

**Size**

Length	1.23 in [31.24 mm]
Width/Dia.	1.26 in [32.00 mm]
Mating Torque	221.2 in-lbs [25.00 Nm]

**Material Specifications**

Description	Material	Plating
Contact	Brass	Silver 200 µin
Insulation	PTFE	
Body	Brass	Tri-Metal 100 µin
Coupling Nut	Brass	Tri-Metal 100 µin

**Environmental Specifications**

**Temperature**

Operating Range	-40 to +125 deg C
Shock	MIL-STD-202, Meth.213, Cond. I
Vibration	MIL-STD-202, Meth.204, Cond. D
Thermal Shock	MIL-STD-202, Meth.107, Cond. B

**Compliance Certifications** (see [product page](#) for current document)

**Plotted and Other Data**

Notes:

Click the following link (or enter part number in "SEARCH" on website) to obtain additional part information including price, inventory and certifications: [7/16 DIN Male Low PIM Connector Solder Attachment for SPP-375-LLPL, SPO-375, SPF-375 TC-375-716M-LP](#)



## 7/16 DIN Male Low PIM Connector Solder Attachment for SPP-375-LLPL, SPO-375, SPF-375

### RF Connectors Technical Data Sheet



TC-375-716M-LP

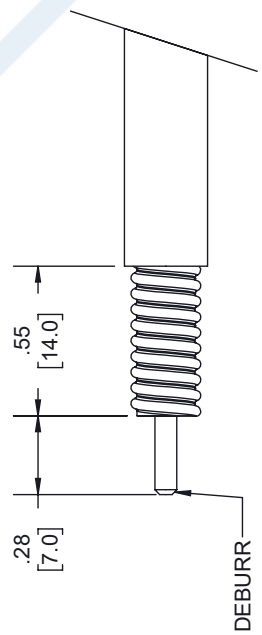
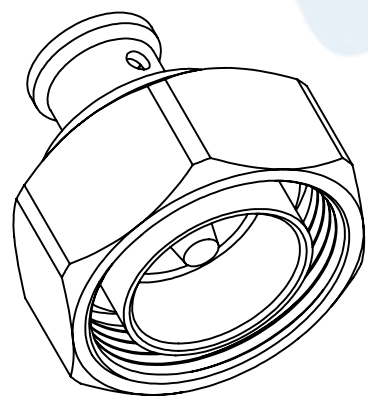
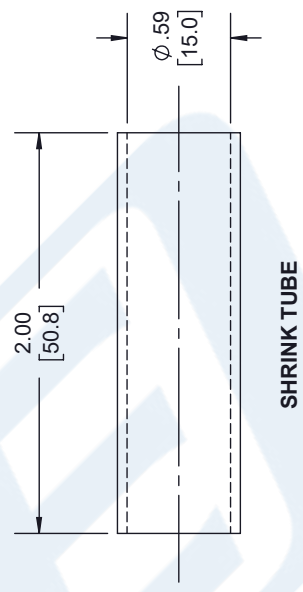
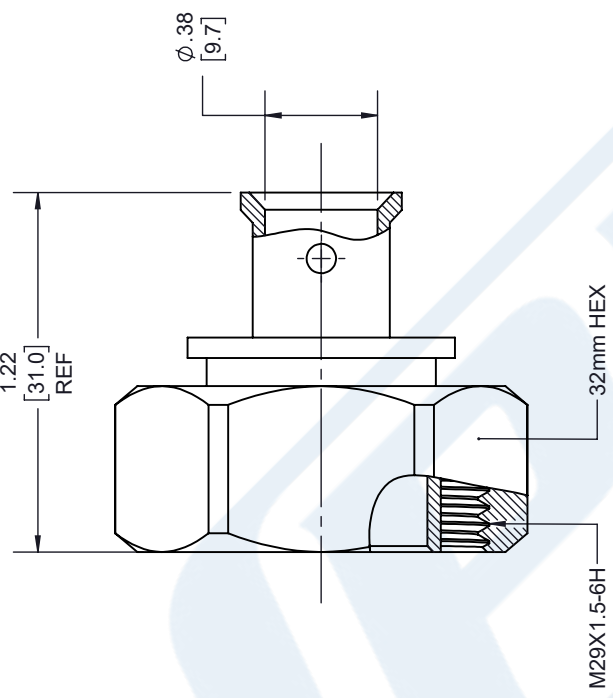
7/16 DIN Male Low PIM Connector Solder Attachment for SPP-375-LLPL, SPO-375, SPF-375 from Pasternack Enterprises has same day shipment for domestic and International orders. Our RF, microwave and millimeter wave products maintain a 99.4% availability and are part of the broadest selection in the industry.

Click the following link (or enter part number in "SEARCH" on website) to obtain additional part information including price, inventory and certifications: [7/16 DIN Male Low PIM Connector Solder Attachment for SPP-375-LLPL, SPO-375, SPF-375 TC-375-716M-LP](https://www.pasternack.com/7-16-din-male-spp-375-llpl-connector-tc-375-716m-lp-p.aspx)

URL: <https://www.pasternack.com/7-16-din-male-spp-375-llpl-connector-tc-375-716m-lp-p.aspx>

The information contained in this document is accurate to the best of our knowledge and representative of the part described herein. It may be necessary to make modifications to the part and/or the documentation of the part, in order to implement improvements. Pasternack reserves the right to make such changes as required. Unless otherwise stated, all specifications are nominal. Pasternack does not make any representation or warranty regarding the suitability of the part described herein for any particular purpose, and Pasternack does not assume any liability arising out of the use of any part or documentation.

REVISIONS			
REV.	DESCRIPTION	DATE	APPROVED
A	INITIAL RELEASE	05/24/19	S. ELLIS



**STRIPPING DIMENSIONS**

- NOTES:
- CABLE ATTACHMENT:
    - OUTER: SOLDER.
    - INNER: SOLDER.

UNLESS OTHERWISE SPECIFIED LEADING DIMENSIONS ARE INCHES DIMENSIONS IN [ ] ARE MILLIMETERS TOLERANCES: X±.2 [5.08] FRACTIONS XX±.01 [.25] ±1/32 XXX±.005 [.13] ANGLES ± 1° ALL DIMENSIONS SHOWN ARE FOR REFERENCE ONLY. THIRD-ANGLE PROJECTION		www.pasternack.com   e-mail: sales@pasternack.com P. O. Box 16759, Irvine, CA 92623. Phone: 1.949.261.1920   1.866.727.8376 Fax: 1.949.261.7451	<b>PE PASTERNAK</b> an INFINITO brand Pasternack Enterprises, Inc.	SHEET 1 OF 1
				SCALE N/A
SIZE A	CAGE 53919	DRAWN BY K.DANG	PART NUMBER TC-375-716M-LP	REV A

THESE COMMODITIES, TECHNOLOGY OR SOFTWARE WERE EXPORTED FROM THE UNITED STATES IN ACCORDANCE WITH THE EXPORT ADMINISTRATION REGULATIONS. DIVERSION CONTRARY TO U.S. LAW PROHIBITED.



## 7/16 DIN Male Low PIM Connector Solder Attachment for SPP-375-LLPL, SPO-375, SPF-375

### RF Connectors Technical Data Sheet



TC-375-716M-LP

### Times Microwave Systems Connector Specification

#### Configuration

- 7/16 DIN Male Connector
- 50 Ohms
- Straight Body Geometry
- Connector Interface Types: SPP-375-LLPL, SPO-375, SPF-375
- Low PIM Design

#### Features

- Max. Operating Frequency 6 GHz
- Good VSWR of 1.3:1
- PIM levels lower than -160 dBc
- Silver Plated Brass Contact
- 200  $\mu$ m contact plating

#### Applications

- General Purpose Test
- Custom Cable Assemblies
- Distributed Antenna Systems (DAS)
- Wireless Communications
- Low PIM Applications

#### Description

Times Microwave's TC-375-716M-LP 7/16 DIN male connector offered by Pasternack with solder/solder attachment for Times' SPP-375-LLPL, SPO-375 and SPF-375 is part of our full line of RF components available for same-day shipping. Times Microwave's 7/16 DIN male connector operates up to a maximum frequency of 6 GHz and offers good VSWR of 1.3:1. The Times 7/16 DIN male connector also has low passive intermodulation of -160 dBc.

Times Microwave's 7/16 DIN male connector TC-375-716M-LP datasheet specifications and drawing with dimensions are shown below in this PDF. Pasternack's broad catalog of RF, microwave and millimeter wave connectors allows designers to configure and customize their signal connections however they like. Whether the need is to provide an I/O for a board design, or simply create a custom cable assembly configuration, Pasternack has the right connector for the job. Pasternack can also expertly build your custom cable assemblies for you and ship same-day.

#### Electrical Specifications

Description	Minimum	Typical	Maximum	Units
Frequency Range	DC		6	GHz
VSWR			1.3:1	
Passive Intermodulation			-160	dBc
Dielectric Withstanding Voltage (AC)			4,000	Vrms
Insulation Resistance	10,000			MOhms

Electrical Specification Notes:  
Insertion Loss is 0.1\*sqrt(FGHz)

Click the following link (or enter part number in "SEARCH" on website) to obtain additional part information including price, inventory and certifications: [7/16 DIN Male Low PIM Connector Solder Attachment for SPP-375-LLPL, SPO-375, SPF-375 TC-375-716M-LP](#)



7/16 DIN Male Low PIM Connector Solder Attachment  
for SPP-375-LLPL, SPO-375, SPF-375

RF Connectors  
Technical Data Sheet

**Mechanical Specifications**

**Size**

Length	1.23 in [31.24 mm]
Width/Dia.	1.26 in [32.00 mm]
Mating Torque	221.2 in-lbs [25.00 Nm]

**Material Specifications**

Description	Material	Plating
Contact	Brass	Silver 200 µin
Insulation	PTFE	
Body	Brass	Tri-Metal 100 µin
Coupling Nut	Brass	Tri-Metal 100 µin

**Environmental Specifications**

**Temperature**

Operating Range	-40 to +125 deg C
Shock	MIL-STD-202, Meth.213, Cond. I
Vibration	MIL-STD-202, Meth.204, Cond. D
Thermal Shock	MIL-STD-202, Meth.107, Cond. B

**Compliance Certifications** (see [product page](#) for current document)

**Plotted and Other Data**

Notes:

Click the following link (or enter part number in "SEARCH" on website) to obtain additional part information including price, inventory and certifications: [7/16 DIN Male Low PIM Connector Solder Attachment for SPP-375-LLPL, SPO-375, SPF-375 TC-375-716M-LP](#)



## 7/16 DIN Male Low PIM Connector Solder Attachment for SPP-375-LLPL, SPO-375, SPF-375

### RF Connectors Technical Data Sheet



TC-375-716M-LP

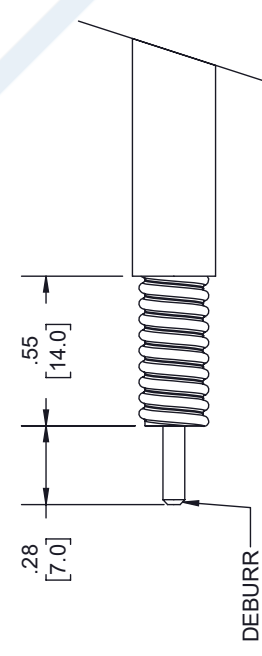
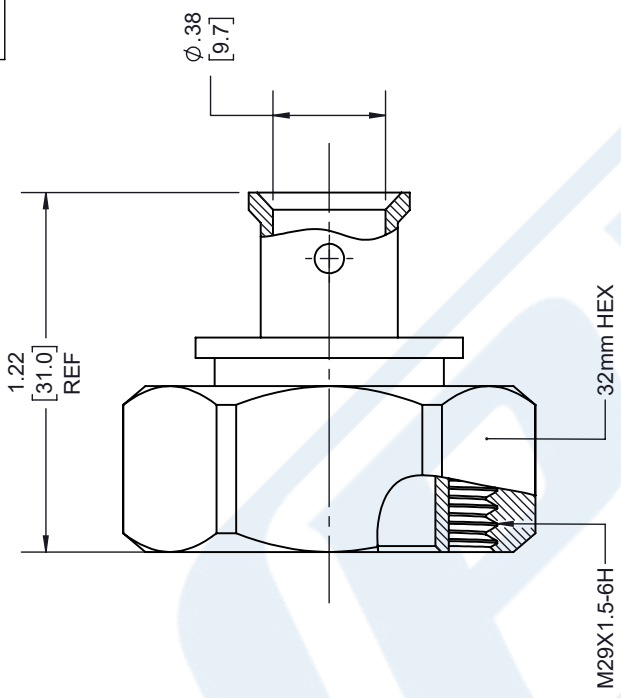
7/16 DIN Male Low PIM Connector Solder Attachment for SPP-375-LLPL, SPO-375, SPF-375 from Pasternack Enterprises has same day shipment for domestic and International orders. Our RF, microwave and millimeter wave products maintain a 99.4% availability and are part of the broadest selection in the industry.

Click the following link (or enter part number in "SEARCH" on website) to obtain additional part information including price, inventory and certifications: [7/16 DIN Male Low PIM Connector Solder Attachment for SPP-375-LLPL, SPO-375, SPF-375 TC-375-716M-LP](https://www.pasternack.com/7-16-din-male-spp-375-llpl-connector-tc-375-716m-lp-p.aspx)

URL: <https://www.pasternack.com/7-16-din-male-spp-375-llpl-connector-tc-375-716m-lp-p.aspx>

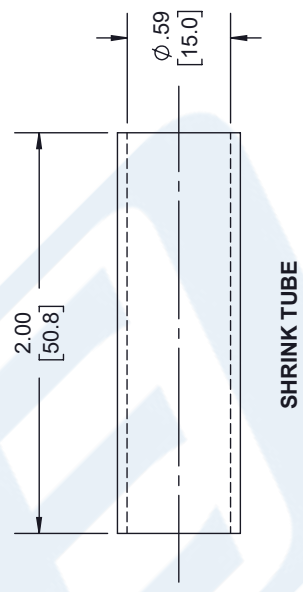
The information contained in this document is accurate to the best of our knowledge and representative of the part described herein. It may be necessary to make modifications to the part and/or the documentation of the part, in order to implement improvements. Pasternack reserves the right to make such changes as required. Unless otherwise stated, all specifications are nominal. Pasternack does not make any representation or warranty regarding the suitability of the part described herein for any particular purpose, and Pasternack does not assume any liability arising out of the use of any part or documentation.

REVISIONS			
REV.	DESCRIPTION	DATE	APPROVED
A	INITIAL RELEASE	05/24/19	S. ELLIS



**STRIPPING DIMENSIONS**

- NOTES:
- CABLE ATTACHMENT:
    - OUTER: SOLDER.
    - INNER: SOLDER.



**SHRINK TUBE**

UNLESS OTHERWISE SPECIFIED LEADING DIMENSIONS ARE INCHES DIMENSIONS IN [ ] ARE MILLIMETERS TOLERANCES: X±.2 [5.08] FRACTIONS XX±.01 [.25] ±1/32 XXX±.005 [.13] ANGLES ± 1° ALL DIMENSIONS SHOWN ARE FOR REFERENCE ONLY. THIRD-ANGLE PROJECTION		www.pasternack.com   e-mail: sales@pasternack.com P. O. Box 16759, Irvine, CA 92623. Phone: 1.949.261.1920   1.866.727.8376 Fax: 1.949.261.7451	<b>PE PASTERNAK</b> an INFINITI brand Pasternack Enterprises, Inc.	SHEET 1 OF 1	THE INFORMATION AND DESIGN IN THIS DOCUMENT IS THE PROPERTY OF PASTERNAK CORPORATION. ALL RIGHTS RESERVED.
				SCALE N/A	
SIZE A	CAGE 53919	DRAWN BY K.DANG	PART NUMBER TC-375-716M-LP	REV A	

THESE COMMODITIES, TECHNOLOGY OR SOFTWARE WERE EXPORTED FROM THE UNITED STATES IN ACCORDANCE WITH THE EXPORT ADMINISTRATION REGULATIONS. DIVERSION CONTRARY TO U.S. LAW PROHIBITED.



# Low Loss SPF-375 Rated Corrugated Coax Cable with Black FRPE Jacket Superflexible Fire Rated

## RF Cables Technical Data Sheet

### Times Microwave Systems Coax Cable Specification

#### Configuration

- Low Loss Corrugated Cable
- 1 Shield(s)

#### Features

- PIM < -160 dBc
- UL Listed, Type CMR Riser Rated Cable
- Lightweight and Extremely Flexible
- Low Loss Dielectric 84% VoP
- Shielding > 100 dB
- Fire Rated Low Smoke Polyolefin Jacket

#### Applications

- Distributed Antenna Systems (DAS)
- UL Listed, Type CMR Riser
- Applications
  - Low Smoke Requirements
  - Small Cell
- Outdoor Applications
- Antenna Jumpers

#### Description

SPF-375 low loss, low PIM Fire Retardant coax cable by Times Microwave is part of our full line of RF components available for same-day shipping. The SPF-375 coaxial cable features a low loss dielectric with an 83% velocity of propagation (VoP), BCCAL center conductor and a helically corrugated, copper outer conductor. This cable is UL listed, type CMR (riser) rated coax. These features combine to make the Times Microwave SPF-375 a super flexible, low PIM coax cable that is well suited for use as an antenna jumper cable, Distributed Antenna Systems (DAS), small cell, and other applications where Fire Rated material is required. The durable UV and sunlight resistant black flame retardant, non-halogen, polyethylene jacket makes this cable appropriate for a wide range of indoor or outdoor applications.

Our datasheet specifications and drawing with dimensions for Times Microwave SPF-375 coax cable are shown below in this PDF. Whether the need is to provide a low PIM jumper connection, low PIM feeder cable or simply create a custom cable assembly configuration, Pasternack has the right SPF-375 low PIM cable assembly for the job. See our web site to find the right connector cable combination for your application.

#### Electrical Specifications

Description	Minimum	Typical	Maximum	Units
Frequency Range	DC		6	GHz
Impedance		50		Ohms
Velocity of Propagation		83		%
Passive Intermodulation			-158	dBc
Nominal Capacitance		24 [78.74]		pF/ft [pF/m]

Click the following link (or enter part number in "SEARCH" on website) to obtain additional part information including price, inventory and certifications: [Low Loss SPF-375 Rated Corrugated Coax Cable with Black FRPE Jacket Superflexible Fire Rated SPF-375](#)



## Low Loss SPF-375 Rated Corrugated Coax Cable with Black FRPE Jacket Superflexible Fire Rated

### RF Cables Technical Data Sheet



SPF-375

#### Performance by Frequency Band

Description	F1	F2	F3	F4	F5	Units
Frequency	0.5	1	2	6		GHz
Attenuation, Typ	2.96	4.33	6.23	11.62		dB/100ft
	9.71	14.21	20.44	38.12		dB/100m
Input Power (CW), Max	970	740	510	220		Watts

#### Mechanical Specifications

Diameter	0.435 in [11.05 mm]
Weight	0.132 lbs/ft [0.2 Kg/m]
Min. Bend Radius (Installation)	1.75 in [44.45 mm]

#### Construction Specifications

Description	Material and Plating	Diameter
Inner Conductor	Copper Clad Aluminum <sup>1</sup>	0.11 in 2.79 mm
Conductor Type	Solid	
Dielectric	Foam PE	0.27 in 6.86 mm
Outer Conductor	Copper Corrugated	0.38 in 9.65 mm
Jacket	FRPE, Black	0.435 in [11.05 mm]

#### Environmental Specifications

<b>Temperature</b>	
Operating Range	-40 to +85 deg C

Click the following link (or enter part number in "SEARCH" on website) to obtain additional part information including price, inventory and certifications: [Low Loss SPF-375 Rated Corrugated Coax Cable with Black FRPE Jacket Superflexible Fire Rated SPF-375](#)



## Low Loss SPF-375 Rated Corrugated Coax Cable with Black FRPE Jacket Superflexible Fire Rated

### RF Cables Technical Data Sheet

**Compliance Certifications** (see [product page](#) for current document)

#### Plotted and Other Data

Notes:

Low Loss SPF-375 Rated Corrugated Coax Cable with Black FRPE Jacket Superflexible Fire Rated from Pasternack Enterprises has same day shipment for domestic and International orders. Our RF, microwave and millimeter wave products maintain a 99.4% availability and are part of the broadest selection in the industry.

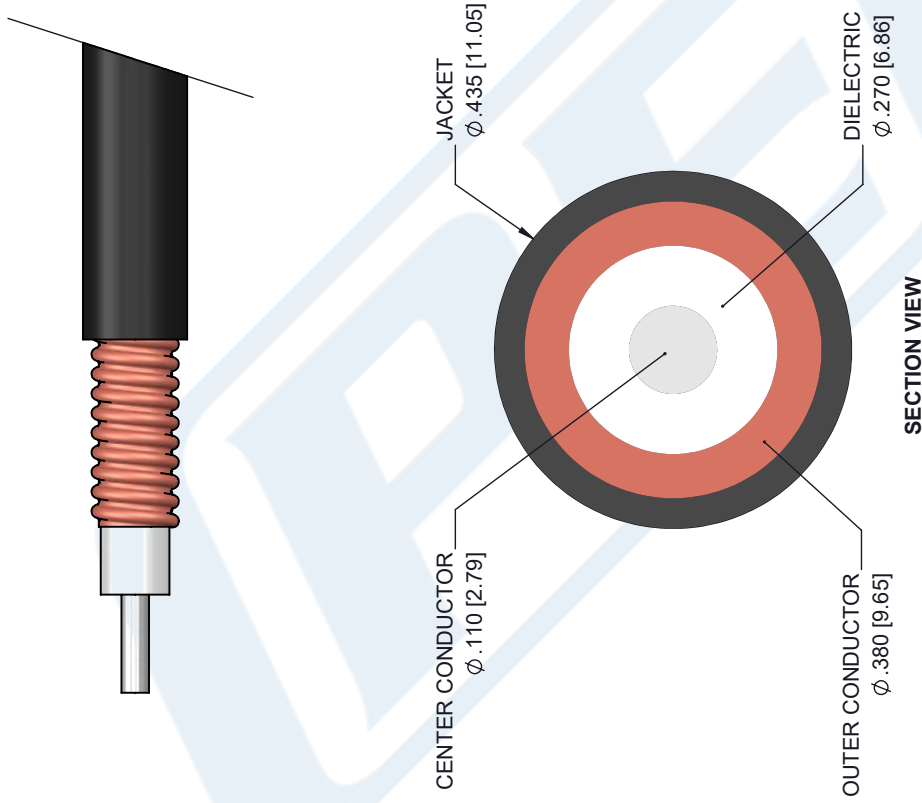
Click the following link (or enter part number in "SEARCH" on website) to obtain additional part information including price, inventory and certifications: [Low Loss SPF-375 Rated Corrugated Coax Cable with Black FRPE Jacket Superflexible Fire Rated SPF-375](#)

URL: <https://www.pasternack.com/low-loss-corrugated-spf375-frpe-jacket-spf-375-p.aspx>

The information contained in this document is accurate to the best of our knowledge and representative of the part described herein. It may be necessary to make modifications to the part and/or the documentation of the part, in order to implement improvements. Pasternack reserves the right to make such changes as required. Unless otherwise stated, all specifications are nominal. Pasternack does not make any representation or warranty regarding the suitability of the part described herein for any particular purpose, and Pasternack does not assume any liability arising out of the use of any part or documentation.

**TIMES** MICROWAVE SYSTEMS **SPF-375 CAD Drawing**  
 Low Loss SPF-375 Rated Corrugated Coax Cable with  
 Black FRPE Jacket Superflexible Fire Rated

REVISIONS			
REV.	DESCRIPTION	DATE	APPROVED
A	INITIAL RELEASE	03/04/19	S. ELLIS



UNLESS OTHERWISE SPECIFIED LEADING DIMENSIONS ARE INCHES DIMENSIONS IN [ ] ARE MILLIMETERS TOLERANCES: X±.2 [5.08] FRACTIONS ±1/32 XX±.01 [.25] ANGLES ± 1° .XXX±.005 [0.13]	ALL DIMENSIONS SHOWN ARE FOR REFERENCE ONLY. THIRD-ANGLE PROJECTION		THE INFORMATION AND DESIGN IN THIS DOCUMENT IS THE PROPERTY OF PASTERNAK CORPORATION. ALL RIGHTS RESERVED.
			SHEET 1 OF 1 SCALE N/A
Pasternack Enterprises, Inc. P. O. Box 16759, Irvine, CA 92623. Phone: 1.949.261.1920   1.866.727.8376 Fax: 1.949.261.7451 www.pasternack.com   e-mail: sales@pasternack.com			REV A
SIZE A CAGE 53919 DRAWN BY K.DANG	PART NUMBER SPF-375		

THESE COMMODITIES, TECHNOLOGY OR SOFTWARE WERE EXPORTED FROM THE UNITED STATES IN ACCORDANCE WITH THE EXPORT ADMINISTRATION REGULATIONS. DIVERSION CONTRARY TO U.S. LAW PROHIBITED.