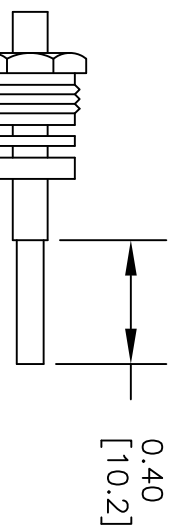
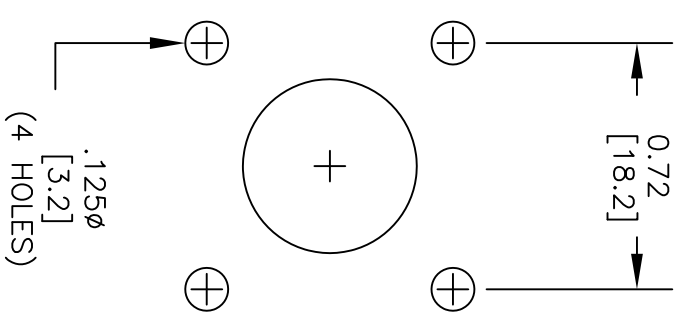
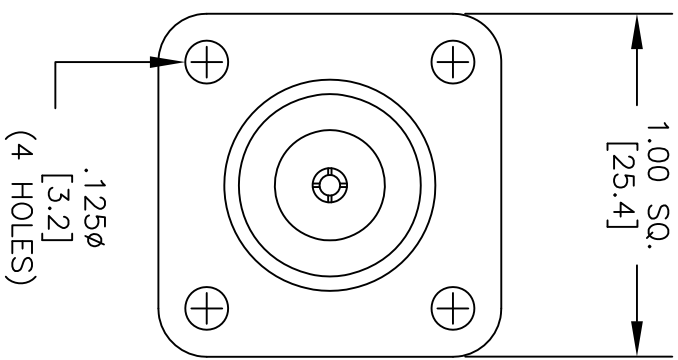
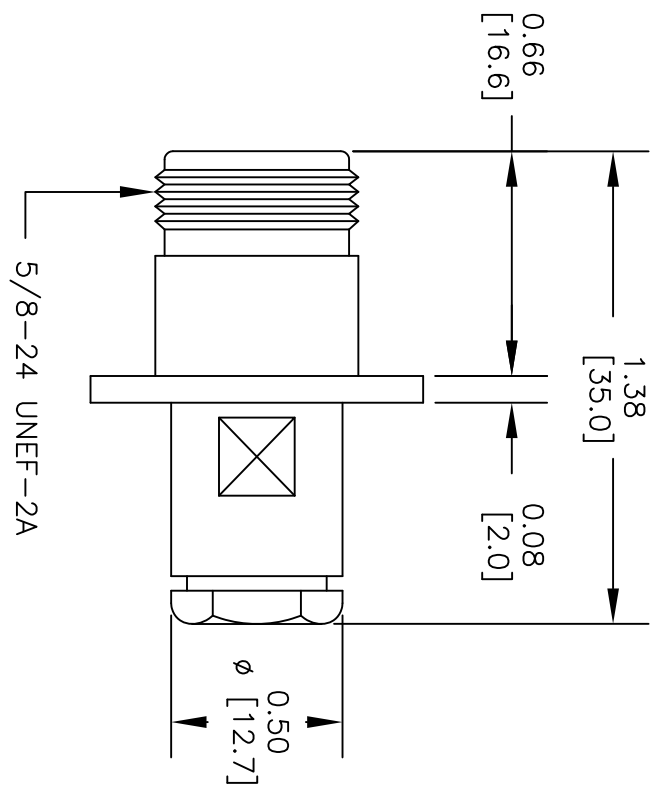


|                       |                            |
|-----------------------|----------------------------|
| <b>MATERIALS</b>      |                            |
| <b>BODY</b>           | <b>BRASS NICKEL PLATED</b> |
| <b>CONTACT</b>        | <b>GOLD PLATED</b>         |
| <b>INSULATOR</b>      | <b>PTFE</b>                |
| <b>SOLDER ADAPTER</b> | <b>BRASS GOLD PLATED</b>   |



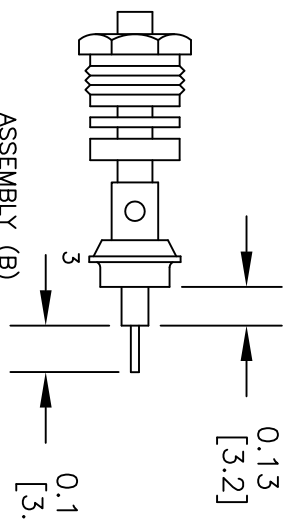
ASSEMBLY (A)

**ASSEMBLY PROCEDURES**

1. SLIDE CLAMP NUT (1) WASHER (2) & GASKET (3) OVER CABLE. STRIP CABLE AS SHOWN IN ASSEMBLY (A). DO NOT CUT DIELECTRIC.

2. SLIDE ADAPTER (4) OVER CABLE UNTIL ADAPTER (4) BOTTOMS ON OUTER CONDUCTOR. SOLDER ADAPTER (4) TO OUTER CONDUCTOR USING MINIMUM HEAT.

3. STRIP CABLE AS SHOWN IN ASSEMBLY (B). SOLDER CONTACT TO CENTER CONDUCTOR. SLIDE ASSEMBLY FORWARD & TIGHTEN TO BODY.



ASSEMBLY (B)

MOUNTING HOLE



**PASTERNAK ENTERPRISES, INC.**  
 P.O. BOX 16759, IRVINE, CA 92623  
 PHONE (949) 261-1920 FAX (949) 261-7451  
 WEB ADDRESS: www.pasternack.com  
 E-MAIL ADDRESS: sales@pasternack.com  
**COAXIAL & FIBER OPTICS**

DWG TITLE  
**PE44072**

DES. N FEMALE, PANEL MOUNT, SOLDER/CLAMP ATTACHMENT FOR RG402, PE-SR402AL & PE-SR402FL

|        |                |          |        |       |     |      |   |      |
|--------|----------------|----------|--------|-------|-----|------|---|------|
| REV. A | FSCM NO. 53919 | CAD FILE | 121411 | SCALE | N/A | SIZE | A | 2233 |
|--------|----------------|----------|--------|-------|-----|------|---|------|

NOTES:  
 1. UNLESS OTHERWISE SPECIFIED ALL DIMENSIONS ARE NOMINAL.  
 2. ALL SPECIFICATIONS ARE SUBJECT TO CHANGE WITHOUT NOTICE AT ANY TIME.  
 3. DIMENSIONS ARE IN INCHES [mm].



SMA Male Connector Solder Attachment for PE-SR402AL, PE-SR402FL, PE-SR402FLJ, PE-SR402TN, RG402

RF Connectors Technical Data Sheet

PE44691

**Configuration**

- SMA Male Connector
- 50 Ohms
- Straight Body Geometry
- PE-SR402AL, PE-SR402FL, PE-SR402FLJ, PE-SR402TN, RG402 Interface Type
- Solder Attachment
- 5/16 inch Hex

**Features**

- Max. Operating Frequency 18 GHz

**Applications**

- General Purpose Test
- Custom Cable Assemblies

**Description**

Pasternack's PE44691 SMA male connector with solder attachment for PE-SR402AL, PE-SR402FL, PE-SR402FLJ, PE-SR402TN and RG402 is part of our full line of RF components available for same-day shipping. Our SMA male connector operates up to a maximum frequency of 18 GHz.

Our SMA male connector PE44691 datasheet specifications and drawing with dimensions are shown below in this PDF. Pasternack's broad catalog of RF, microwave and millimeter wave connectors allows designers to configure and customize their signal connections however they like. Whether the need is to provide an I/O for a board design, or simply create a custom cable assembly configuration, Pasternack has the right connector for the job. Pasternack can also expertly build your custom cable assemblies for you and ship same-day.

**Electrical Specifications**

| Description     | Minimum | Typical | Maximum | Units |
|-----------------|---------|---------|---------|-------|
| Frequency Range | DC      |         | 18      | GHz   |

**Mechanical Specifications**

| Size          |                                  |
|---------------|----------------------------------|
| Length        | 0.441 in [11.2 mm]               |
| Width/Dia.    | 0.315 in [8.00 mm]               |
| Weight        | 0.005 lbs [2.27 g]               |
| Mating Torque | 8 to 10 in-lbs [0.90 to 1.13 Nm] |

Click the following link (or enter part number in "SEARCH" on website) to obtain additional part information including price, inventory and certifications: [SMA Male Connector Solder Attachment for PE-SR402AL, PE-SR402FL, PE-SR402FLJ, PE-SR402TN, RG402 PE44691](#)



SMA Male Connector Solder Attachment for PE-SR402AL, PE-SR402FL, PE-SR402FLJ, PE-SR402TN, RG402

## RF Connectors Technical Data Sheet

PE44691

### Material Specifications

| Description  | Material                   | Plating          |
|--------------|----------------------------|------------------|
| Body         | Brass                      | Gold over Nickel |
| Coupling Nut | Passivated Stainless Steel |                  |

**Compliance Certifications** (see [product page](#) for current document)

### Plotted and Other Data

Notes:

SMA Male Connector Solder Attachment for PE-SR402AL, PE-SR402FL, PE-SR402FLJ, PE-SR402TN, RG402 from Pasternack Enterprises has same day shipment for domestic and International orders. Our RF, microwave and millimeter wave products maintain a 99.4% availability and are part of the broadest selection in the industry.

Click the following link (or enter part number in "SEARCH" on website) to obtain additional part information including price, inventory and certifications: [SMA Male Connector Solder Attachment for PE-SR402AL, PE-SR402FL, PE-SR402FLJ, PE-SR402TN, RG402 PE44691](#)

URL: <https://www.pasternack.com/sma-male-standard-pe-sr402al-pe-sr402fl-pe-sr402flj-connector-pe44691-p.aspx>

The information contained in this document is accurate to the best of our knowledge and representative of the part described herein. It may be necessary to make modifications to the part and/or the documentation of the part, in order to implement improvements. Pasternack reserves the right to make such changes as required. Unless otherwise stated, all specifications are nominal. Pasternack does not make any representation or warranty regarding the suitability of the part described herein for any particular purpose, and Pasternack does not assume any liability arising out of the use of any part or documentation.

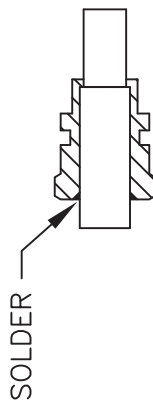
# PE44691 CAD Drawing

SMA Male Connector Solder Attachment for PE-SR402AL, PE-SR402FL, PE-SR402FLJ, PE-SR402TN, RG402

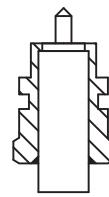
## ASSEMBLY PROCEDURES



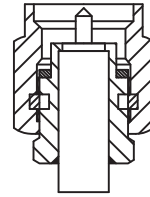
1. STRIP CABLE AS SHOWN.



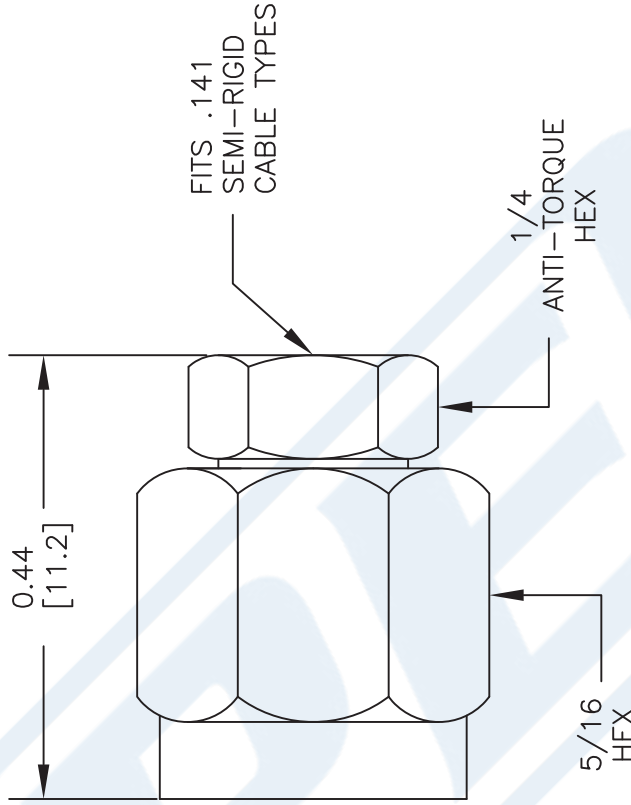
2. SOLDER CONNECTOR BODY.



3. TRIM DIELECTRIC, DO NOT NICK CENTER CONDUCTOR AND POINT THE CENTER CONTACT OF CABLE.



4. INSTALL THE COUPLING NUT.



DWG TITLE

**PE44691**

NOTES:  
 1. UNLESS OTHERWISE SPECIFIED ALL DIMENSIONS ARE NOMINAL.  
 2. ALL SPECIFICATIONS ARE SUBJECT TO CHANGE WITHOUT NOTICE AT ANY TIME.  
 3. DIMENSIONS ARE IN INCHES [mm].  
 4. FITS MIL-C-17 AND EQUIVALENT CABLES.

REV. A

FSCM NO. 53919

CAD FILE 050412

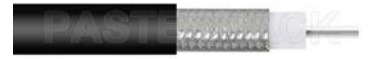
SCALE N/A

SIZE A

2233

**PE PASTERNAK**  
 THE ENGINEER'S RF SOURCE

Pasternack Enterprises, Inc.  
 P.O. Box 16759 | Irvine | CA | 92623  
 Phone: (949) 261-1920 | Fax: (949) 261-7451  
 Website: www.pasternack.com | E-Mail: sales@pasternack.com



## Formable 141 Semirigid Coax Cable with Tinned Braid Outer Conductor and Black FEP Jacket

### RF Cables Technical Data Sheet

PE-SR402FLJ

#### Configuration

- Formable Cable

#### Features

- Dimensionally the same as standard solid outer conductor semi-rigid coax
- Standard semi-rigid connectors can be used
- Cable is hand formable and does not require special tools to bend
- Connectors are easily soldered to Tin soaked outer conductor
- Cable can be formed more than once without damage to outer conductor
- High RF Shielding >100 dB

#### Description

Formable semi-rigid coax is a hand formable version of standard semi-rigid that does not require complicated and costly pre-formed cable assemblies. Because the dimensions and electrical characteristics are so closely matched to semi-rigid coax, standard semi-rigid connectors can be used. The tin soaked copper braid outer shield provides excellent RF shielding. FEP Jacket reduces the chance of shorting exposed contacts or circuit conductors.

#### Electrical Specifications

| Description                          | Minimum | Typical    | Maximum | Units        |
|--------------------------------------|---------|------------|---------|--------------|
| Frequency Range                      | DC      |            | 34      | GHz          |
| Impedance                            |         | 50         |         | Ohms         |
| Velocity of Propagation              |         | 70         |         | %            |
| Time Delay                           |         | 1.43       | 4.69    | ns/ft ns/m   |
| Shielding Effectiveness              | 100     |            |         | dB           |
| Operating Voltage (AC)               |         |            | 1,900   | Vrms         |
| Dielectric Withstanding Voltage (AC) |         |            | 3,000   | Vrms         |
| Inner Conductor DC Resistance        |         |            | 8.23    | Ohms/1000ft  |
| Nominal Capacitance                  |         | 29 [95.14] |         | pF/ft [pF/m] |
| Insulation Resistance                | 1,524   |            |         | MOhms/1000ft |

#### Performance by Frequency Band

| Description           | F1    | F2    | F3     | F4     | F5     | Units    |
|-----------------------|-------|-------|--------|--------|--------|----------|
| Frequency             | 0.5   | 1     | 5      | 10     | 20     | GHz      |
| Attenuation, Typ      | 8.23  | 12.5  | 32     | 48.158 | 73.152 | dB/100ft |
|                       | 27    | 41.01 | 104.99 | 158    | 240    | dB/100m  |
| Input Power (CW), Max | 436.5 | 303.4 | 126.7  | 85.5   | 56.6   | Watts    |

Click the following link (or enter part number in "SEARCH" on website) to obtain additional part information including price, inventory and certifications: [Formable PE-SR402FLJ Coax Cable with Tinned Copper Braid Outer Conductor and Black FEP Jacket PE-SR402FLJ](#)



## Formable 141 Semirigid Coax Cable with Tinned Braid Outer Conductor and Black FEP Jacket

### RF Cables Technical Data Sheet

PE-SR402FLJ

#### Mechanical Specifications

|                                 |                          |
|---------------------------------|--------------------------|
| Diameter                        | 0.161 in [4.09 mm]       |
| Weight                          | 0.032 lbs/ft [0.05 Kg/m] |
| Min. Bend Radius (Installation) | 0.315 in [8 mm]          |
| Min. Bend Radius (Repeated)     | 1.575 in [40.01 mm]      |

#### Construction Specifications

| Description     | Material and Plating | Diameter           |
|-----------------|----------------------|--------------------|
| Inner Conductor | Copper, Silver1      | 0.036 in 0.91 mm   |
| Conductor Type  | Solid                |                    |
| Dielectric      | PTFE                 | 0.117 in 2.97 mm   |
| Outer Conductor | Tinned Copper Braid  | 0.139 in 3.53 mm   |
| Jacket          | FEP, Black           | 0.161 in [4.09 mm] |

#### Environmental Specifications

##### Temperature

|                 |                   |
|-----------------|-------------------|
| Operating Range | -65 to +150 deg C |
| Storage Range   | 10 to +35 deg C   |

**Compliance Certifications** (see [product page](#) for current document)

#### Plotted and Other Data

Notes:

Formable 141 Semirigid Coax Cable with Tinned Braid Outer Conductor and Black FEP Jacket from Pasternack Enterprises has same day shipment for domestic and International orders. Our RF, microwave and millimeter wave products maintain a 99.4% availability and are part of the broadest selection in the industry.

Click the following link (or enter part number in "SEARCH" on website) to obtain additional part information including price, inventory and certifications: [Formable PE-SR402FLJ Coax Cable with Tinned Copper Braid Outer Conductor and Black FEP Jacket PE-SR402FLJ](#)

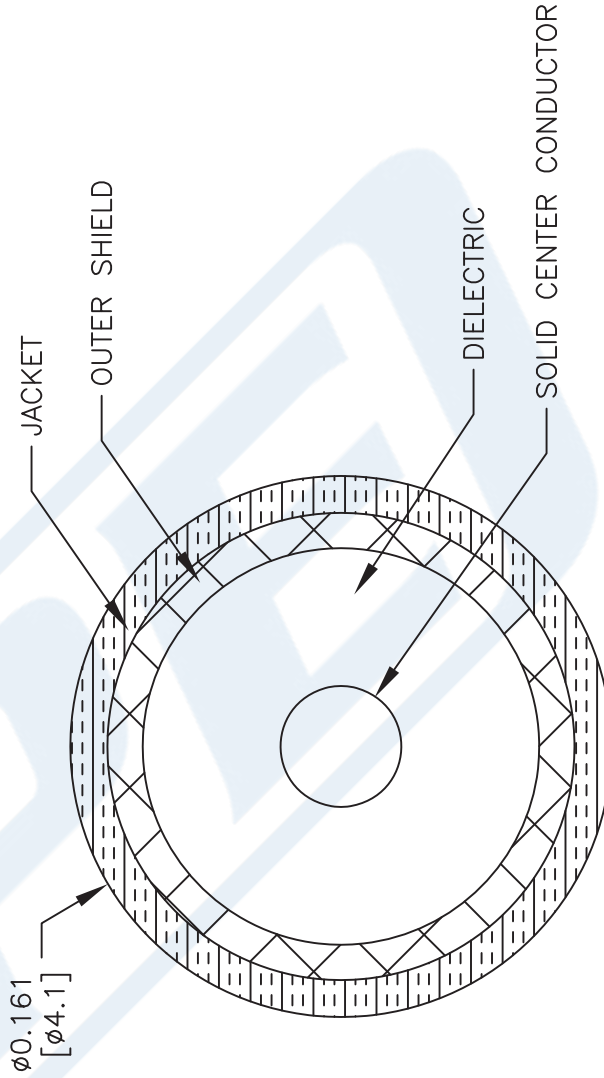
URL: <https://www.pasternack.com/50-ohm-formable-141-semirigid-tinned-braid-outer-conductor-fep-jacket-black-pe-sr402flj-p.aspx>

# PE-SR402FLJ CAD Drawing

Formable 141 Semirigid Coax Cable with Tinned Braid  
Outer Conductor and Black FEP Jacket



**PE-SR402FLJ**



NOTES:  
1. UNLESS OTHERWISE SPECIFIED ALL DIMENSIONS ARE NOMINAL.  
2. ALL SPECIFICATIONS ARE SUBJECT TO CHANGE WITHOUT NOTICE AT ANY TIME.  
3. DIMENSIONS ARE IN INCHES [mm].

DWG TITLE  
**PE-SR402FLJ**

41742

SIZE A

SCALE N/A

CAD FILE 111716

FSCM NO. 53919

**PE PASTERNAK**  
THE ENGINEER'S RF SOURCE  
Pasternack Enterprises, Inc.  
P.O. Box 16759 | Irvine | CA | 92623  
Phone: (949) 261-1920 | Fax: (949) 261-7451  
Website: www.pasternack.com | E-Mail: sales@pasternack.com