



7/16 DIN Male Low PIM Connector Clamp/Non-Solder Contact Attachment For 1/2" Superflexible, PE-1/2SFHC

TECHNICAL DATA SHEET

PE44732

7/16 DIN Male Connectors

These Pasternack Enterprises' high performance connectors are designed to fit on most commercially available 1/2" superflexible, spiral corrugated copper cables and aluminum cables. These connectors are perfect for applications requiring low PIM levels, with outstanding RF performance and are easy to install in the field.

Features of the new connectors include:

- Tri-metal coating resulting in a very durable surface with good corrosion protection while providing superior electrical conductivity and exceptional PIM performance
- PIM performance of ≤ -160 dBc. VSWR levels of ≤ 1.10 up to 3GHz
- Available in 7/16 DIN and Type N series with both male and female interfaces
- O Rings gaskets provide a reliable long term weather seal
- Designed to fit on most commercially available 1/2" corrugated copper and aluminum cables

Configuration

Connector	7/16 DIN Male
Connector Interface Type	1/2" Superflexible, PE-1/2SFHC
Cable Attachment Method (Shield/Contact)	Clamp/Non-Solder Contact
Connector Design	Low PIM
Body Style	Straight

Electrical Specifications

Frequency Range, GHz	DC to 3
Impedance, Ohms	50
Maximum VSWR	1.1:1
Maximum Insertion Loss, dB	0.1
Dielectric Withstanding Voltage, Vrms	3,000
Maximum Passive Intermodulation (2 x 20 Watts), dBc	-160

Mechanical Specifications

Temperature

Operating Range, deg C	-40 to +85
------------------------	------------

Size

Length, in [mm]	2.04 [51.82]
Width/Dia., in [mm]	1.25 [31.75]
Weight, lbs [g]	0.28 [127.01]

Click the following link (or enter part number in "SEARCH" on website) to obtain additional part information including price, inventory and certifications: [7/16 DIN Male Low PIM Connector Clamp/Non-Solder Contact Attachment For 1/2" Superflexible, PE-1/2SFHC PE44732](#)

The information contained in this document is accurate to the best of our knowledge and representative of the part described herein. It may be necessary to make modifications to the part and/or the documentation of the part, in order to implement improvements. Pasternack reserves the right to make such changes as required. Unless otherwise stated, all specifications are nominal.



7/16 DIN Male Low PIM Connector Clamp/Non-Solder Contact Attachment For 1/2" Superflexible, PE-1/2SFHC

TECHNICAL DATA SHEET

PE44732

Connector

Type	7/16 DIN Male
Mating Cycles	500
Contact Material and Plating	Spring Copper, Silver
Contact Plating Specification	200 [5] μ in. [μ m] minimum
Outer Conductor Material and Plating	Brass, Tri-Metal
Outer Conductor Plating Specification	78 [2] μ in. [μ m] minimum
Coupling Nut Material and Plating	Brass, Nickel
Coupling Nut Plating Specification	200 [5] μ in. [μ m] minimum
Hex Size, mm	32
Torque, ft-lbs [Nm]	18.417 [24.97]
Body Material and Plating	Brass, Tri-Metal
Body Plating Specification	78 [2] μ in. [μ m] minimum
Dielectric Type	TPX

Compliance Certifications (visit www.Pasternack.com for current document)

RoHS Compliant	Yes
----------------	-----

Plotted and Other Data

Notes:	Values at 25 °C, sea level
--------	----------------------------

7/16 DIN Male Low PIM Connector Clamp/Non-Solder Contact Attachment For 1/2" Superflexible, PE-1/2SFHC from Pasternack Enterprises has same day shipment for domestic and International orders. Our RF, microwave and fiber optic products maintain a 99% availability and are part of the broadest selection in the industry.

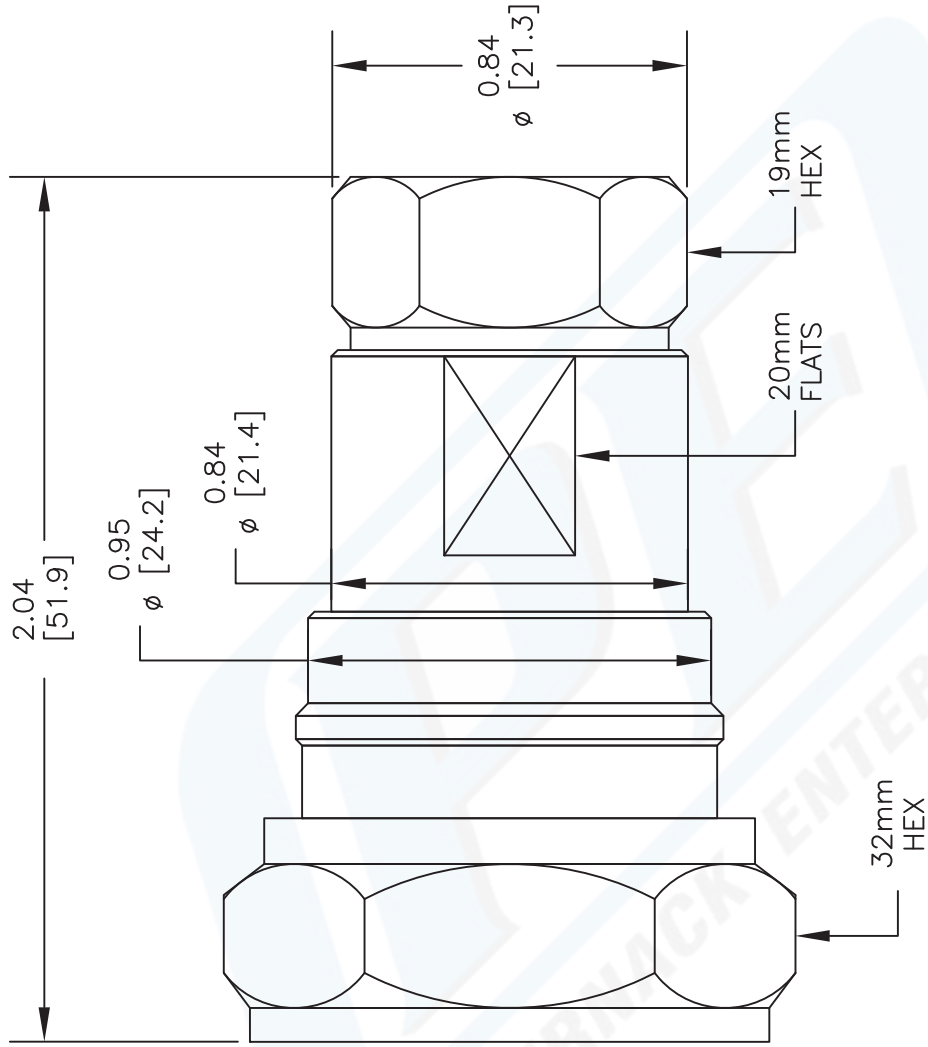
Click the following link (or enter part number in "SEARCH" on website) to obtain additional part information including price, inventory and certifications: [7/16 DIN Male Low PIM Connector Clamp/Non-Solder Contact Attachment For 1/2" Superflexible, PE-1/2SFHC PE44732](http://www.pasternack.com/7-16-male-standard-1-2-inch-super-flexible-pe-12sfhc-connector-pe44732-p.aspx)

URL: <http://www.pasternack.com/7-16-male-standard-1-2-inch-super-flexible-pe-12sfhc-connector-pe44732-p.aspx>

The information contained in this document is accurate to the best of our knowledge and representative of the part described herein. It may be necessary to make modifications to the part and/or the documentation of the part, in order to implement improvements. Pasternack reserves the right to make such changes as required. Unless otherwise stated, all specifications are nominal.

PE44732 CAD Drawing

7/16 DIN Male Low PIM Connector Clamp/Non-Solder Contact
Attachment For 1/2" Superflexible, PE-1/2SFHC



7/16
MALE

DWG TITLE

PE44732

NOTES:
1. UNLESS OTHERWISE SPECIFIED ALL DIMENSIONS ARE NOMINAL.
2. ALL SPECIFICATIONS ARE SUBJECT TO CHANGE WITHOUT NOTICE AT ANY TIME.
3. DIMENSIONS ARE IN INCHES [mm].

PASTERNAK ENTERPRISES, INC.

P.O. BOX 16759, IRVINE, CA 92623
PHONE (949) 261-1920 FAX (949) 261-7451

WEB ADDRESS: www.pasternack.com
E-MAIL ADDRESS: sales@pasternack.com

COAXIAL & FIBER OPTICS



REV. -

FSCM NO. 53919

DATE 08/14/12

SCALE N/A

SIZE A

2233



7/16 DIN Male Low PIM Connector Clamp/Non-Solder Contact Attachment For 1/2" Superflexible, PE-1/2SFHC

TECHNICAL DATA SHEET

PE44732

7/16 DIN Male Connectors

These Pasternack Enterprises' high performance connectors are designed to fit on most commercially available 1/2" superflexible, spiral corrugated copper cables and aluminum cables. These connectors are perfect for applications requiring low PIM levels, with outstanding RF performance and are easy to install in the field.

Features of the new connectors include:

- Tri-metal coating resulting in a very durable surface with good corrosion protection while providing superior electrical conductivity and exceptional PIM performance
- PIM performance of ≤ -160 dBc. VSWR levels of ≤ 1.10 up to 3GHz
- Available in 7/16 DIN and Type N series with both male and female interfaces
- O Rings gaskets provide a reliable long term weather seal
- Designed to fit on most commercially available 1/2" corrugated copper and aluminum cables

Configuration

Connector	7/16 DIN Male
Connector Interface Type	1/2" Superflexible, PE-1/2SFHC
Cable Attachment Method (Shield/Contact)	Clamp/Non-Solder Contact
Connector Design	Low PIM
Body Style	Straight

Electrical Specifications

Frequency Range, GHz	DC to 3
Impedance, Ohms	50
Maximum VSWR	1.1:1
Maximum Insertion Loss, dB	0.1
Dielectric Withstanding Voltage, Vrms	3,000
Maximum Passive Intermodulation (2 x 20 Watts), dBc	-160

Mechanical Specifications

Temperature

Operating Range, deg C	-40 to +85
------------------------	------------

Size

Length, in [mm]	2.04 [51.82]
Width/Dia., in [mm]	1.25 [31.75]
Weight, lbs [g]	0.28 [127.01]

Click the following link (or enter part number in "SEARCH" on website) to obtain additional part information including price, inventory and certifications: [7/16 DIN Male Low PIM Connector Clamp/Non-Solder Contact Attachment For 1/2" Superflexible, PE-1/2SFHC PE44732](#)

The information contained in this document is accurate to the best of our knowledge and representative of the part described herein. It may be necessary to make modifications to the part and/or the documentation of the part, in order to implement improvements. Pasternack reserves the right to make such changes as required. Unless otherwise stated, all specifications are nominal.



7/16 DIN Male Low PIM Connector Clamp/Non-Solder Contact Attachment For 1/2" Superflexible, PE-1/2SFHC

TECHNICAL DATA SHEET

PE44732

Connector

Type	7/16 DIN Male
Mating Cycles	500
Contact Material and Plating	Spring Copper, Silver
Contact Plating Specification	200 [5] μ in. [μ m] minimum
Outer Conductor Material and Plating	Brass, Tri-Metal
Outer Conductor Plating Specification	78 [2] μ in. [μ m] minimum
Coupling Nut Material and Plating	Brass, Nickel
Coupling Nut Plating Specification	200 [5] μ in. [μ m] minimum
Hex Size, mm	32
Torque, ft-lbs [Nm]	18.417 [24.97]
Body Material and Plating	Brass, Tri-Metal
Body Plating Specification	78 [2] μ in. [μ m] minimum
Dielectric Type	TPX

Compliance Certifications (visit www.Pasternack.com for current document)

RoHS Compliant	Yes
----------------	-----

Plotted and Other Data

Notes:	Values at 25 °C, sea level
--------	----------------------------

7/16 DIN Male Low PIM Connector Clamp/Non-Solder Contact Attachment For 1/2" Superflexible, PE-1/2SFHC from Pasternack Enterprises has same day shipment for domestic and International orders. Our RF, microwave and fiber optic products maintain a 99% availability and are part of the broadest selection in the industry.

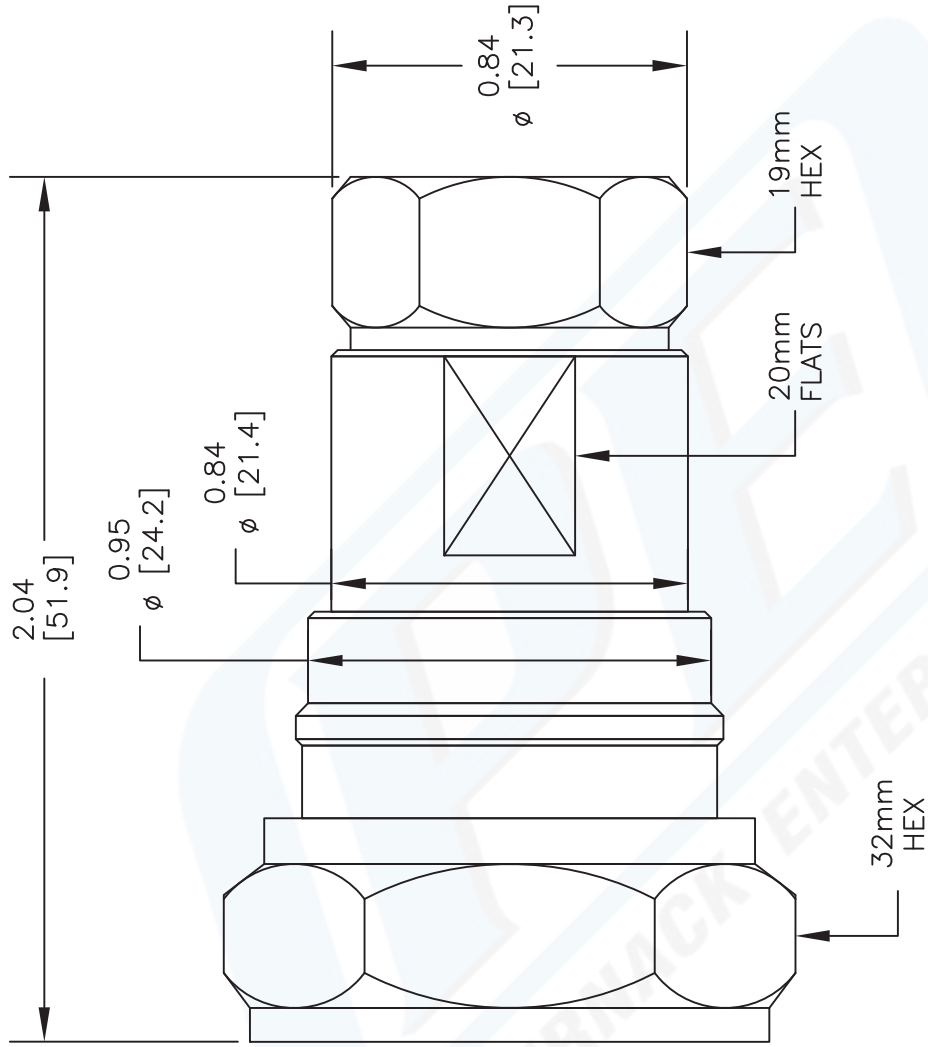
Click the following link (or enter part number in "SEARCH" on website) to obtain additional part information including price, inventory and certifications: [7/16 DIN Male Low PIM Connector Clamp/Non-Solder Contact Attachment For 1/2" Superflexible, PE-1/2SFHC PE44732](http://www.pasternack.com/7-16-male-standard-1-2-inch-super-flexible-pe-12sfhc-connector-pe44732-p.aspx)

URL: <http://www.pasternack.com/7-16-male-standard-1-2-inch-super-flexible-pe-12sfhc-connector-pe44732-p.aspx>

The information contained in this document is accurate to the best of our knowledge and representative of the part described herein. It may be necessary to make modifications to the part and/or the documentation of the part, in order to implement improvements. Pasternack reserves the right to make such changes as required. Unless otherwise stated, all specifications are nominal.

PE44732 CAD Drawing

7/16 DIN Male Low PIM Connector Clamp/Non-Solder Contact Attachment For 1/2" Superflexible, PE-1/2SFHC



7/16
MALE

DWG TITLE

PE44732

NOTES:
 1. UNLESS OTHERWISE SPECIFIED ALL DIMENSIONS ARE NOMINAL.
 2. ALL SPECIFICATIONS ARE SUBJECT TO CHANGE WITHOUT NOTICE AT ANY TIME.
 3. DIMENSIONS ARE IN INCHES [mm].

PASTERNAK ENTERPRISES, INC.

P.O. BOX 16759, IRVINE, CA 92623
 PHONE (949) 261-1920 FAX (949) 261-7451

WEB ADDRESS: www.pasternack.com
 E-MAIL ADDRESS: sales@pasternack.com

COAXIAL & FIBER OPTICS



REV. -

FSCM NO. 53919

DATE 08/14/12

SCALE N/A

SIZE A

2233



Low Loss SPP-500-LLPL Plenum Rated Corrugated Coax Cable with Blue FEP Jacket Superflexible

Times Microwave Systems Coax Cable Specification

Configuration

- Low Loss, Plenum Corrugated Cable
- 1 Shield(s)

Features

- PIM < -160 dBc
- UL910 Plenum Rated Cable
- Lightweight and Extremely Flexible
- Low Loss Dielectric 76% VoP
- Shielding >100 dB
- UV Resistant FEP Jacket

Applications

- Distributed Antenna Systems (DAS)
- Plenum Installations
- Small Cells
- Multi-Carrier Communication Systems
- PIM Testing
- Antenna Jumpers

Description

SPP-500-LLPL low loss, low PIM Plenum Rated coax cable by Times Microwave is part of our full line of RF components available for same-day shipping. The SPP-500-LLPL coaxial cable features a low loss dielectric with an 76% velocity of propagation (VoP), BCCAL center conductor and a helically corrugated, copper outer conductor. This cable is UL listed, type CMP (plenum) rated coax. These features combine to make the Times Microwave SPP-500-LLPL a super flexible, low PIM coax cable that is well suited for use as an antenna jumper cable, Distributed Antenna Systems (DAS), small cell, and other applications where Fire Rated material is required. The durable FEP outer jacket makes this cable appropriate for a wide range of indoor or outdoor applications.

Our datasheet specifications and drawing with dimensions for Times Microwave SPP-500-LLPL coax cable are shown below in this PDF. Whether the need is to provide a low PIM jumper connection, low PIM feeder cable or simply create a custom cable assembly configuration, Pasternack has the right SPP-500-LLPL low PIM cable assembly for the job. See our web site to find the right connector cable combination for your application.

Electrical Specifications

Description	Minimum	Typical	Maximum	Units
Frequency Range	DC		5.8	GHz
Impedance		50		Ohms
Velocity of Propagation		76		%
Passive Intermodulation			-160	dBc
Nominal Capacitance		26.2 [85.96]		pF/ft [pF/m]

Click the following link (or enter part number in "SEARCH" on website) to obtain additional part information including price, inventory and certifications: [Low Loss SPP-500-LLPL Plenum Rated Corrugated Coax Cable with Blue FEP Jacket Superflexible SPP-500-LLPL](#)



Low Loss SPP-500-LLPL Plenum Rated Corrugated Coax Cable with Blue FEP Jacket Superflexible

RF Cables
Technical Data Sheet



SPP-500-LLPL

Performance by Frequency Band

Description	F1	F2	F3	F4	F5	Units
Frequency	0.45	1.5	2	2.5	5.8	GHz
Attenuation, Typ	2.29	4.41	5.12	5.82	9.23	dB/100ft
	7.51	14.47	16.8	19.09	30.28	dB/100m
Input Power (CW), Max	2,500	1,340	1,150	1,020	650	Watts

Mechanical Specifications

Diameter	0.5 in [12.7 mm]
Weight	0.072 lbs/ft [0.11 Kg/m]
Min. Bend Radius (Installation)	1.5 in [38.1 mm]

Construction Specifications

Description	Material and Plating	Diameter
Inner Conductor	Copper Clad Aluminum ¹	0.136 in 3.45 mm
Conductor Type	Solid	
Dielectric	PTFE	0.37 in 9.4 mm
Outer Conductor	Copper Corrugated	0.472 in 11.99 mm
Jacket	FEP, Blue	0.5 in [12.7 mm]

Environmental Specifications

Temperature	
Operating Range	-55 to +200 deg C

Click the following link (or enter part number in "SEARCH" on website) to obtain additional part information including price, inventory and certifications: [Low Loss SPP-500-LLPL Plenum Rated Corrugated Coax Cable with Blue FEP Jacket Superflexible SPP-500-LLPL](#)



Low Loss SPP-500-LLPL Plenum Rated Corrugated Coax Cable with Blue FEP Jacket Superflexible

RF Cables Technical Data Sheet



SPP-500-LLPL

Compliance Certifications (see [product page](#) for current document)

Plotted and Other Data

Notes:

Low Loss SPP-500-LLPL Plenum Rated Corrugated Coax Cable with Blue FEP Jacket Superflexible from Pasternack Enterprises has same day shipment for domestic and International orders. Our RF, microwave and millimeter wave products maintain a 99.4% availability and are part of the broadest selection in the industry.

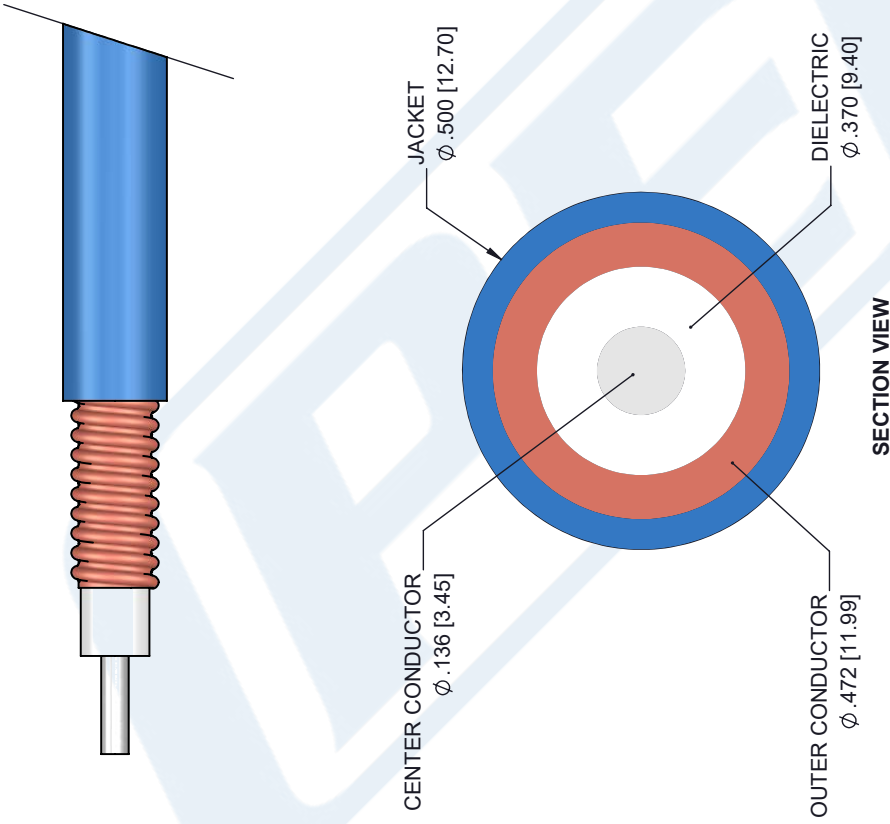
Click the following link (or enter part number in "SEARCH" on website) to obtain additional part information including price, inventory and certifications: [Low Loss SPP-500-LLPL Plenum Rated Corrugated Coax Cable with Blue FEP Jacket Superflexible SPP-500-LLPL](#)

URL: <https://www.pasternack.com/low-loss-corrugated-spp500llpl-fep-jacket-spp-500-llpl-p.aspx>

The information contained in this document is accurate to the best of our knowledge and representative of the part described herein. It may be necessary to make modifications to the part and/or the documentation of the part, in order to implement improvements. Pasternack reserves the right to make such changes as required. Unless otherwise stated, all specifications are nominal. Pasternack does not make any representation or warranty regarding the suitability of the part described herein for any particular purpose, and Pasternack does not assume any liability arising out of the use of any part or documentation.

TIMES MICROWAVE SYSTEMS **SPP-500-LLPL CAD Drawing**
 Low Loss SPP-500-LLPL Plenum Rated Corrugated Coax
 Cable with Blue FEP Jacket Superflexible

REVISIONS			
REV.	DESCRIPTION	DATE	APPROVED
A	INITIAL RELEASE	03/04/19	S. ELLIS



UNLESS OTHERWISE SPECIFIED
 LEADING DIMENSIONS ARE INCHES
 DIMENSIONS IN [] ARE MILLIMETERS

TOLEANCES:
 X±.2 [5.08] FRACTIONS ±1/32
 XX±.01 [.25] ANGLES ±1°
 XXX±.005 [0.13] ARE FOR REFERENCE ONLY.

ALL DIMENSIONS SHOWN
 ARE FOR REFERENCE ONLY.
 THIRD-ANGLE PROJECTION

(PE) PASTERNAK
 an INFINITO brand

Pasternack Enterprises, Inc.
 P.O. Box 16759, Irvine, CA 92623.
 Phone: 1.949.261.1920 | 1.866.727.8376
 Fax: 1.949.261.7451
 www.pasternack.com | e-mail: sales@pasternack.com

THE INFORMATION AND DESIGN IN THIS DOCUMENT IS THE PROPERTY OF PASTERNAK CORPORATION. ALL RIGHTS RESERVED.

SHEET 1 OF 1
 SCALE N/A

SIZE CAGE DRAWN BY PART NUMBER REV
 A 53919 K.DANG SPP-500-LLPL A

THESE COMMODITIES, TECHNOLOGY OR SOFTWARE WERE EXPORTED FROM THE UNITED STATES IN ACCORDANCE WITH THE EXPORT ADMINISTRATION REGULATIONS. DIVERSION CONTRARY TO U.S. LAW PROHIBITED.