



RP-SMA Male Connector Crimp/Solder Attachment for RG178, RG196

RF Connectors
Technical Data Sheet

PE45008

Configuration

- SMA Male Reverse Polarity Connector
- Straight Body Geometry
- Connector Interface Types: RG178, RG196
- 5/16 inch Hex

Features

- Gold Plated Copper Contact
- Reverse Polarity

Applications

- General Purpose Test
- Custom Cable Assemblies

Description

Pasternack's PE45008 RP SMA male connector with crimp/solder attachment for RG178 and RG196 is part of our full line of RF components available for same-day shipping. The male reverse polarity configuration uses a male connector body with a female inner contact receptacle.

Our reverse polarity SMA male connector PE45008 datasheet specifications and drawing with dimensions are shown below in this PDF. Pasternack's broad catalog of RF, microwave and millimeter wave connectors allows designers to configure and customize their signal connections however they like. Whether the need is to provide an I/O for a board design, or simply create a custom cable assembly configuration, Pasternack has the right connector for the job. Pasternack can also expertly build your custom cable assemblies for you and ship same-day.

Mechanical Specifications

Size

Length 0.645 in [16.38 mm]
Width/Dia. 0.177 in [4.50 mm]

Material Specifications

| Description | Material | Plating |
|--------------|----------|---------|
| Contact | Copper | Gold |
| Insulation | PTFE | |
| Body | Brass | Gold |
| Coupling Nut | Brass | Gold |

Click the following link (or enter part number in "SEARCH" on website) to obtain additional part information including price, inventory and certifications: [RP-SMA Male Connector Crimp/Solder Attachment for RG178, RG196 PE45008](#)



RP-SMA Male Connector Crimp/Solder
Attachment for RG178, RG196

RF Connectors
Technical Data Sheet

PE45008

Environmental Specifications

Compliance Certifications (see [product page](#) for current document)

Plotted and Other Data

Notes:

Click the following link (or enter part number in "SEARCH" on website) to obtain additional part information including price, inventory and certifications: [RP-SMA Male Connector Crimp/Solder Attachment for RG178, RG196 PE45008](#)



RP-SMA Male Connector Crimp/Solder Attachment for RG178, RG196

RF Connectors
Technical Data Sheet

PE45008

Assembly Instruction

Assembly Instructions

STEP 1. MAIN BODY CONTACT PIN BARREL FERRULE
FRONT INSULATOR REAR INSULATOR HEX NUT

STEP 2.

STEP 3. CRIMP

STEP 4. SOLDER

STEP 5.

STEP 6.

STEP 1. All parts of the connector are shown.

STEP 2. Strip the cable inner conductor, dielectric, braid, and jacket as per "RECOMMENDED CABLE STRIPPING DIM'S" in catalog.

STEP 3. Slide the HEX NUT and FERRULE onto cable. Then insert the BARREL into braid and dielectric, and slide the FERRULE over braid and crimp it as shown.

STEP 4. Slide the REAR INSULATOR against the BARREL. Then insert inner conductor into the CONTACT PIN and solder it as shown.

STEP 5. Slide the FRONT INSULATOR against the REAR INSULATOR.

STEP 6. Insert cable and parts into the MAIN BODY, then screw the HEX NUT until it is tight.

Click the following link (or enter part number in "SEARCH" on website) to obtain additional part information including price, inventory and certifications: [RP-SMA Male Connector Crimp/Solder Attachment for RG178, RG196 PE45008](#)



RP-SMA Male Connector Crimp/Solder Attachment for RG178, RG196

RF Connectors Technical Data Sheet

PE45008

RP-SMA Male Connector Crimp/Solder Attachment for RG178, RG196 from Pasternack Enterprises has same day shipment for domestic and International orders. Our RF, microwave and millimeter wave products maintain a 99.4% availability and are part of the broadest selection in the industry.

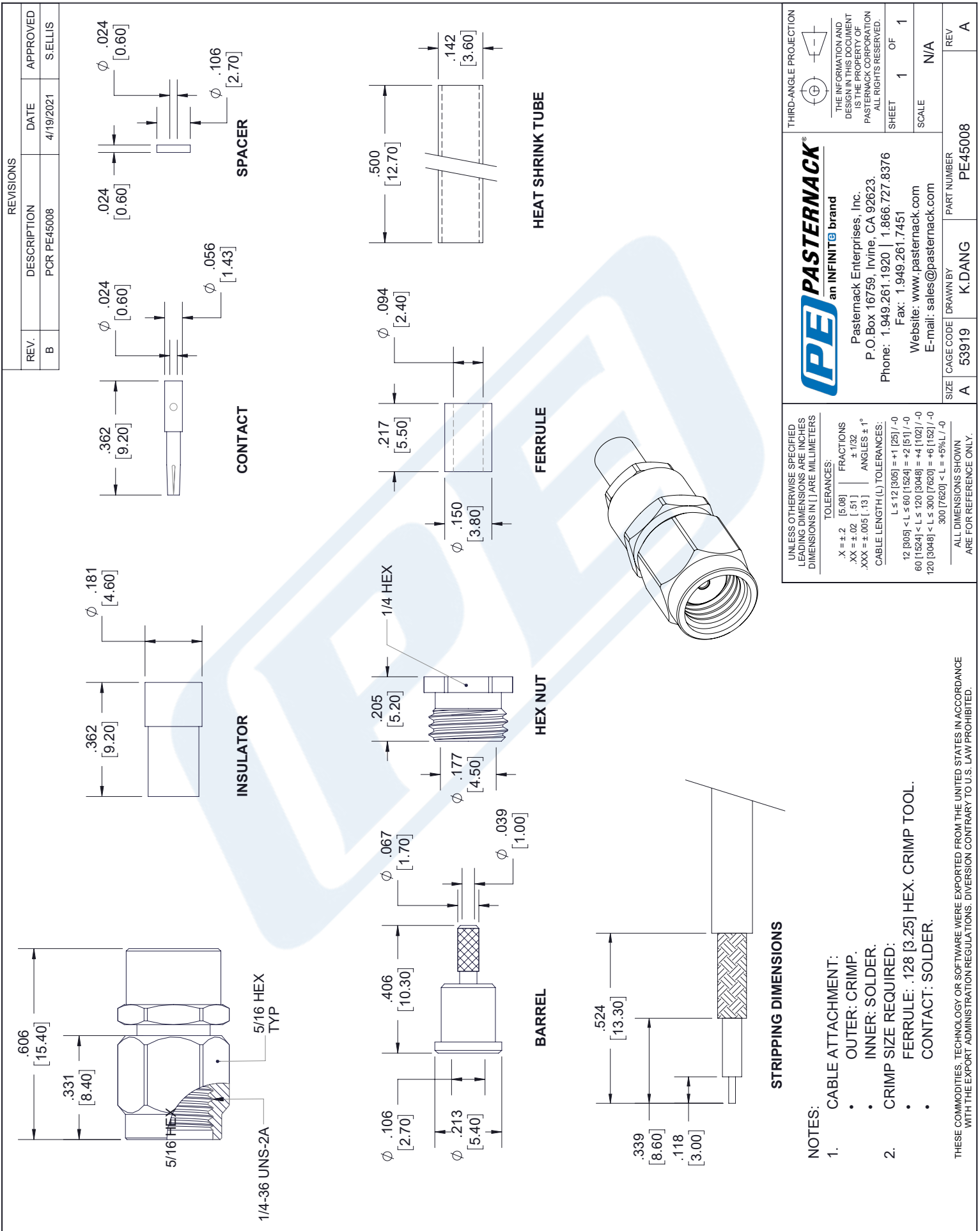
Click the following link (or enter part number in "SEARCH" on website) to obtain additional part information including price, inventory and certifications: [RP-SMA Male Connector Crimp/Solder Attachment for RG178, RG196 PE45008](https://www.pasternack.com/sma-male-reverse-polarity-rg178-rg196-connector-pe45008-p.aspx)

URL: <https://www.pasternack.com/sma-male-reverse-polarity-rg178-rg196-connector-pe45008-p.aspx>

The information contained in this document is accurate to the best of our knowledge and representative of the part described herein. It may be necessary to make modifications to the part and/or the documentation of the part, in order to implement improvements. Pasternack reserves the right to make such changes as required. Unless otherwise stated, all specifications are nominal. Pasternack does not make any representation or warranty regarding the suitability of the part described herein for any particular purpose, and Pasternack does not assume any liability arising out of the use of any part or documentation.

PE45008 CAD Drawing

RP-SMA Male Connector Crimp/Solder Attachment for RG178, RG196





RP-SMA Female Bulkhead Mount Connector Crimp/Solder Attachment for RG196, RG178

RF Connectors Technical Data Sheet

PE45004

Configuration

- SMA Female Reverse Polarity Connector
- 50 Ohms
- Straight Body Geometry
- RG196, RG178 Interface Type
- Crimp/Solder Attachment
- Bulkhead

Features

- Max. Operating Frequency 12.4 GHz
- Good VSWR of 1.3:1
- Gold Plated Brass Contact
- Reverse Polarity

Applications

- General Purpose Test
- Rack and Panel Mount Applications
- Custom Cable Assemblies

Description

Pasternack's PE45004 RP SMA female bulkhead connector with crimp/solder attachment for RG196 and RG178 is part of our full line of RF components available for same-day shipping. The female reverse polarity configuration uses a female connector body with a male inner contact pin. Our SMA female connector operates up to a maximum frequency of 12.4 GHz and offers good VSWR of 1.3:1. This SMA bulkhead connector allows designers to create external connections on their product enclosures, and can be used in a variety of other rack mount and panel mount applications.

Our reverse polarity SMA female bulkhead connector PE45004 datasheet specifications and drawing with dimensions are shown below in this PDF. Pasternack's broad catalog of RF, microwave and millimeter wave connectors allows designers to configure and customize their signal connections however they like. Whether the need is to provide an I/O for a board design, or simply create a custom cable assembly configuration, Pasternack has the right connector for the job. Pasternack can also expertly build your custom cable assemblies for you and ship same-day.

Electrical Specifications

| Description | Minimum | Typical | Maximum | Units |
|--------------------------------------|---------|---------|---------|-------|
| Frequency Range | DC | | 12.4 | GHz |
| VSWR | | | 1.3:1 | |
| Operating Voltage (AC) | | | 333 | Vrms |
| Dielectric Withstanding Voltage (AC) | | | 1,000 | Vrms |

Mechanical Specifications

| Size | |
|---------------|--------------------|
| Length | 0.78 in [19.81 mm] |
| Width/Dia. | 0.43 in [10.92 mm] |
| Weight | 0.012 lbs [5.44 g] |
| Mating Cycles | 500 Cycles |

Click the following link (or enter part number in "SEARCH" on website) to obtain additional part information including price, inventory and certifications: [RP-SMA Female Bulkhead Mount Connector Crimp/Solder Attachment for RG196, RG178 PE45004](#)



RP-SMA Female Bulkhead Mount Connector Crimp/
Solder Attachment for RG196, RG178

RF Connectors
Technical Data Sheet

PE45004

Material Specifications

| Description | Material | Plating |
|-------------|----------|---------|
| Contact | Brass | Gold |
| Insulation | PTFE | |
| Body | Brass | Gold |

Environmental Specifications

Temperature

Operating Range -65 to +165 deg C

Compliance Certifications (see [product page](#) for current document)

Plotted and Other Data

Notes:

RP-SMA Female Bulkhead Mount Connector Crimp/Solder Attachment for RG196, RG178 from Pasternack Enterprises has same day shipment for domestic and International orders. Our RF, microwave and millimeter wave products maintain a 99.4% availability and are part of the broadest selection in the industry.

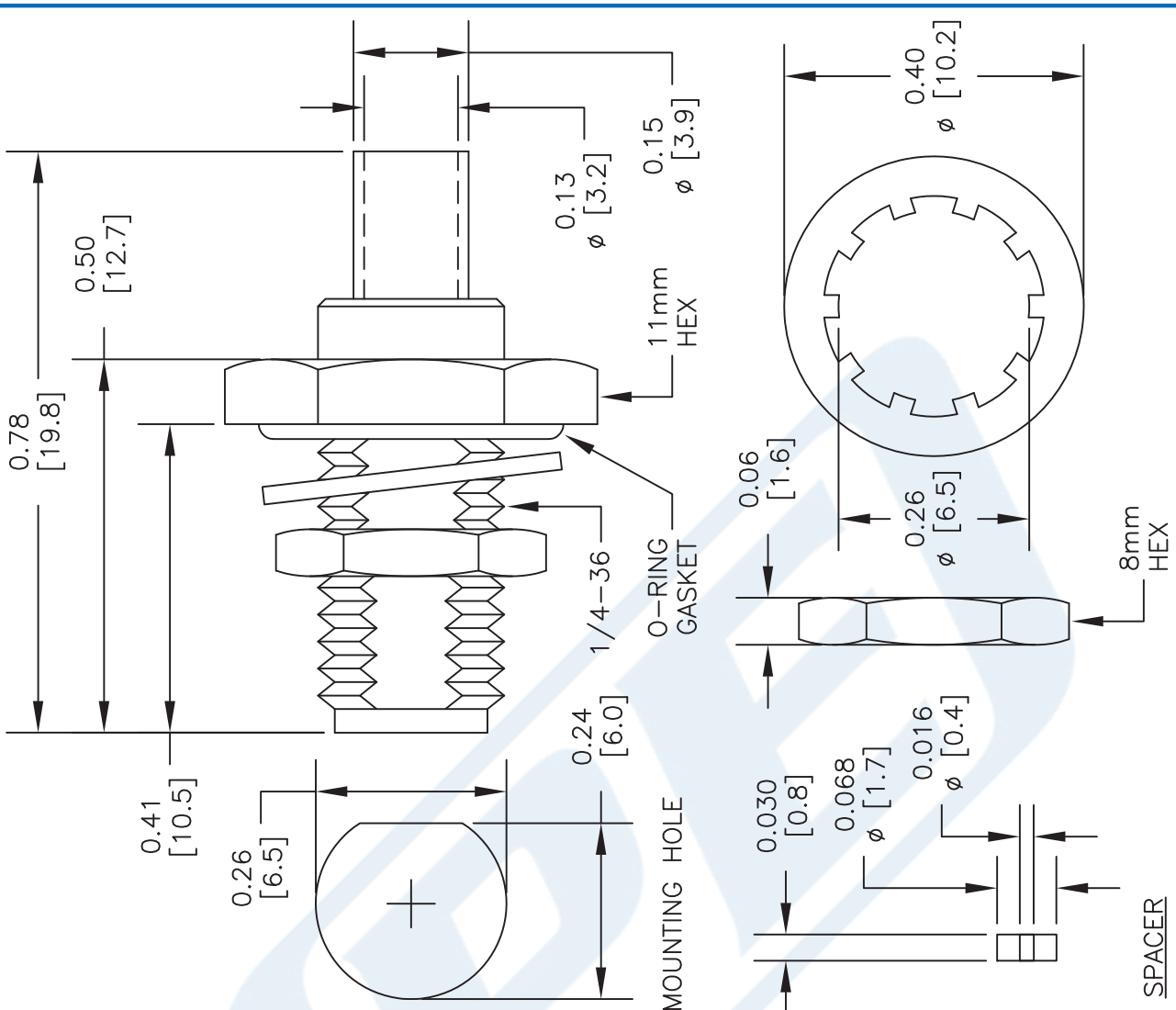
Click the following link (or enter part number in "SEARCH" on website) to obtain additional part information including price, inventory and certifications: [RP-SMA Female Bulkhead Mount Connector Crimp/Solder Attachment for RG196, RG178 PE45004](#)

URL: <https://www.pasternack.com/sma-female-reverse-polarity-rg196-rg178-connector-pe45004-p.aspx>

The information contained in this document is accurate to the best of our knowledge and representative of the part described herein. It may be necessary to make modifications to the part and/or the documentation of the part, in order to implement improvements. Pasternack reserves the right to make such changes as required. Unless otherwise stated, all specifications are nominal. Pasternack does not make any representation or warranty regarding the suitability of the part described herein for any particular purpose, and Pasternack does not assume any liability arising out of the use of any part or documentation.

PE45004 CAD Drawing

RP-SMA Female Bulkhead Mount Connector Crimp/Solder Attachment for RG196, RG178



- ASSEMBLY PROCEDURES**
1. STRIP CABLE AS SHOWN. DO NOT NICK CENTER CONDUCTOR & DIELECTRIC.
 - 0.118 [3.0] (strip length)
 - 0.067 [1.7] (strip width)
 - 0.283 [7.2] (total length)
 2. SLIDE FERRULE (1) OVER CABLE. FLAIR BRAID BACK OVER FERRULE (1). SLIDE SPACER (2) OVER DIELECTRIC. SOLDER CONTACT (3) TO CENTER CONDUCTOR.
 - 1: FERRULE
 - 2: SPACER
 - 3: SOLDER CONTACT
 3. CLEAN EXCESS SOLDER. SLIDE ASSEMBLY INTO BODY. SLIDE FERRULE (1) INTO BODY. ALLOW .05" CRIMP SPACE BEFORE BODY (4).
 - 1: FERRULE
 - 2: SPACER
 - 3: SOLDER CONTACT
 - 4: CRIMP
- CRIMP SIZE REQUIRED**
- CONTACT: SOLDER
 FERRULE: .128" HEX CRIMP TOOL

NOTES:
 1. UNLESS OTHERWISE SPECIFIED ALL DIMENSIONS ARE NOMINAL.
 2. ALL SPECIFICATIONS ARE SUBJECT TO CHANGE WITHOUT NOTICE AT ANY TIME.
 3. DIMENSIONS ARE IN INCHES [mm].
 4. FITS MIL-C-17 AND EQUIVALENT CABLES.

DWG TITLE
PE45004

FSCM NO. 53919

CAD FILE 051216

SCALE N/A

SIZE A

2233

PE PASTERNAK®
 THE ENGINEER'S RF SOURCE

Pasternack Enterprises, Inc.
 P.O. Box 16759 | Irvine | CA | 92623

Phone: (949) 261-1920 | Fax: (949) 261-7451
 Website: www.pasternack.com | E-Mail: sales@pasternack.com

Flexible RG178 Coax Cable Single Shielded with Tan FEP Jacket

RF Cables Technical Data Sheet

RG178B/U

Configuration

- Flexible Cable
- 1 Shield(s)

Electrical Specifications

| Description | Minimum | Typical | Maximum | Units |
|-------------------------|---------|--------------|---------|--------------|
| Frequency Range | DC | | 3 | GHz |
| Impedance | | 50 | | Ohms |
| Velocity of Propagation | | 70 | | % |
| Operating Voltage (AC) | | | 1,000 | Vrms |
| Nominal Capacitance | | 29.4 [96.46] | | pF/ft [pF/m] |

Performance by Frequency Band

| Description | F1 | F2 | F3 | F4 | F5 | Units |
|------------------|-------|-------|-------|--------|----|----------|
| Frequency | 0.1 | 0.4 | 1 | 3 | | GHz |
| Attenuation, Typ | 13.81 | 27.8 | 44.41 | 78.4 | | dB/100ft |
| | 45.31 | 91.21 | 145.7 | 257.22 | | dB/100m |

Mechanical Specifications

| | |
|-----------------------------|--------------------------|
| Diameter | 0.072 in [1.83 mm] |
| Weight | 0.005 lbs/ft [0.01 Kg/m] |
| Min. Bend Radius (Repeated) | 0.4 in [10.16 mm] |

Construction Specifications

| Description | Material and Plating | Diameter |
|-----------------|--------------------------------------|--------------------|
| Inner Conductor | Copper Clad Steel, Silver, 7 Strands | 0.012 in [0.3 mm] |
| Conductor Type | Stranded | |
| Dielectric | PTFE | 0.034 in [0.86 mm] |
| First Shield | Silver Plated Copper Braid | 0.051 in [1.3 mm] |

Click the following link (or enter part number in "SEARCH" on website) to obtain additional part information including price, inventory and certifications: [Flexible RG178 Coax Cable Single Shielded with Tan FEP Jacket RG178B/U](#)

Flexible RG178 Coax Cable Single Shielded with Tan FEP Jacket

RF Cables Technical Data Sheet

RG178B/U

| | | |
|--------|----------|--------------------|
| Jacket | FEP, Tan | 0.072 in [1.83 mm] |
|--------|----------|--------------------|

Environmental Specifications

Temperature

Operating Range -55 to +200 deg C

Compliance Certifications (see [product page](#) for current document)

Plotted and Other Data

Notes:

Flexible RG178 Coax Cable Single Shielded with Tan FEP Jacket from Pasternack Enterprises has same day shipment for domestic and International orders. Our RF, microwave and millimeter wave products maintain a 99.4% availability and are part of the broadest selection in the industry.

Click the following link (or enter part number in "SEARCH" on website) to obtain additional part information including price, inventory and certifications: [Flexible RG178 Coax Cable Single Shielded with Tan FEP Jacket RG178B/U](#)

URL: <https://www.pasternack.com/flexible-0.075-rg178-50-ohm-coax-cable-fep-jacket-rg178b-u-p.aspx>

The information contained in this document is accurate to the best of our knowledge and representative of the part described herein. It may be necessary to make modifications to the part and/or the documentation of the part, in order to implement improvements. Pasternack reserves the right to make such changes as required. Unless otherwise stated, all specifications are nominal. Pasternack does not make any representation or warranty regarding the suitability of the part described herein for any particular purpose, and Pasternack does not assume any liability arising out of the use of any part or documentation.

RG178B/U CAD Drawing

Flexible RG178 Coax Cable Single Shielded with Tan FEP Jacket



NOTES:
1. UNLESS OTHERWISE SPECIFIED ALL DIMENSIONS ARE NOMINAL.
2. ALL SPECIFICATIONS ARE SUBJECT TO CHANGE WITHOUT NOTICE AT ANY TIME.
3. DIMENSIONS ARE IN INCHES [mm].

DWG TITLE
RG178B/U

CAGE CODE 53919

CAD FILE 062117

SCALE N/A

SIZE A

2233

PE PASTERNAK
THE ENGINEER'S RF SOURCE
Pasternack Enterprises, Inc.
P.O. Box 16759 | Irvine | CA | 92623

Phone: (949) 261-1920 | Fax: (949) 261-7451

Website: www.pasternack.com | E-Mail: sales@pasternack.com