



N Female Connector Crimp/Solder Attachment 4 Hole
Flange Mount for RG213, RG8, .718 inch Hole Spacing

RF Connectors Technical Data Sheet

PE44065

Configuration

- N Female Connector
- 50 Ohms
- Straight Body Geometry
- RG213, RG8 Interface Type
- Crimp/Solder Attachment
- 4 Hole Flange

Mechanical Specifications

Size

| | |
|------------|---------------------|
| Length | 1.64 in [41.66 mm] |
| Width/Dia. | 1 in [25.40 mm] |
| Height | 1 in [25.4 mm] |
| Weight | 0.096 lbs [43.54 g] |

Material Specifications

| Description | Material | Plating |
|-----------------|----------|---------|
| Insulation | PTFE | |
| Outer Conductor | Brass | Nickel |
| Body | Brass | Nickel |

Compliance Certifications (visit www.Pasternack.com for current document)

RoHS Compliant

Click the following link (or enter part number in "SEARCH" on website) to obtain additional part information including price, inventory and certifications: [N Female Connector Crimp/Solder Attachment 4 Hole Flange Mount for RG213, RG8, .718 inch Hole Spacing PE44065](#)



N Female Connector Crimp/Solder Attachment 4 Hole Flange Mount for RG213, RG8, .718 inch Hole Spacing

RF Connectors Technical Data Sheet

PE44065

Plotted and Other Data

Notes:

N Female Connector Crimp/Solder Attachment 4 Hole Flange Mount for RG213, RG8, .718 inch Hole Spacing from Pasternack Enterprises has same day shipment for domestic and International orders. Our RF, microwave and millimeter wave products maintain a 99% availability and are part of the broadest selection in the industry.

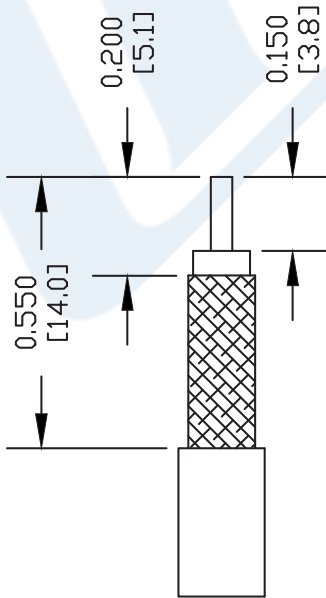
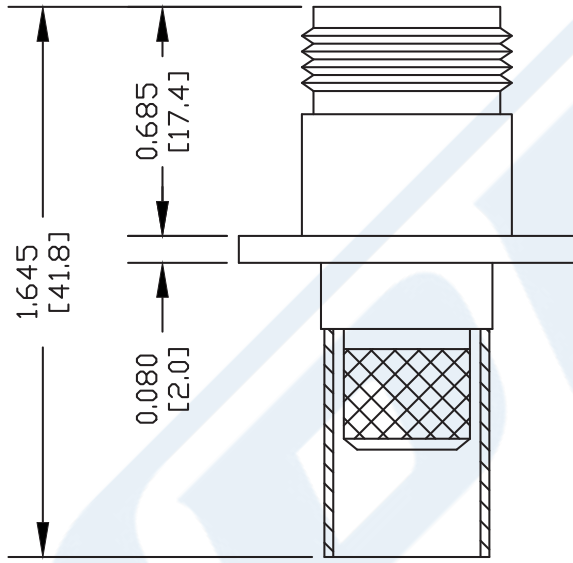
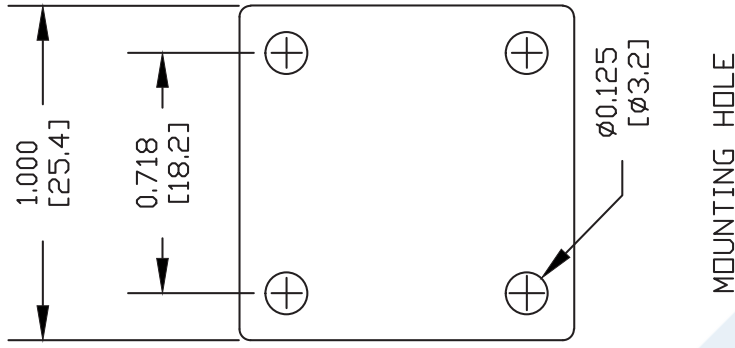
Click the following link (or enter part number in "SEARCH" on website) to obtain additional part information including price, inventory and certifications: [N Female Connector Crimp/Solder Attachment 4 Hole Flange Mount for RG213, RG8, .718 inch Hole Spacing PE44065](#)

URL: <http://www.pasternack.com/n-female-rg213-rg8-connector-pe44065-p.aspx>

The information contained in this document is accurate to the best of our knowledge and representative of the part described herein. It may be necessary to make modifications to the part and/or the documentation of the part, in order to implement improvements. Pasternack reserves the right to make such changes as required. Unless otherwise stated, all specifications are nominal. Pasternack does not make any representation or warranty regarding the suitability of the part described herein for any particular purpose, and Pasternack does not assume any liability arising out of the use of any part or documentation.

PE44065 CAD Drawing

N Female Connector Crimp/Solder Attachment 4 Hole Flange
Mount for RG213, RG8, .718 inch Hole Spacing



STRIPPING DIMENSIONS

CRIMP SIZE REQUIRED

CONTACT: SOLDER
FERRULE: .429" HEX CRIMP TOOL

NOTES:
1. UNLESS OTHERWISE SPECIFIED ALL DIMENSIONS ARE NOMINAL.
2. ALL SPECIFICATIONS ARE SUBJECT TO CHANGE WITHOUT NOTICE AT ANY TIME.
3. DIMENSIONS ARE IN INCHES [mm].
4. FITS MIL-C-17 AND EQUIVALENT CABLES.

DWG TITLE
PE44065

FSCM NO. 53919

CAD FILE 062402 SCALE N/A SIZE A 127

PE PASTERNAK®
Pasternack Enterprises, Inc.
P.O. Box 16759 | Irvine | CA | 92623
Phone: (949) 261-1920 | Fax: (949) 261-7451
Website: www.pasternack.com | E-Mail: sales@pasternack.com



N Male Right Angle Connector Crimp/ Solder Attachment for RG213, RG8

RF Connectors Technical Data Sheet

PE4482

Configuration

- N Male Connector
- MIL-STD-348A
- 50 Ohms
- Right Angle Body Geometry
- Connector Interface Types: RG213, RG8

Features

- Max. Operating Frequency 11 GHz
- Gold Plated Brass Contact
- 30 μ m minimum contact plating

Applications

- General Purpose Test
- Custom Cable Assemblies

Description

Pasternack's PE4482 type N male right angle connector with crimp/solder attachment for RG213 and RG8 is part of our full line of RF components available for same-day shipping. Our type N male connector operates up to a maximum frequency of 11 GHz. Its right angle body geometry allows for easier connections in tight spaces.

Our type N male right angle connector PE4482 datasheet specifications and drawing with dimensions are shown below in this PDF. Pasternack's broad catalog of RF, microwave and millimeter wave connectors allows designers to configure and customize their signal connections however they like. Whether the need is to provide an I/O for a board design, or simply create a custom cable assembly configuration, Pasternack has the right connector for the job. Pasternack can also expertly build your custom cable assemblies for you and ship same-day.

Electrical Specifications

| Description | Minimum | Typical | Maximum | Units |
|--------------------------------------|---------|---------|---------|-------|
| Frequency Range | DC | | 11 | GHz |
| Operating Voltage (AC) | | | 1,500 | Vrms |
| Dielectric Withstanding Voltage (AC) | | | 2,500 | Vrms |
| Inner Conductor DC Resistance | | | 1 | mOhms |
| Outer Conductor DC Resistance | | | 1 | mOhms |
| Insulation Resistance | 5,000 | | | MOhms |
| RF Leakage | 90 | | | dB |

Performance by Frequency

| Description | F1 | F2 | F3 | F4 | F5 | Units |
|---------------------|---------|----|----|----|----|-------|
| Frequency Range | DC to 6 | | | | | GHz |
| VSWR, Max | 1.5:1 | | | | | |
| Insertion Loss, Max | 0.15 | | | | | dB |

Click the following link (or enter part number in "SEARCH" on website) to obtain additional part information including price, inventory and certifications: [N Male Right Angle Connector Crimp/Solder Attachment for RG213, RG8 PE4482](#)



N Male Right Angle Connector Crimp/
Solder Attachment for RG213, RG8

RF Connectors
Technical Data Sheet

PE4482

Mechanical Specifications

| | |
|---------------|---------------------|
| Size | |
| Length | 1.99 in [50.55 mm] |
| Width/Dia. | 0.8 in [20.32 mm] |
| Height | 1.29 in [32.77 mm] |
| Weight | 0.151 lbs [68.49 g] |
| Mating Cycles | 500 Cycles |

Material Specifications

| Description | Material | Plating |
|--------------|----------|---------------------------|
| Contact | Brass | Gold 30 µin minimum |
| Insulation | PTFE | |
| Body | Brass | Nickel 100 µin minimum |
| Coupling Nut | Brass | Nickel |
| Crimp Sleeve | Brass | Nickel |

Environmental Specifications

| | |
|--------------------|--------------------------------------|
| Temperature | |
| Operating Range | -65 to +165 deg C |
| Vibration | MIL-STD-202, Method 204, Condition B |
| Temperature Cycle | MIL-STD-202, Method 107, Condition B |
| Salt Spray | MIL-STD-202, Method 101, Condition B |

Compliance Certifications (see [product page](#) for current document)

Plotted and Other Data

Notes:

Click the following link (or enter part number in "SEARCH" on website) to obtain additional part information including price, inventory and certifications: [N Male Right Angle Connector Crimp/Solder Attachment for RG213, RG8 PE4482](#)



N Male Right Angle Connector Crimp/ Solder Attachment for RG213, RG8

RF Connectors Technical Data Sheet

PE4482

N Male Right Angle Connector Crimp/Solder Attachment for RG213, RG8 from Pasternack Enterprises has same day shipment for domestic and International orders. Our RF, microwave and millimeter wave products maintain a 99.4% availability and are part of the broadest selection in the industry.

Click the following link (or enter part number in "SEARCH" on website) to obtain additional part information including price, inventory and certifications: [N Male Right Angle Connector Crimp/Solder Attachment for RG213, RG8 PE4482](https://www.pasternack.com/n-male-rg213-rg8-connector-pe4482-p.aspx)

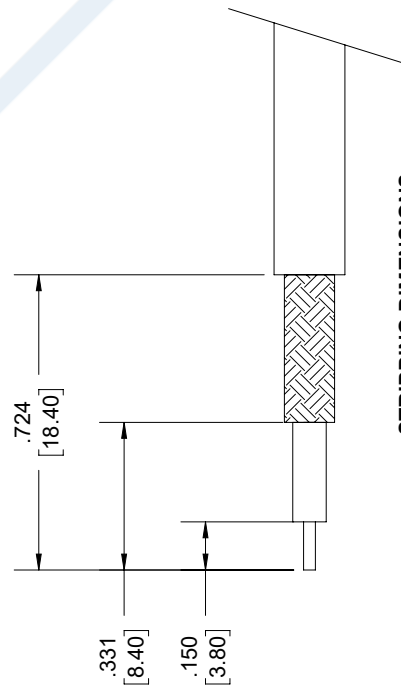
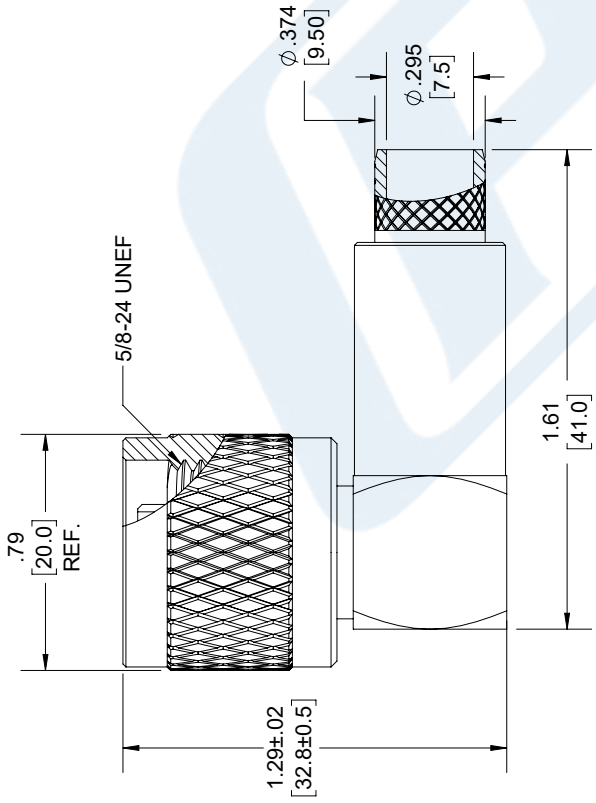
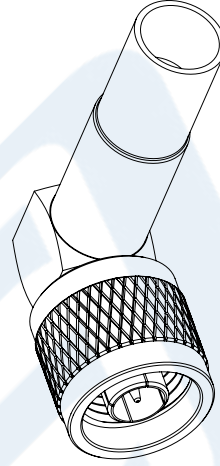
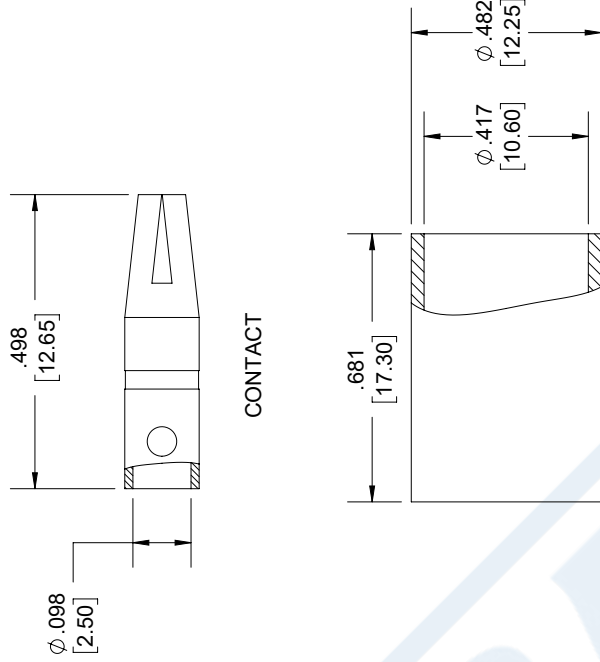
URL: <https://www.pasternack.com/n-male-rg213-rg8-connector-pe4482-p.aspx>

The information contained in this document is accurate to the best of our knowledge and representative of the part described herein. It may be necessary to make modifications to the part and/or the documentation of the part, in order to implement improvements. Pasternack reserves the right to make such changes as required. Unless otherwise stated, all specifications are nominal. Pasternack does not make any representation or warranty regarding the suitability of the part described herein for any particular purpose, and Pasternack does not assume any liability arising out of the use of any part or documentation.

PE4482 CAD Drawing

N Male Right Angle Connector Crimp/Solder Attachment for RG213, RG8

| REVISIONS | | |
|-----------|-----------------|-----------|
| REV. | DESCRIPTION | DATE |
| C | PE4482 20220525 | 6/14/2022 |
| | | APPROVED |
| | | AMARG |



STRIPPING DIMENSIONS

- NOTES:
- CABLE ATTACHMENT:
 - OUTER: CRIMP.
 - INNER: SOLDER.
 - CRIMP SIZE REQUIRED:
 - FERRULE: .429 [10.90] HEX. CRIMP TOOL.

UNLESS OTHERWISE SPECIFIED LEADING DIMENSIONS ARE INCHES DIMENSIONS IN [] ARE MILLIMETERS

TOLERANCES:

| | | |
|--------------|--------|-------------|
| .X = ±.2 | [5.08] | FRACTIONS |
| .XX = ±.02 | [.51] | ± 1/32 |
| .XXX = ±.005 | [.13] | ANGLES ± 1° |

CABLE LENGTH (L) TOLERANCES:

| | | |
|----------------------|--------|-----------------|
| L ≤ 12 | [305] | = +1 [25] / -0 |
| 12 [305] < L ≤ 60 | [1524] | = +2 [51] / -0 |
| 60 [1524] < L ≤ 120 | [3048] | = +4 [102] / -0 |
| 120 [3048] < L ≤ 300 | [7620] | = +6 [152] / -0 |
| 300 [7620] < L | | = +5%L / -0 |

ALL DIMENSIONS SHOWN ARE FOR REFERENCE ONLY.

THIRD-ANGLE PROJECTION

THE INFORMATION AND DESIGN IN THIS DOCUMENT IS THE PROPERTY OF PASTERNAK CORPORATION ALL RIGHTS RESERVED.

SHEET 1 OF 1

SCALE N/A

PE PASTERNAK
an INFINITI® brand

Pasternack Enterprises, Inc.
P. O. Box 16759, Irvine, CA 92623.
Phone: 1.949.261.1920 | 1.866.727.8376
Fax: 1.949.261.7451
Website: www.pasternack.com
E-mail: sales@pasternack.com

ITEM NO. PE4482

SIZE A CAGE CODE 53919 DRAWN BY WZHANG

REV C



Flexible RG213 Coax Cable Single Shielded with Black PVC Jacket

TECHNICAL DATA SHEET

RG213/U

Configuration

| | |
|--------------------------------------|--------------|
| Inner Conductor Material and Plating | Copper |
| Dielectric Type | PE |
| Shield Materials | Copper Braid |
| Jacket Material and Color | PVC, Black |

Electrical Specifications

| | |
|----------------------------------|---------------|
| Impedance, Ohms | 50 |
| Velocity of Propagation, % | 66 |
| Maximum Operating Frequency, MHz | 1000 |
| Capacitance, pF/ft [pF/m] | 30.8 [101.05] |

Electrical Specifications by Frequency

Frequency 1

| | |
|---------------------------------|------------|
| Frequency, MHz | 100 |
| Attenuation, dB/100ft [dB/100m] | 2.1 [6.89] |

Frequency 2

| | |
|---------------------------------|-------------|
| Frequency, MHz | 400 |
| Attenuation, dB/100ft [dB/100m] | 4.8 [15.75] |

Frequency 3

| | |
|---------------------------------|-----------|
| Frequency, MHz | 1000 |
| Attenuation, dB/100ft [dB/100m] | 8 [26.25] |

Mechanical Specifications

Inner Conductor

| | |
|-------------------|-------------|
| Number of Strands | 7 |
| Material | Copper |
| Diameter, in [mm] | 0.09 [2.29] |

Dielectric:

| | |
|-------------------|--------------|
| Type | PE |
| Diameter, in [mm] | 0.285 [7.24] |

Shield:

| | |
|-------------------|--------------|
| Number of | 1 |
| Material 1 | Copper Braid |
| Diameter, in [mm] | 0.314 [7.98] |

Click the following link (or enter part number in "SEARCH" on website) to obtain additional part information including price, inventory and certifications: [Flexible RG213 Coax Cable Single Shielded with Black PVC Jacket RG213/U](#)



Flexible RG213 Coax Cable Single
Shielded with Black PVC Jacket

TECHNICAL DATA SHEET

RG213/U

Jacket:

| | |
|-----------------------|---------------|
| Material | PVC |
| Diameter, in [mm] | 0.405 [10.29] |
| Color | Black |
| Weight, lbs/ft [Kg/m] | 0.115 [0.17] |

Compliance Certifications (visit www.Pasternack.com for current document)

| | |
|-----------------|------------|
| RoHS Compliant | |
| REACH Compliant | 06/18/2012 |

Plotted and Other Data

Notes:

- Values at +25 °C, sea level
- Max. Operating Voltage(VRMS): 5000

Flexible RG213 Coax Cable Single Shielded with Black PVC Jacket from Pasternack Enterprises has same day shipment for domestic and International orders. Our RF, microwave and millimeter wave products maintain a 99% availability and are part of the broadest selection in the industry.

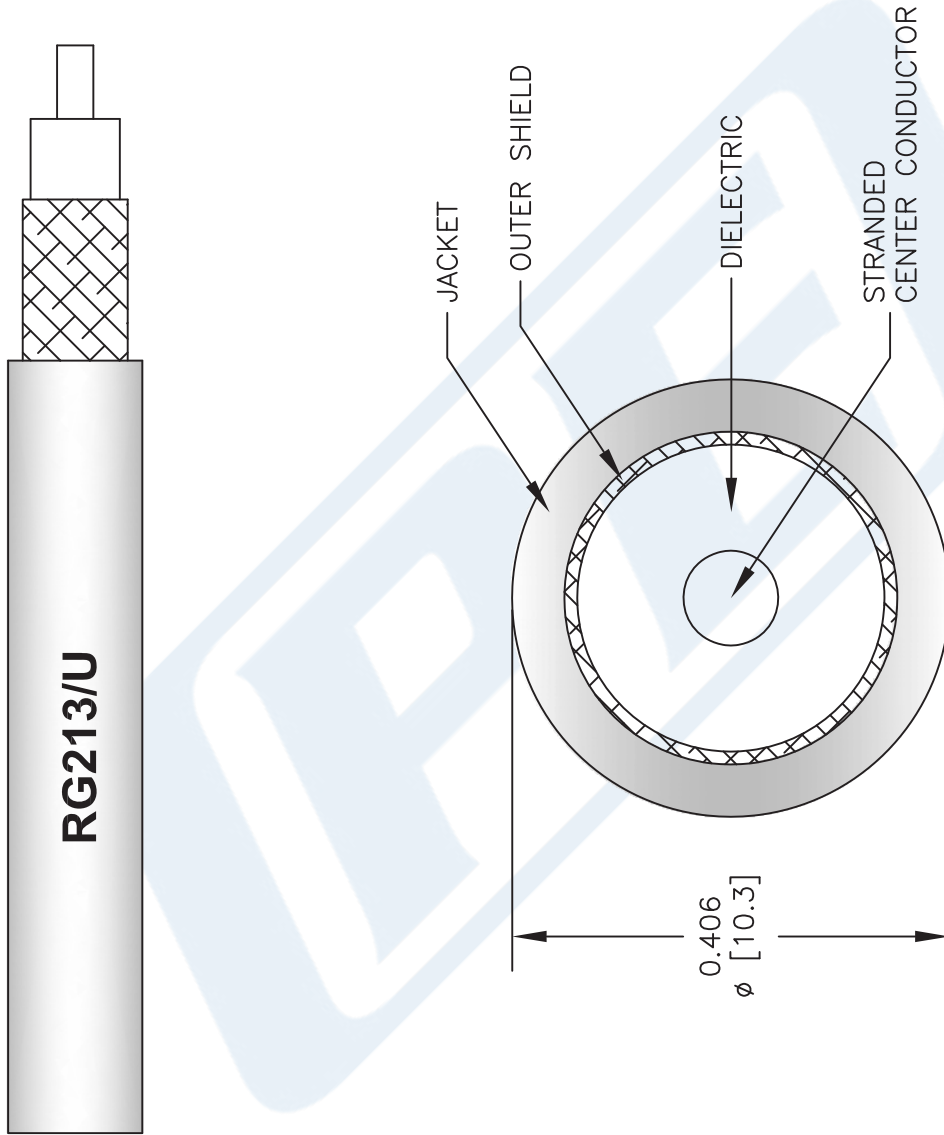
Click the following link (or enter part number in "SEARCH" on website) to obtain additional part information including price, inventory and certifications: [Flexible RG213 Coax Cable Single Shielded with Black PVC Jacket RG213/U](#)

URL: <http://www.pasternack.com/flexible-0.405-rg213-50-ohm-coax-cable-pvc-jacket-rg213-u-p.aspx>

The information contained in this document is accurate to the best of our knowledge and representative of the part described herein. It may be necessary to make modifications to the part and/or the documentation of the part, in order to implement improvements. Pasternack reserves the right to make such changes as required. Unless otherwise stated, all specifications are nominal. Pasternack does not make any representation or warranty regarding the suitability of the part described herein for any particular purpose, and Pasternack does not assume any liability arising out of the use of any part or documentation.

RG213/U CAD Drawing

Flexible RG213 Coax Cable Single Shielded with Black PVC Jacket



NOTES:
1. UNLESS OTHERWISE SPECIFIED ALL DIMENSIONS ARE NOMINAL.
2. ALL SPECIFICATIONS ARE SUBJECT TO CHANGE WITHOUT NOTICE AT ANY TIME.
3. DIMENSIONS ARE IN INCHES [mm].

DWG TITLE
RG213/U

FSCM NO. 53919

2233

SIZE A

SCALE N/A

CAD FILE 061312-B



Pasternack Enterprises, Inc.
P.O. Box 16759 | Irvine | CA | 92623
Phone: (949) 261-1920 | Fax: (949) 261-7451
Website: www.pasternack.com | E-Mail: sales@pasternack.com