



## N Female Low PIM Connector Solder Attachment for SPO-375, SPF-375, SPP-375-LLPL

### RF Connectors Technical Data Sheet



**TC-375-NF-LP**

#### Times Microwave Systems Connector Specification

##### Configuration

- N Female Connector
- 50 Ohms
- Straight Body Geometry
- Connector Interface Types: SPO-375, SPF-375, SPP-375-LLPL
- Low PIM Design

##### Features

- Max. Operating Frequency 6 GHz
- Excellent VSWR of 1.25:1
- PIM levels lower than -160 dBc
- Silver Plated Phosphor Bronze Contact
- 200  $\mu$ m contact plating

##### Applications

- General Purpose Test
- Custom Cable Assemblies
- Distributed Antenna Systems (DAS)
- Wireless Communications
- Low PIM Applications

##### Description

Times Microwave's TC-375-NF-LP type N female connector offered by Pasternack with solder/solder attachment for Times' SPO-375, SPF-375 and SPP-375-LLPL is part of our full line of RF components available for same-day shipping. Times Microwave's type N female connector operates up to a maximum frequency of 6 GHz and offers excellent VSWR of 1.25:1. The Times type N female connector also has low passive intermodulation of -160 dBc.

Times Microwave's type N female connector TC-375-NF-LP datasheet specifications and drawing with dimensions are shown below in this PDF. Pasternack's broad catalog of RF, microwave and millimeter wave connectors allows designers to configure and customize their signal connections however they like. Whether the need is to provide an I/O for a board design, or simply create a custom cable assembly configuration, Pasternack has the right connector for the job. Pasternack can also expertly build your custom cable assemblies for you and ship same-day.

##### Electrical Specifications

Description	Minimum	Typical	Maximum	Units
Frequency Range	DC		6	GHz
VSWR			1.25:1	
Insertion Loss			0.244	dB
Passive Intermodulation			-160	dBc
Operating Voltage (DC)			2,000	Vdc
Dielectric Withstanding Voltage (AC)			1,000	Vrms
Insulation Resistance	5,000			MOhms

Click the following link (or enter part number in "SEARCH" on website) to obtain additional part information including price, inventory and certifications: [N Female Low PIM Connector Solder Attachment for SPO-375, SPF-375, SPP-375-LLPL TC-375-NF-LP](#)



N Female Low PIM Connector Solder Attachment  
for SPO-375, SPF-375, SPP-375-LLPL

**RF Connectors**  
**Technical Data Sheet**



**TC-375-NF-LP**

**Mechanical Specifications**

<b>Size</b>	
Length	1.26 in [32 mm]
Width/Dia.	0.69 in [17.53 mm]
Height	0.69 in [17.53 mm]
Weight	0.0785 lbs [35.61 g]
Mating Cycles	500 Cycles
Mating Torque	6 to 10 in-lbs [0.68 to 1.13 Nm]
Cable Retention Force	113 lbs 51.26 kg

**Material Specifications**

Description	Material	Plating
Contact	Phosphor Bronze	Silver 200 µin
Insulation	PTFE	
Outer Conductor	Brass	Tri-Metal 80 µin
Body	Brass	Tri-Metal 80 µin

**Environmental Specifications**

<b>Temperature</b>	
Operating Range	-40 to +125 deg C
Shock	US MIL-STD 202
Vibration	US MIL-STD 202
Thermal Shock	US MIL-STD 202

Environmental Specification Notes:  
IEC 60068 55/155/21

**Compliance Certifications** (see [product page](#) for current document)

**Plotted and Other Data**

Notes:

Click the following link (or enter part number in "SEARCH" on website) to obtain additional part information including price, inventory and certifications: [N Female Low PIM Connector Solder Attachment for SPO-375, SPF-375, SPP-375-LLPL TC-375-NF-LP](#)



## N Female Low PIM Connector Solder Attachment for SPO-375, SPF-375, SPP-375-LLPL

### RF Connectors Technical Data Sheet



**TC-375-NF-LP**

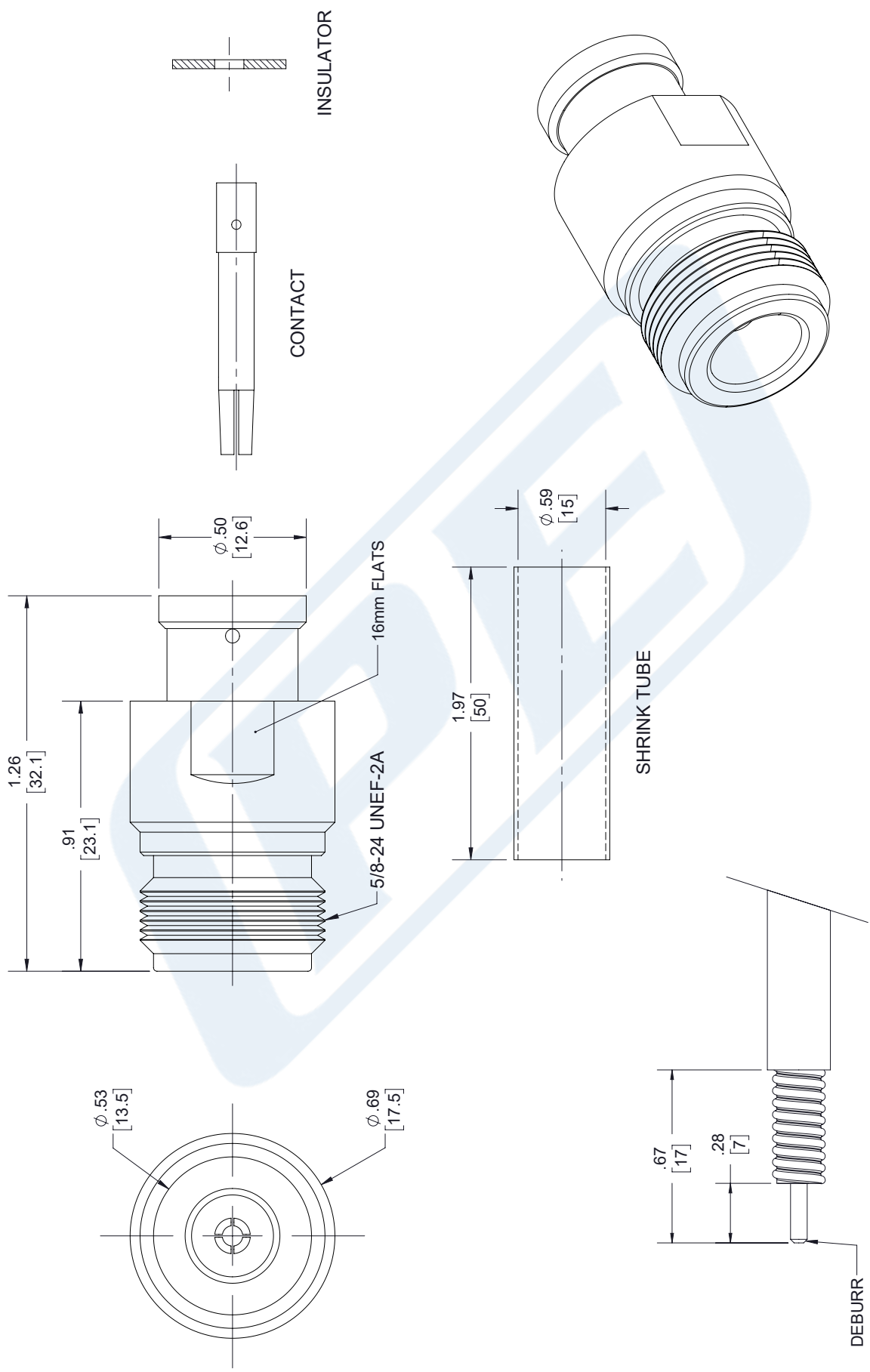
N Female Low PIM Connector Solder Attachment for SPO-375, SPF-375, SPP-375-LLPL from Pasternack Enterprises has same day shipment for domestic and International orders. Our RF, microwave and millimeter wave products maintain a 99.4% availability and are part of the broadest selection in the industry.

Click the following link (or enter part number in "SEARCH" on website) to obtain additional part information including price, inventory and certifications: [N Female Low PIM Connector Solder Attachment for SPO-375, SPF-375, SPP-375-LLPL TC-375-NF-LP](https://www.pasternack.com/n-female-spo-375-spf-375-connector-tc-375-nf-lp-p.aspx)

URL: <https://www.pasternack.com/n-female-spo-375-spf-375-connector-tc-375-nf-lp-p.aspx>

The information contained in this document is accurate to the best of our knowledge and representative of the part described herein. It may be necessary to make modifications to the part and/or the documentation of the part, in order to implement improvements. Pasternack reserves the right to make such changes as required. Unless otherwise stated, all specifications are nominal. Pasternack does not make any representation or warranty regarding the suitability of the part described herein for any particular purpose, and Pasternack does not assume any liability arising out of the use of any part or documentation.

REVISIONS		
REV.	DESCRIPTION	DATE
A	INITIAL RELEASE	9/7/21
		APPROVED
		SRAUTUS



<p><b>PE PASTERNAK</b>  an INFINITO brand</p> <p>Pasternack Enterprises, Inc.  P.O. Box 16759, Irvine, CA 92623.  Phone: 1.949.261.1920   1.866.727.8376  Fax: 1.949.261.7451  www.pasternack.com   e-mail: sales@pasternack.com</p>	<p>THE INFORMATION AND DESIGN IN THIS DOCUMENT IS THE PROPERTY OF PASTERNAK CORPORATION. ALL RIGHTS RESERVED.</p>
	<p>SHEET 1 OF 1</p> <p>SCALE N/A</p>
<p>UNLESS OTHERWISE SPECIFIED LEADING DIMENSIONS ARE INCHES DIMENSIONS IN [ ] ARE MILLIMETERS</p> <p>TOLERANCES:  X±.2 [5.08] FRACTIONS  XX±.01 [ .25] ±.132  XXX±.005 [ .13] ANGLES ± 1°</p> <p>ALL DIMENSIONS SHOWN ARE FOR REFERENCE ONLY.</p> <p>THIRD-ANGLE PROJECTION</p>	<p>REV A</p>
<p>SIZE A</p> <p>CAGE DRAWN BY 53919 DMAY</p> <p>PART NUMBER TC-375-NF-LP</p>	<p>REV A</p>

**STRIPPING DIMENSIONS**

NOTES:

- CABLE ATTACHMENT:
  - OUTER: SOLDER.
  - INNER: SOLDER.

THESE COMMODITIES, TECHNOLOGY OR SOFTWARE WERE EXPORTED FROM THE UNITED STATES IN ACCORDANCE WITH THE EXPORT ADMINISTRATION REGULATIONS. DIVERSION CONTRARY TO U.S. LAW PROHIBITED.



## N Female Low PIM Connector Solder Attachment for SPO-375, SPF-375, SPP-375-LLPL

### RF Connectors Technical Data Sheet



**TC-375-NF-LP**

#### Times Microwave Systems Connector Specification

##### Configuration

- N Female Connector
- 50 Ohms
- Straight Body Geometry
- Connector Interface Types: SPO-375, SPF-375, SPP-375-LLPL
- Low PIM Design

##### Features

- Max. Operating Frequency 6 GHz
- Excellent VSWR of 1.25:1
- PIM levels lower than -160 dBc
- Silver Plated Phosphor Bronze Contact
- 200 µin contact plating

##### Applications

- General Purpose Test
- Custom Cable Assemblies
- Distributed Antenna Systems (DAS)
- Wireless Communications
- Low PIM Applications

##### Description

Times Microwave's TC-375-NF-LP type N female connector offered by Pasternack with solder/solder attachment for Times' SPO-375, SPF-375 and SPP-375-LLPL is part of our full line of RF components available for same-day shipping. Times Microwave's type N female connector operates up to a maximum frequency of 6 GHz and offers excellent VSWR of 1.25:1. The Times type N female connector also has low passive intermodulation of -160 dBc.

Times Microwave's type N female connector TC-375-NF-LP datasheet specifications and drawing with dimensions are shown below in this PDF. Pasternack's broad catalog of RF, microwave and millimeter wave connectors allows designers to configure and customize their signal connections however they like. Whether the need is to provide an I/O for a board design, or simply create a custom cable assembly configuration, Pasternack has the right connector for the job. Pasternack can also expertly build your custom cable assemblies for you and ship same-day.

##### Electrical Specifications

Description	Minimum	Typical	Maximum	Units
Frequency Range	DC		6	GHz
VSWR			1.25:1	
Insertion Loss			0.244	dB
Passive Intermodulation			-160	dBc
Operating Voltage (DC)			2,000	Vdc
Dielectric Withstanding Voltage (AC)			1,000	Vrms
Insulation Resistance	5,000			MOhms

Click the following link (or enter part number in "SEARCH" on website) to obtain additional part information including price, inventory and certifications: [N Female Low PIM Connector Solder Attachment for SPO-375, SPF-375, SPP-375-LLPL TC-375-NF-LP](#)



N Female Low PIM Connector Solder Attachment  
for SPO-375, SPF-375, SPP-375-LLPL

**RF Connectors**  
**Technical Data Sheet**



**TC-375-NF-LP**

**Mechanical Specifications**

<b>Size</b>	
Length	1.26 in [32 mm]
Width/Dia.	0.69 in [17.53 mm]
Height	0.69 in [17.53 mm]
Weight	0.0785 lbs [35.61 g]
Mating Cycles	500 Cycles
Mating Torque	6 to 10 in-lbs [0.68 to 1.13 Nm]
Cable Retention Force	113 lbs 51.26 kg

**Material Specifications**

Description	Material	Plating
Contact	Phosphor Bronze	Silver 200 µin
Insulation	PTFE	
Outer Conductor	Brass	Tri-Metal 80 µin
Body	Brass	Tri-Metal 80 µin

**Environmental Specifications**

<b>Temperature</b>	
Operating Range	-40 to +125 deg C
Shock	US MIL-STD 202
Vibration	US MIL-STD 202
Thermal Shock	US MIL-STD 202

Environmental Specification Notes:  
IEC 60068 55/155/21

**Compliance Certifications** (see [product page](#) for current document)

**Plotted and Other Data**

Notes:

Click the following link (or enter part number in "SEARCH" on website) to obtain additional part information including price, inventory and certifications: [N Female Low PIM Connector Solder Attachment for SPO-375, SPF-375, SPP-375-LLPL TC-375-NF-LP](#)



## N Female Low PIM Connector Solder Attachment for SPO-375, SPF-375, SPP-375-LLPL

### RF Connectors Technical Data Sheet



**TC-375-NF-LP**

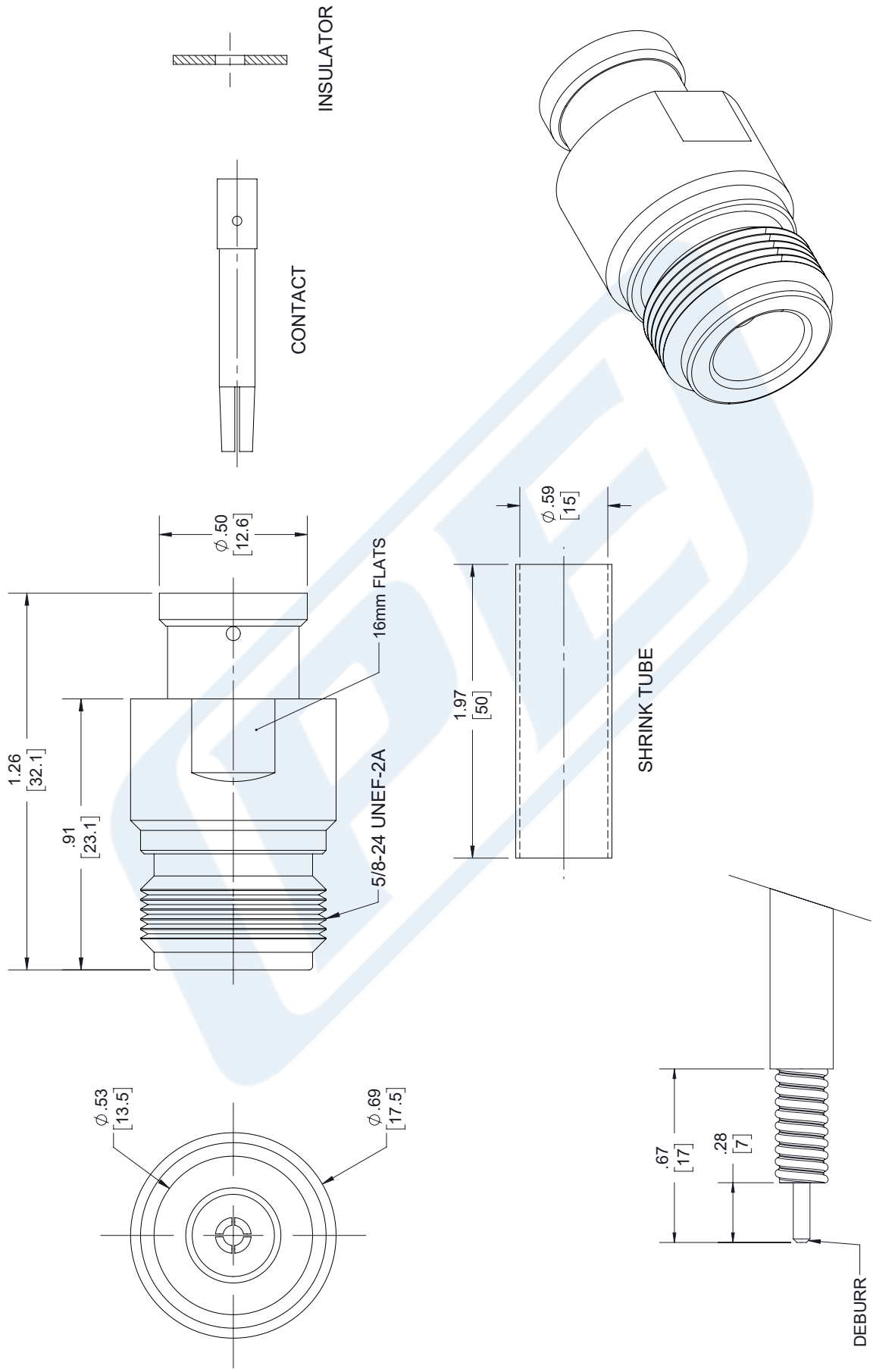
N Female Low PIM Connector Solder Attachment for SPO-375, SPF-375, SPP-375-LLPL from Pasternack Enterprises has same day shipment for domestic and International orders. Our RF, microwave and millimeter wave products maintain a 99.4% availability and are part of the broadest selection in the industry.

Click the following link (or enter part number in "SEARCH" on website) to obtain additional part information including price, inventory and certifications: [N Female Low PIM Connector Solder Attachment for SPO-375, SPF-375, SPP-375-LLPL TC-375-NF-LP](https://www.pasternack.com/n-female-spo-375-spf-375-connector-tc-375-nf-lp-p.aspx)

URL: <https://www.pasternack.com/n-female-spo-375-spf-375-connector-tc-375-nf-lp-p.aspx>

The information contained in this document is accurate to the best of our knowledge and representative of the part described herein. It may be necessary to make modifications to the part and/or the documentation of the part, in order to implement improvements. Pasternack reserves the right to make such changes as required. Unless otherwise stated, all specifications are nominal. Pasternack does not make any representation or warranty regarding the suitability of the part described herein for any particular purpose, and Pasternack does not assume any liability arising out of the use of any part or documentation.

REVISIONS			
REV.	DESCRIPTION	DATE	APPROVED
A	INITIAL RELEASE	9/7/21	SRAUTUS



<p><b>PE PASTERNAK</b>  an INFINITO brand</p> <p>Pasternack Enterprises, Inc.  P.O. Box 16759, Irvine, CA 92623.  Phone: 1.949.261.1920   1.866.727.8376  Fax: 1.949.261.7451  www.pasternack.com   e-mail: sales@pasternack.com</p>	<p>THE INFORMATION AND DESIGN IN THIS DOCUMENT IS THE PROPERTY OF PASTERNAK CORPORATION. ALL RIGHTS RESERVED.</p>
	<p>SHEET 1 OF 1</p> <p>SCALE N/A</p>
<p>UNLESS OTHERWISE SPECIFIED LEADING DIMENSIONS ARE INCHES DIMENSIONS IN [ ] ARE MILLIMETERS</p> <p>TOLERANCES:  X±.2 [5.08] FRACTIONS  XX±.01 [ .25] ±.132  XXX±.005 [ .13] ANGLES ± 1°</p> <p>ALL DIMENSIONS SHOWN ARE FOR REFERENCE ONLY.</p> <p>THIRD-ANGLE PROJECTION</p>	<p>REV A</p>
<p>SIZE A</p> <p>CAGE DRAWN BY 53919 DMAY</p> <p>PART NUMBER TC-375-NF-LP</p>	<p>REV A</p>

**STRIPPING DIMENSIONS**

**NOTES:**

- CABLE ATTACHMENT:
  - OUTER: SOLDER.
  - INNER: SOLDER.

THESE COMMODITIES, TECHNOLOGY OR SOFTWARE WERE EXPORTED FROM THE UNITED STATES IN ACCORDANCE WITH THE EXPORT ADMINISTRATION REGULATIONS. DIVERSION CONTRARY TO U.S. LAW PROHIBITED.



# Low Loss SPO-375 Rated Corrugated Coax Cable with Black PE Jacket Superflexible Outdoor Rated

## RF Cables Technical Data Sheet

### Times Microwave Systems Coax Cable Specification

#### Configuration

- Low Loss Corrugated Cable
- 1 Shield(s)

#### Features

- PIM < -160 dBc
- Lightweight and Super Flexible
- Low Loss Dielectric 83% VoP
- Shielding > 100 dB
- Durable Black Polyethylene Outer Jacket
- Outdoor Rated

#### Applications

- Distributed Antenna Systems (DAS)
- Antenna Installations
- Small Cell
- Outdoor Applications
- Commination Tower Install

#### Description

SPO-375 low loss outdoor rated coax cable by Times Microwave is part of our full line of RF components available for same-day shipping. The SPO-375 coaxial cable features a low loss dielectric with an 83% velocity of propagation (VoP), BCCAL center conductor and a helically corrugated, copper outer conductor. These features combine to make the Times Microwave SPO-375 a superflexible, low PIM coax cable that is well suited for use as an antenna jumper cable, Distributed Antenna Systems (DAS), small cell, and other outdoor applications. The tough, black polyethylene jacket provides moisture and UV protection and is suitable for outdoor use.

Our datasheet specifications and drawing with dimensions for Times Microwave SPO-375 coax cable are shown below in this PDF. Whether the need is to provide a low PIM jumper connection, low PIM feeder cable or simply create a custom cable assembly configuration, Pasternack has the right SPO-375 cable assembly for the job. See our web site to find the right connector cable combination for your application.

#### Electrical Specifications

Description	Minimum	Typical	Maximum	Units
Frequency Range	DC		6	GHz
Impedance		50		Ohms
Velocity of Propagation		83		%
Passive Intermodulation			-158	dBc
Nominal Capacitance		24 [78.74]		pF/ft [pF/m]

Click the following link (or enter part number in "SEARCH" on website) to obtain additional part information including price, inventory and certifications: [Low Loss SPO-375 Rated Corrugated Coax Cable with Black PE Jacket Superflexible Outdoor Rated SPO-375](#)



## Low Loss SPO-375 Rated Corrugated Coax Cable with Black PE Jacket Superflexible Outdoor Rated

### RF Cables Technical Data Sheet

#### Performance by Frequency Band

Description	F1	F2	F3	F4	F5	Units
Frequency	0.5	1	2	6		GHz
Attenuation, Typ	2.96	4.33	6.23	11.62		dB/100ft
	9.71	14.21	20.44	38.12		dB/100m
Input Power (CW), Max	970	740	510	220		Watts

#### Mechanical Specifications

Diameter	0.43 in [10.92 mm]
Weight	0.132 lbs/ft [0.2 Kg/m]
Min. Bend Radius (Installation)	1.75 in [44.45 mm]

#### Construction Specifications

Description	Material and Plating	Diameter
Inner Conductor	Copper Clad Aluminum <sup>1</sup>	0.11 in 2.79 mm
Conductor Type	Solid	
Dielectric	Foam PE	0.27 in 6.86 mm
Outer Conductor	Copper Corrugated	0.38 in 9.65 mm
Jacket	PE, Black	0.43 in [10.92 mm]

#### Environmental Specifications

<b>Temperature</b>	
Operating Range	-40 to +85 deg C

Click the following link (or enter part number in "SEARCH" on website) to obtain additional part information including price, inventory and certifications: [Low Loss SPO-375 Rated Corrugated Coax Cable with Black PE Jacket Superflexible Outdoor Rated SPO-375](#)



## Low Loss SPO-375 Rated Corrugated Coax Cable with Black PE Jacket Superflexible Outdoor Rated

### RF Cables Technical Data Sheet

**Compliance Certifications** (see [product page](#) for current document)

#### Plotted and Other Data

Notes:

Low Loss SPO-375 Rated Corrugated Coax Cable with Black PE Jacket Superflexible Outdoor Rated from Pasternack Enterprises has same day shipment for domestic and International orders. Our RF, microwave and millimeter wave products maintain a 99.4% availability and are part of the broadest selection in the industry.

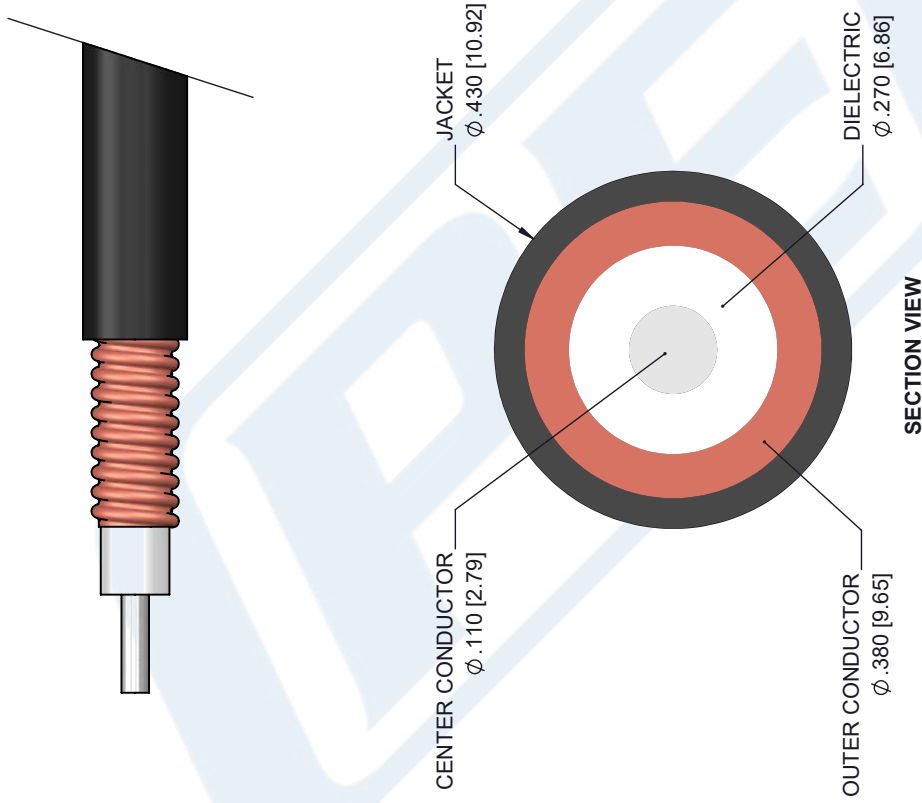
Click the following link (or enter part number in "SEARCH" on website) to obtain additional part information including price, inventory and certifications: [Low Loss SPO-375 Rated Corrugated Coax Cable with Black PE Jacket Superflexible Outdoor Rated SPO-375](#)

URL: <https://www.pasternack.com/low-loss-corrugated-spo375-pe-jacket-spo-375-p.aspx>

The information contained in this document is accurate to the best of our knowledge and representative of the part described herein. It may be necessary to make modifications to the part and/or the documentation of the part, in order to implement improvements. Pasternack reserves the right to make such changes as required. Unless otherwise stated, all specifications are nominal. Pasternack does not make any representation or warranty regarding the suitability of the part described herein for any particular purpose, and Pasternack does not assume any liability arising out of the use of any part or documentation.

**TIMES** MICROWAVE SYSTEMS **SPO-375 CAD Drawing**  
 Low Loss SPO-375 Rated Corrugated Coax Cable with  
 Black PE Jacket Superflexible Outdoor Rated

REVISIONS			
REV.	DESCRIPTION	DATE	APPROVED
A	INITIAL RELEASE	03/04/19	S. ELLIS



UNLESS OTHERWISE SPECIFIED LEADING DIMENSIONS ARE INCHES DIMENSIONS IN [ ] ARE MILLIMETERS TOLERANCES: X±.2 [5.08] FRACTIONS XX±.01 [.25] +1/32 .XXX±.005 [1.13] ANGLES ± 1° ALL DIMENSIONS SHOWN ARE FOR REFERENCE ONLY. THIRD-ANGLE PROJECTION		THE INFORMATION AND DESIGN IN THIS DOCUMENT IS THE PROPERTY OF PASTERNAK CORPORATION. ALL RIGHTS RESERVED. SHEET 1 OF 1 SCALE N/A
SIZE A CAGE 53919 DRAWN BY K.DANG	PART NUMBER SPO-375	REV A

THESE COMMODITIES, TECHNOLOGY OR SOFTWARE WERE EXPORTED FROM THE UNITED STATES IN ACCORDANCE WITH THE EXPORT ADMINISTRATION REGULATIONS. DIVERSION CONTRARY TO U.S. LAW PROHIBITED.