



## SMA Male Right Angle Connector Crimp/ Solder Attachment for RG178, RG196

### RF Connectors Technical Data Sheet

PE4296

#### Configuration

- SMA Male Connector
- MIL-STD-348A
- 50 Ohms
- Right Angle Body Geometry
- RG178, RG196 Interface Type
- Crimp/Solder Attachment
- 5/16 inch Hex

#### Features

- Max. Operating Frequency 3 GHz
- Good VSWR of 1.5:1
- Gold Plated Brass Contact
- 50  $\mu$ m minimum contact plating

#### Applications

- General Purpose Test
- Custom Cable Assemblies

#### Description

Pasternack's PE4296 SMA male right angle connector with crimp/solder attachment for RG178 and RG196 is part of our full line of RF components available for same-day shipping. Our SMA male connector operates up to a maximum frequency of 3 GHz and offers good VSWR of 1.5:1. Its right angle body geometry allows for easier connections in tight spaces.

Our SMA male right angle connector PE4296 datasheet specifications and drawing with dimensions are shown below in this PDF. Pasternack's broad catalog of RF, microwave and millimeter wave connectors allows designers to configure and customize their signal connections however they like. Whether the need is to provide an I/O for a board design, or simply create a custom cable assembly configuration, Pasternack has the right connector for the job. Pasternack can also expertly build your custom cable assemblies for you and ship same-day.

#### Electrical Specifications

| Description            | Minimum | Typical | Maximum | Units |
|------------------------|---------|---------|---------|-------|
| Frequency Range        | DC      |         | 3       | GHz   |
| VSWR                   |         |         | 1.5:1   |       |
| Operating Voltage (AC) |         |         | 250     | Vrms  |

#### Mechanical Specifications

| Size          |                                 |
|---------------|---------------------------------|
| Length        | 0.715 in [18.16 mm]             |
| Width/Dia.    | 0.315 in [8.00 mm]              |
| Height        | 0.61 in [15.49 mm]              |
| Weight        | 0.016 lbs [7.26 g]              |
| Mating Torque | 3 to 5 in-lbs [0.34 to 0.57 Nm] |

Click the following link (or enter part number in "SEARCH" on website) to obtain additional part information including price, inventory and certifications: [SMA Male Right Angle Connector Crimp/Solder Attachment for RG178, RG196 PE4296](#)



## SMA Male Right Angle Connector Crimp/ Solder Attachment for RG178, RG196

### RF Connectors Technical Data Sheet

PE4296

#### Material Specifications

| Description  | Material | Plating                   |
|--------------|----------|---------------------------|
| Contact      | Brass    | Gold<br>50 µin minimum    |
| Insulation   | PTFE     |                           |
| Body         | Brass    | Nickel<br>100 µin minimum |
| Coupling Nut | Brass    | Nickel<br>100 µin minimum |

#### Environmental Specifications

##### Temperature

Operating Range

-65 to +165 deg C

**Compliance Certifications** (see [product page](#) for current document)

#### Plotted and Other Data

Notes:

SMA Male Right Angle Connector Crimp/Solder Attachment for RG178, RG196 from Pasternack Enterprises has same day shipment for domestic and International orders. Our RF, microwave and millimeter wave products maintain a 99% availability and are part of the broadest selection in the industry.

Click the following link (or enter part number in "SEARCH" on website) to obtain additional part information including price, inventory and certifications: [SMA Male Right Angle Connector Crimp/Solder Attachment for RG178, RG196 PE4296](#)

URL: <https://www.pasternack.com/sma-male-standard-rg178-rg196-connector-pe4296-p.aspx>

The information contained in this document is accurate to the best of our knowledge and representative of the part described herein. It may be necessary to make modifications to the part and/or the documentation of the part, in order to implement improvements. Pasternack reserves the right to make such changes as required. Unless otherwise stated, all specifications are nominal. Pasternack does not make any representation or warranty regarding the suitability of the part described herein for any particular purpose, and Pasternack does not assume any liability arising out of the use of any part or documentation.

# PE4296 CAD Drawing

SMA Male Right Angle Connector Crimp/Solder Attachment for RG178, RG196



DWG TITLE

**PE4296**

NOTES:  
 1. UNLESS OTHERWISE SPECIFIED ALL DIMENSIONS ARE NOMINAL.  
 2. ALL SPECIFICATIONS ARE SUBJECT TO CHANGE WITHOUT NOTICE AT ANY TIME.  
 3. DIMENSIONS ARE IN INCHES [mm].  
 4. FITS MIL-C-17 AND EQUIVALENT CABLES.

REV. -

FSCM NO. 53919

CAD FILE 071906

SCALE N/A

SIZE A

2233



**PASTERNAK®**  
 Pasternack Enterprises, Inc.  
 P.O. Box 16759 | Irvine | CA | 92623  
**Phone:** (949) 261-1920 | **Fax:** (949) 261-7451  
**Website:** www.pasternack.com | **E-Mail:** sales@pasternack.com



## SMB Plug Right Angle Connector Crimp/ Solder Attachment For RG178, RG196

### RF Connectors Technical Data Sheet

**PE4159**

#### Configuration

- SMB Plug Connector
- MIL-STD-348A
- 50 Ohms
- Right Angle Body Geometry
- Connector Interface Types: RG178, RG196

#### Features

- Max. Operating Frequency 3 GHz
- Good VSWR of 1.5:1
- Gold Plated Beryllium Copper Contact
- 30 µin minimum contact plating

#### Applications

- General Purpose Test
- Custom Cable Assemblies

#### Description

Pasternack's PE4159 Right Angle, SMB, Standard, Connector is part of our full line of RF components available for same-day shipping. Our SMB plug connector operates up to a maximum frequency of 3 GHz and offers good VSWR of 1.5:1. Its right angle body geometry allows for easier connections in tight spaces.

Our SMB plug right angle connector PE4159 datasheet specifications and drawing with dimensions are shown below in this PDF. Pasternack's broad catalog of RF, microwave and millimeter wave connectors allows designers to configure and customize their signal connections however they like. Whether the need is to provide an I/O for a board design, or simply create a custom cable assembly configuration, Pasternack has the right connector for the job. Pasternack can also expertly build your custom cable assemblies for you and ship same-day.

#### Electrical Specifications

| Description            | Minimum | Typical | Maximum | Units |
|------------------------|---------|---------|---------|-------|
| Frequency Range        | DC      |         | 3       | GHz   |
| VSWR                   |         |         | 1.5:1   |       |
| Operating Voltage (AC) |         |         | 250     | Vrms  |
| Impedance              |         | 50      |         | Ohms  |

#### Mechanical Specifications

| Size   |                    |
|--------|--------------------|
| Length | 0.53 in [13.46 mm] |
| Width  | 0.26 in [6.50 mm]  |
| Height | 0.62 in [15.75 mm] |
| Weight | 0.01 lbs [2.72 g]  |

Click the following link (or enter part number in "SEARCH" on website) to obtain additional part information including price, inventory and certifications: [SMB Plug Right Angle Connector Crimp/Solder Attachment For RG178, RG196 PE4159](#)



SMB Plug Right Angle Connector Crimp/  
Solder Attachment For RG178, RG196

## RF Connectors Technical Data Sheet

**PE4159**

### Material Specifications

| Description | Material         | Plating                   |
|-------------|------------------|---------------------------|
| Contact     | Beryllium Copper | Gold<br>30 µin minimum    |
| Insulation  | PTFE             |                           |
| Body        | Brass            | Nickel<br>100 µin minimum |

### Environmental Specifications

#### Temperature

Operating Range

-65 to 165 deg C

**Compliance Certifications** (see [product page](#) for current document)

### Plotted and Other Data

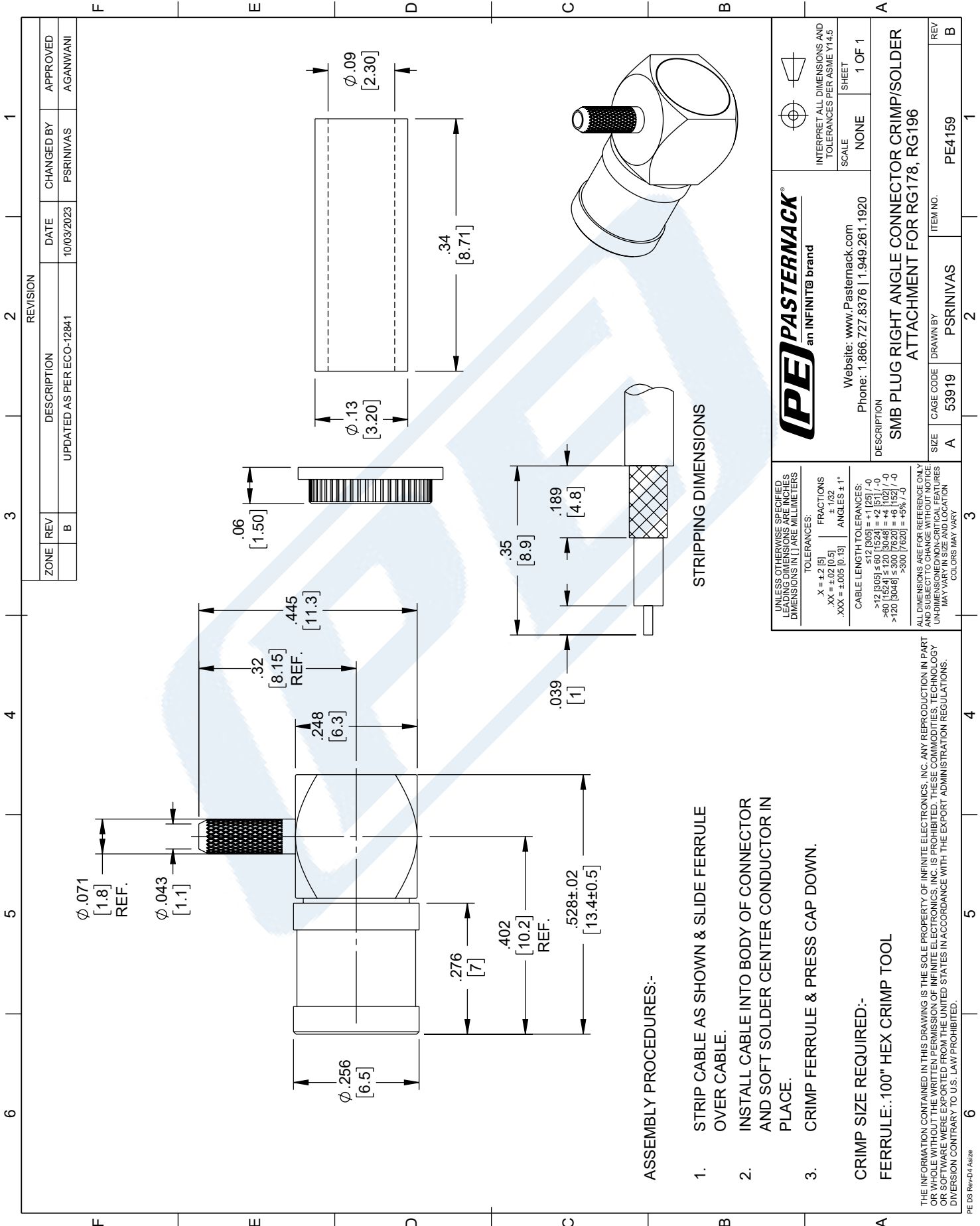
Notes:

SMB Plug Right Angle Connector Crimp/Solder Attachment For RG178, RG196 from Pasternack Enterprises has same day shipment for domestic and International orders. Our RF, microwave and millimeter wave products maintain a 99.4% availability and are part of the broadest selection in the industry.

Click the following link (or enter part number in "SEARCH" on website) to obtain additional part information including price, inventory and certifications: [SMB Plug Right Angle Connector Crimp/Solder Attachment For RG178, RG196 PE4159](#)

URL: <https://www.pasternack.com/smb-plug-standard-rg178-rg196-connector-pe4159-p.aspx>

The information contained in this document is accurate to the best of our knowledge and representative of the part described herein. It may be necessary to make modifications to the part and/or the documentation of the part, in order to implement improvements. Pasternack reserves the right to make such changes as required. Unless otherwise stated, all specifications are nominal. Pasternack does not make any representation or warranty regarding the suitability of the part described herein for any particular purpose, and Pasternack does not assume any liability arising out of the use of any part or documentation.



**ASSEMBLY PROCEDURES:-**

1. STRIP CABLE AS SHOWN & SLIDE FERRULE OVER CABLE.
2. INSTALL CABLE INTO BODY OF CONNECTOR AND SOFT SOLDER CENTER CONDUCTOR IN PLACE.
3. CRIMP FERRULE & PRESS CAP DOWN.

**CRIMP SIZE REQUIRED:-**

FERRULE: .100" HEX CRIMP TOOL

|  |  |  |   |
|--|--|--|---|
| <p><b>PASTERNAK</b><br/>an INFINITB brand</p>  |  | INTERPRET ALL DIMENSIONS AND TOLERANCES PER ASME Y14.5<br>SCALE: NONE<br>SHEET: 1 OF 1         |   |
| Website: <a href="http://www.Pasternack.com">www.Pasternack.com</a><br>Phone: 1.866.727.8376   1.949.261.1920  |  | DESCRIPTION:<br><b>SMB PLUG RIGHT ANGLE CONNECTOR CRIMP/SOLDER ATTACHMENT FOR RG178, RG196</b> |   |
| UNLESS OTHERWISE SPECIFIED LEADING DIMENSIONS ARE INCHES DIMENSIONS IN [ ] ARE MILLIMETERS   | TOLERANCES:<br>X = +2 [5]<br>XX = +0.02 [0.5]<br>.XXX = ±.005 [0.13] | FRACTIONS<br>+ 1/32<br>ANGLES ± 1°   | CABLE LENGTH TOLERANCES:<br>≤ 12 [305] = ± 1 [25] / -0<br>> 12 [305] ≤ 50 [1254] = ± 2 [51] / -0<br>> 50 [1254] ≤ 100 [2528] = ± 4 [102] / -0<br>> 100 [2528] ≤ 300 [7620] = ± 6 [152] / -0<br>> 300 [7620] = ± 5% / -0 |
| ALL DIMENSIONS ARE FOR REFERENCE ONLY<br>UNLESS OTHERWISE SPECIFIED<br>UNDIMENSIONED CRITICAL FEATURES<br>MAY VARY IN SIZE AND LOCATION<br>COLORS MAY VARY |  |  |   |
| SIZE: A  | CAGE CODE: 53919   | DRAWN BY: PSRINIVAS  | ITEM NO.: PE4159  |

| ZONE | REV | DESCRIPTION              | DATE       | CHANGED BY | APPROVED |
|------|-----|--------------------------|------------|------------|----------|
|      | B   | UPDATED AS PER ECO-12841 | 10/03/2023 | PSRINIVAS  | AGANWANI |

## Flexible RG196 Coax Cable Single Shielded with White PTFE Jacket

### RF Cables Technical Data Sheet

RG196A/U

#### Configuration

- Flexible Cable
- 1 Shield(s)

#### Electrical Specifications

| Description                          | Minimum | Typical     | Maximum | Units        |
|--------------------------------------|---------|-------------|---------|--------------|
| Frequency Range                      | DC      |             | 1,000   | MHz          |
| Impedance                            |         | 50          |         | Ohms         |
| Dielectric Withstanding Voltage (AC) |         |             | 2,000   | Vrms         |
| Nominal Capacitance                  |         | 32 [104.99] |         | pF/ft [pF/m] |

#### Performance by Frequency Band

| Description      | F1     | F2 | F3 | F4 | F5 | Units    |
|------------------|--------|----|----|----|----|----------|
| Frequency        | 400    |    |    |    |    | MHz      |
| Attenuation, Typ | 33     |    |    |    |    | dB/100ft |
|                  | 108.27 |    |    |    |    | dB/100m  |

#### Mechanical Specifications

|          |                          |
|----------|--------------------------|
| Diameter | 0.08 in [2.03 mm]        |
| Weight   | 0.005 lbs/ft [0.01 Kg/m] |

#### Construction Specifications

| Description     | Material and Plating                         | Diameter           |
|-----------------|--|--------------------|
| Inner Conductor | Copper Clad Steel, Silver, 7 Strands         | 0.011 in [0.28 mm] |
| Conductor Type  | Stranded                                     |                    |
| Dielectric      | PTFE   | 0.035 in [0.89 mm] |
| First Shield    | Silver Plated Copper Braid<br>92.3% coverage | 0.054 in [1.37 mm] |

Click the following link (or enter part number in "SEARCH" on website) to obtain additional part information including price, inventory and certifications: [Flexible RG196 Coax Cable Single Shielded with White PTFE Jacket RG196A/U](#)

Flexible RG196 Coax Cable Single  
Shielded with White PTFE Jacket

RF Cables Technical Data Sheet

RG196A/U

|        |             |                   |
|--------|-------------|-------------------|
| Jacket | PTFE, White | 0.08 in [2.03 mm] |
|--------|-------------|-------------------|

**Environmental Specifications**

**Temperature**

Operating Range -55 to +200 deg C

**Compliance Certifications** (see [product page](#) for current document)

**Plotted and Other Data**

Notes:

Flexible RG196 Coax Cable Single Shielded with White PTFE Jacket from Pasternack Enterprises has same day shipment for domestic and International orders. Our RF, microwave and millimeter wave products maintain a 99.4% availability and are part of the broadest selection in the industry.

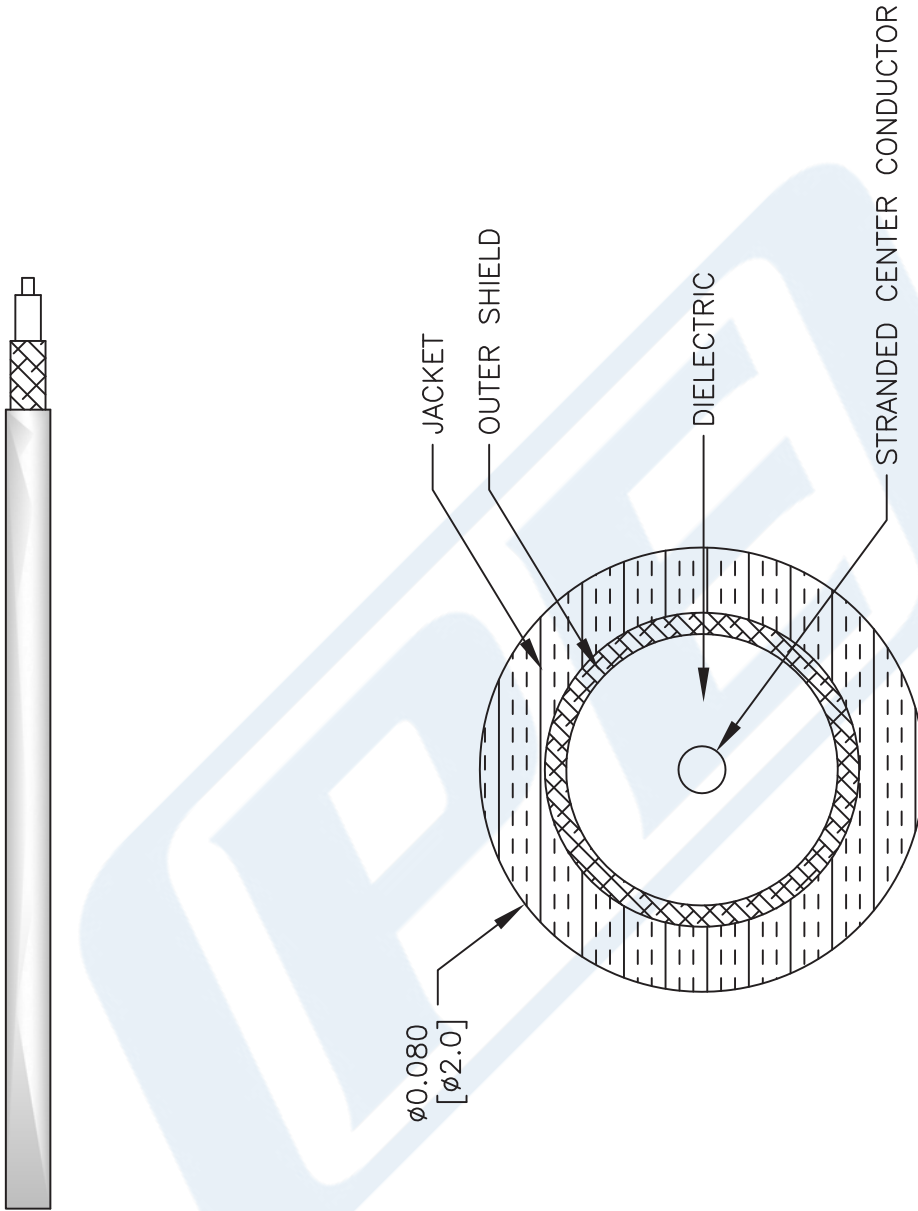
Click the following link (or enter part number in "SEARCH" on website) to obtain additional part information including price, inventory and certifications: [Flexible RG196 Coax Cable Single Shielded with White PTFE Jacket RG196A/U](#)

URL: <https://www.pasternack.com/flexible-0.080-rg196-50-ohm-coax-cable-ptfe-jacket-rg196a-u-p.aspx>

The information contained in this document is accurate to the best of our knowledge and representative of the part described herein. It may be necessary to make modifications to the part and/or the documentation of the part, in order to implement improvements. Pasternack reserves the right to make such changes as required. Unless otherwise stated, all specifications are nominal. Pasternack does not make any representation or warranty regarding the suitability of the part described herein for any particular purpose, and Pasternack does not assume any liability arising out of the use of any part or documentation.

# RG196A/U CAD Drawing

Flexible RG196 Coax Cable Single Shielded with White PTFE Jacket



NOTES:  
1. UNLESS OTHERWISE SPECIFIED ALL DIMENSIONS ARE NOMINAL.  
2. ALL SPECIFICATIONS ARE SUBJECT TO CHANGE WITHOUT NOTICE AT ANY TIME.  
3. DIMENSIONS ARE IN INCHES [mm].

DWG TITLE  
**RG196A/U**

FSCM NO. 53919

CAD FILE 111716

SCALE N/A

SIZE A

41742

**(PE) PASTERNAK®**  
THE ENGINEER'S RF SOURCE  
Pasternack Enterprises, Inc.  
P.O. Box 16759 | Irvine | CA | 92623

Phone: (949) 261-1920 | Fax: (949) 261-7451

Website: [www.pasternack.com](http://www.pasternack.com) | E-Mail: [sales@pasternack.com](mailto:sales@pasternack.com)