

RP-TNC Jack Connector Crimp/Non-Solder Contact Attachment for LMR-240, LMR-240-DB, LMR-240-UF, LMR-240-FR, RG8X, PE-C240



RF Connectors Technical Data Sheet



EZ-240-TF-RP-X

Times Microwave Systems Connector Specification

Configuration

- TNC Jack Reverse Polarity Connector
- 50 Ohms
- Straight Body Geometry
- Connector Interface Types: LMR-240, LMR-240-DB, LMR-240-UF, LMR-240-FR, RG8X, PE-C240

Features

- Max. Operating Frequency 6 GHz
- Good VSWR of 1.3:1
- Tri-Metal Plated Brass Contact
- 80 μ m minimum contact plating
- Reverse Polarity

Applications

- General Purpose Test
- Custom Cable Assemblies

Description

EZ-240-TF-RP-X RP TNC jack coaxial connector has an interface type of TNC jack LMR-240, LMR-240-DB, LMR-240-UF, LMR-240-FR, RG8X, and PE-C240 and a 50 Ohms impedance. Pasternack's TNC jack connector uses crimp/non-solder contact as an attachment method. Our jack TNC coaxial connector provides a maximum frequency of 6 GHz.

The Pasternack TNC jack coaxial connector has a PTFE dielectric type and a VSWR of 1.3:1. Pasternack's TNC coaxial connector has a brass body with tri-metal plating. Our EZ-240-TF-RP-X TNC connector uses a tri-metal plated brass contact. Additional RF connector specs and dimensions for this component can be found on its PDF specification datasheet and CAD drawings above.

The radio frequency connector is made from brass material and has a contact life of 500 cycles or more. Our high-quality EZ-240-TF-RP-X features an 80 μ m minimum body plating specification. The Pasternack EZ-240-TF-RP-X TNC connector operates at a temperature range of -40 to 125 deg C.

This Pasternack reverse polarity jack TNC connector will ship the same business day as purchased. Our TNC jack connector is part of over 40,000 RF, microwave, and millimeter wave components in stock for local, domestic, and international shipment. For further information on similar products, our expert technical support and trained sales team can get you the ideal RF connector as per your requirements.

Electrical Specifications

| Description | Minimum | Typical | Maximum | Units |
|--------------------------------------|---------|---------|---------|-------|
| Frequency Range | DC | | 6 | GHz |
| VSWR | | | 1.3:1 | |
| Insertion Loss | | | 0.24 | dB |
| Impedance | | 50 | | Ohms |
| Dielectric Withstanding Voltage (DC) | | | 1,500 | Vdc |
| Insulation Resistance | 5,000 | | | MOhms |

Click the following link (or enter part number in "SEARCH" on website) to obtain additional part information including price, inventory and certifications: [RP-TNC Jack Connector Crimp/Non-Solder Contact Attachment for LMR-240, LMR-240-DB, LMR-240-UF, LMR-240-FR, RG8X, PE-C240 EZ-240-TF-RP-X](#)



RP-TNC Jack Connector Crimp/Non-Solder Contact Attachment for LMR-240, LMR-240-DB, LMR-240-UF, LMR-240-FR, RG8X, PE-C240

RF Connectors Technical Data Sheet

Electrical Specification Notes:
Insertion Loss is $0.1 \cdot \sqrt{f(\text{GHz})}$ dB

Mechanical Specifications

Size

| | |
|-----------------------|--------------------|
| Length | 1.20 in [30.48 mm] |
| Width | 0.43 in [10.92 mm] |
| Height | 0.43 in [10.92 mm] |
| Weight | 0.10 lbs [45.36 g] |
| Mating Cycles | 500 Cycles |
| Cable Retention Force | 250 lbs 113.4 kg |

Material Specifications

| Description | Material | Plating |
|--------------|----------|--|
| Contact | Brass | Tri-Metal 80 μin minimum |
| Insulation | PTFE | |
| Body | Brass | Tri-Metal 80 μin minimum |
| Crimp Sleeve | Brass | Tri-Metal 80 μin minimum |

Environmental Specifications

Temperature

| | |
|-----------------|--------------------------------|
| Operating Range | -40 to +125 deg C |
| Shock | MIL-STD 202G, Meth.213, Cond.G |
| Vibration | MIL-STD 202G, Meth.204, Cond.B |
| Thermal Shock | MIL-STD 202G, Meth.107, Cond.B |

Compliance Certifications (see [product page](#) for current document)

Plotted and Other Data

Notes:

Click the following link (or enter part number in "SEARCH" on website) to obtain additional part information including price, inventory and certifications: [RP-TNC Jack Connector Crimp/Non-Solder Contact Attachment for LMR-240, LMR-240-DB, LMR-240-UF, LMR-240-FR, RG8X, PE-C240 EZ-240-TF-RP-X](#)



RP-TNC Jack Connector Crimp/Non-Solder Contact Attachment for LMR-240, LMR-240-DB, LMR-240-UF, LMR-240-FR, RG8X, PE-C240


RF Connectors Technical Data Sheet

RP-TNC Jack Connector Crimp/Non-Solder Contact Attachment for LMR-240, LMR-240-DB, LMR-240-UF, LMR-240-FR, RG8X, PE-C240 from Pasternack Enterprises has same day shipment for domestic and International orders. Our RF, microwave and millimeter wave products maintain a 99.4% availability and are part of the broadest selection in the industry.

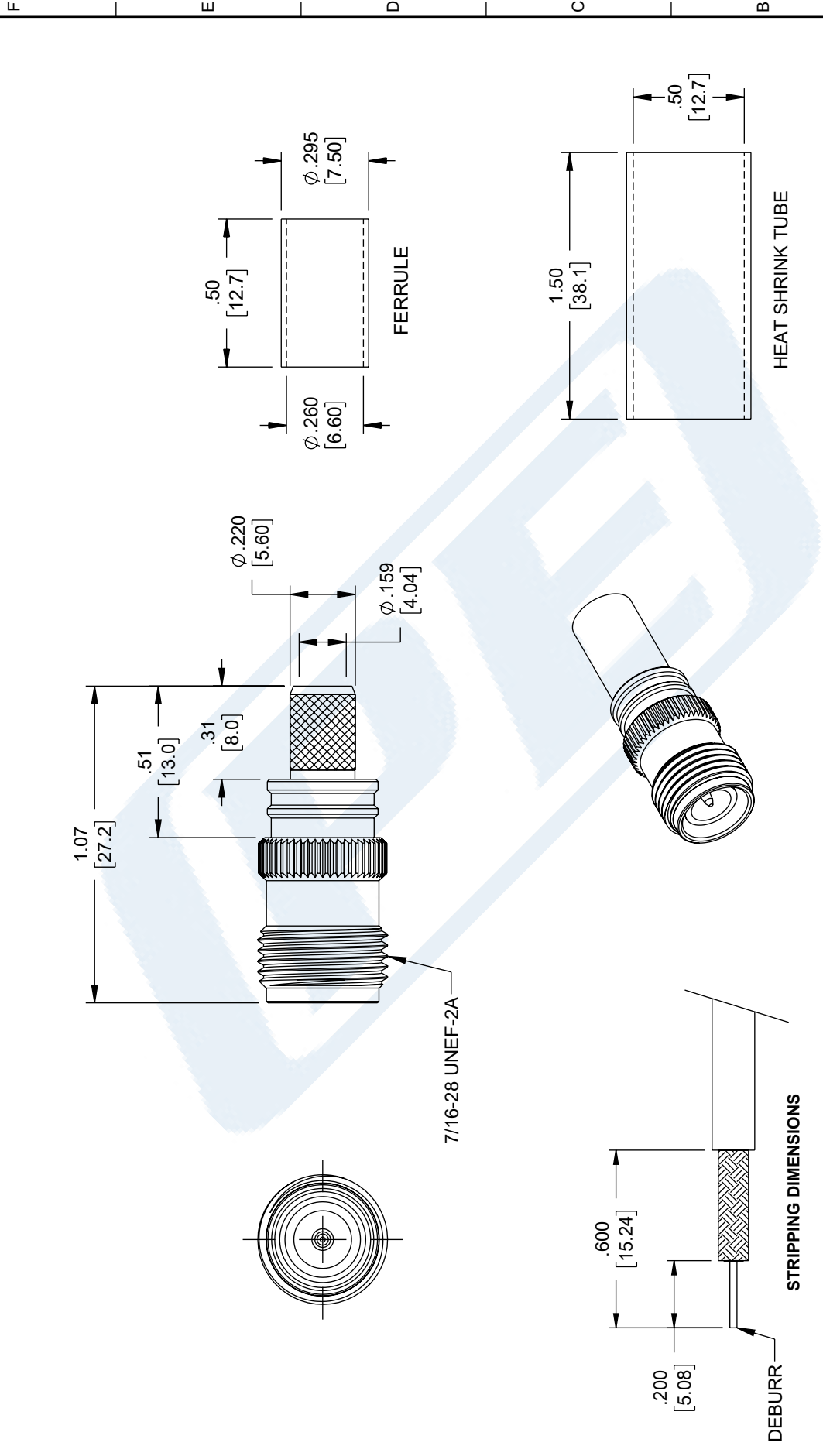
Click the following link (or enter part number in "SEARCH" on website) to obtain additional part information including price, inventory and certifications: [RP-TNC Jack Connector Crimp/Non-Solder Contact Attachment for LMR-240, LMR-240-DB, LMR-240-UF, LMR-240-FR, RG8X, PE-C240 EZ-240-TF-RP-X](#)


URL: <https://www.pasternack.com/tnc-jack-reverse-polarity-lmr-240-connector-ez-240-tf-rp-x.p.aspx>

The information contained in this document is accurate to the best of our knowledge and representative of the part described herein. It may be necessary to make modifications to the part and/or the documentation of the part, in order to implement improvements. Pasternack reserves the right to make such changes as required. Unless otherwise stated, all specifications are nominal. Pasternack does not make any representation or warranty regarding the suitability of the part described herein for any particular purpose, and Pasternack does not assume any liability arising out of the use of any part or documentation.


EZ-240-TF-RP-X CAD Drawing
 RP-TNC Jack Connector Crimp/Non-Solder Contact Attachment for LMR-240, LMR-240-DB, LMR-240-UF, LMR-240-FR, RG8X, PE-C240

| ZONE | REV | DESCRIPTION | DATE | CHANGED BY | APPROVED |
|------|-----|-----------------|-----------|------------|----------|
| | A | INITIAL RELEASE | 5/19/2023 | KDANG | AGANWANI |




PASTERNAK
 an INFINITI® brand

Website: www.Pasternack.com
 Phone: 1.866.727.8376 | 1.949.261.1920

INTERPRET ALL DIMENSIONS AND TOLERANCES PER ASME Y14.5
 SCALE: NONE
 SHEET: 1 OF 1

DESCRIPTION:
 RP-TNC Jack Connector Crimp/Non-Solder Contact Attachment for LMR-240

| | | | | | | | |
|------|---|-----------|-------|----------|-------|----------|----------------|
| SIZE | A | CAGE CODE | 53919 | DRAWN BY | KDANG | ITEM NO. | EZ-240-TF-RP-X |
| REV | A | | | | | | |

UNLESS OTHERWISE SPECIFIED LEADING DIMENSIONS ARE INCHES DIMENSIONS IN [] ARE MILLIMETERS
 TOLERANCES:
 .X = ±.2 [5] FRACTIONS
 .XX = ±.02 [5] ±.1/32
 .XXX = ±.005 [13] ANGLES ± 1°
 CABLE LENGTH TOLERANCES:
 ≤12 [305] = +1 [25] / -0
 >12 [305] ≤ 60 [1524] = +2 [51] / -0
 >60 [1524] ≤ 120 [3048] = +4 [102] / -0
 >120 [3048] ≤ 300 [7620] = +6 [152] / -0
 >300 [7620] = +5% / -0
 ALL DIMENSIONS ARE FOR REFERENCE ONLY AND SUBJECT TO CHANGE WITHOUT NOTICE

NOTES:
 1. CABLE ATTACHMENT:
 • OUTER: CRIMP.
 2. CRIMP SIZE REQUIRED:
 • FERRULE: .255 [6.48] HEX. CRIMP TOOL.

THE INFORMATION CONTAINED IN THIS DRAWING IS THE SOLE PROPERTY OF INFINITE ELECTRONICS, INC. ANY REPRODUCTION IN PART OR WHOLE WITHOUT THE WRITTEN PERMISSION OF INFINITE ELECTRONICS, INC. IS PROHIBITED. THESE COMMODITIES, TECHNOLOGY OR SOFTWARE WERE EXPORTED FROM THE UNITED STATES IN ACCORDANCE WITH THE EXPORT ADMINISTRATION REGULATIONS. DIVERSION CONTRARY TO U.S. LAW PROHIBITED.



N Male Connector Crimp/Solder Attachment for RG8X, PE-C240, 0.240 inch, B7808A, LMR-240

RF Connectors Technical Data Sheet

PE4344

Configuration

- N Male Connector
- MIL-STD-348A
- 50 Ohms
- Straight Body Geometry
- RG8X, PE-C240, 0.240 inch, B7808A, LMR-240 Interface Type
- Crimp/Solder Attachment

Features

- Max. Operating Frequency 11 GHz
- Good VSWR of 1.5:1
- Gold Plated Brass Contact
- 30 µin minimum contact plating

Applications

- General Purpose Test
- Custom Cable Assemblies

Description

Pasternack's PE4344 type N male connector with crimp/solder attachment for RG8X, PE-C240, 0.240 inch, B7808A and LMR-240 is part of our full line of RF components available for same-day shipping. Our type N male connector operates up to a maximum frequency of 11 GHz and offers good VSWR of 1.5:1.

Our type N male connector PE4344 datasheet specifications and drawing with dimensions are shown below in this PDF. Pasternack's broad catalog of RF, microwave and millimeter wave connectors allows designers to configure and customize their signal connections however they like. Whether the need is to provide an I/O for a board design, or simply create a custom cable assembly configuration, Pasternack has the right connector for the job. Pasternack can also expertly build your custom cable assemblies for you and ship same-day.

Electrical Specifications

| Description | Minimum | Typical | Maximum | Units |
|------------------------|---------|---------|---------|-------|
| Frequency Range | DC | | 11 | GHz |
| VSWR | | | 1.5:1 | |
| Operating Voltage (AC) | | | 1,000 | Vrms |

Mechanical Specifications

| | |
|-------------|---------------------|
| Size | |
| Length | 1.394 in [35.41 mm] |
| Width/Dia. | 0.827 in [21.01 mm] |
| Weight | 0.068 lbs [30.84 g] |

Click the following link (or enter part number in "SEARCH" on website) to obtain additional part information including price, inventory and certifications: [N Male Connector Crimp/Solder Attachment for RG8X, PE-C240, 0.240 inch, B7808A, LMR-240 PE4344](#)



N Male Connector Crimp/Solder Attachment for
 RG8X, PE-C240, 0.240 inch, B7808A, LMR-240

RF Connectors Technical Data Sheet

PE4344

Material Specifications

| Description | Material | Plating |
|--------------|----------|---------------------------|
| Contact | Brass | Gold 30 µin minimum |
| Insulation | PTFE | |
| Body | Brass | Nickel 100 µin minimum |
| Coupling Nut | Brass | Nickel 100 µin minimum |

Environmental Specifications

Temperature

Operating Range

-65 to +165 deg C

Compliance Certifications (see [product page](#) for current document)

Plotted and Other Data

Notes:

N Male Connector Crimp/Solder Attachment for RG8X, PE-C240, 0.240 inch, B7808A, LMR-240 from Pasternack Enterprises has same day shipment for domestic and International orders. Our RF, microwave and millimeter wave products maintain a 99% availability and are part of the broadest selection in the industry.

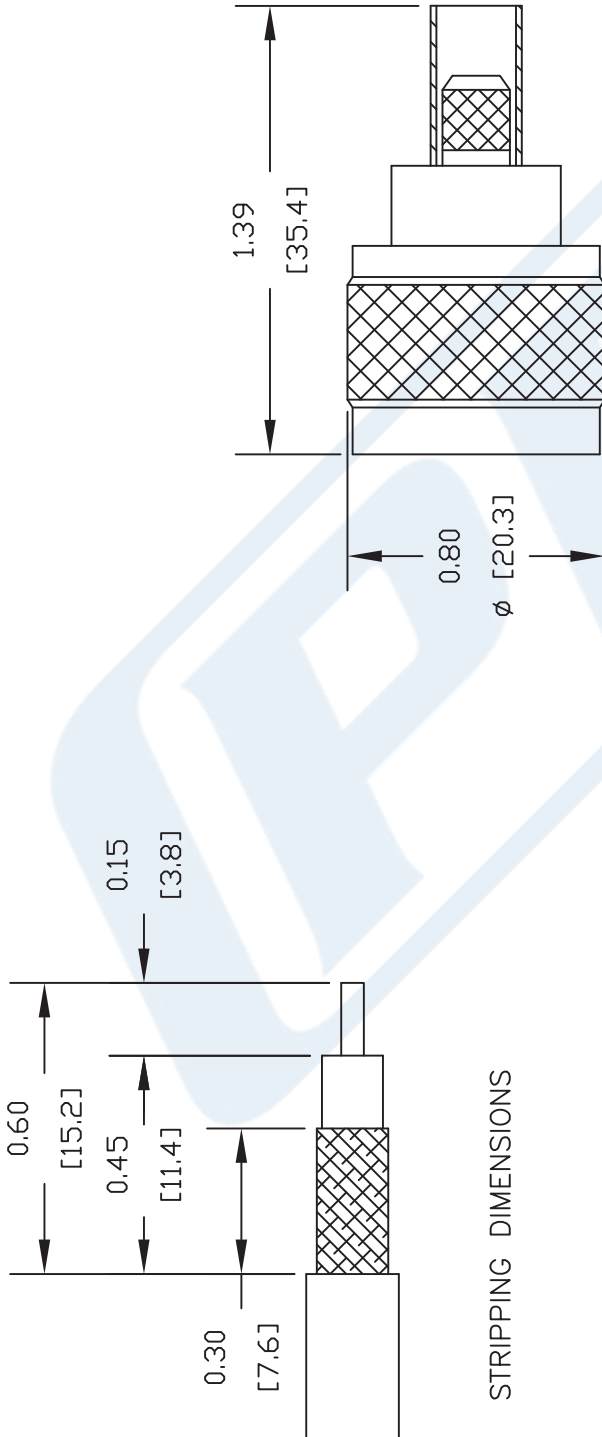
Click the following link (or enter part number in "SEARCH" on website) to obtain additional part information including price, inventory and certifications: [N Male Connector Crimp/Solder Attachment for RG8X, PE-C240, 0.240 inch, B7808A, LMR-240 PE4344](#)

URL: <https://www.pasternack.com/n-male-standard-rg8x-pe-c240-connector-pe4344-p.aspx>

The information contained in this document is accurate to the best of our knowledge and representative of the part described herein. It may be necessary to make modifications to the part and/or the documentation of the part, in order to implement improvements. Pasternack reserves the right to make such changes as required. Unless otherwise stated, all specifications are nominal. Pasternack does not make any representation or warranty regarding the suitability of the part described herein for any particular purpose, and Pasternack does not assume any liability arising out of the use of any part or documentation.

PE4344 CAD Drawing

N Male Connector Crimp/Solder Attachment for RG8X, PE-C240, 0.240 inch, B7808A, LMR-240



STRIPPING DIMENSIONS

CRIMP SIZES REQUIRED

CONTACT: .100" HEX CRIMP TOOL

FERRULE: .255" HEX CRIMP TOOL

DWG TITLE

PE4344

- NOTES:
1. UNLESS OTHERWISE SPECIFIED ALL DIMENSIONS ARE NOMINAL.
 2. ALL SPECIFICATIONS ARE SUBJECT TO CHANGE WITHOUT NOTICE AT ANY TIME.
 3. DIMENSIONS ARE IN INCHES [mm].
 4. FITS MIL-C-17 AND EQUIVALENT CABLES.

REV. A

FSCM NO. 53919

CAD FILE 050609

SCALE N/A

SIZE A

127



PASTERNAK®
Pasternack Enterprises, Inc.

P.O. Box 16759 | Irvine | CA | 92623

Phone: (949) 261-1920 | Fax: (949) 261-7451

Website: www.pasternack.com | E-Mail: sales@pasternack.com

LMR[®]-240 Flexible Low Loss Communications Coax

Ideal for...

- Jumper Assemblies in Wireless Communications Systems
- Short Antenna Feeder runs (e.g. WLL, GPS, LMR, Mobile Antennas)
- Any application (e.g. WLL, GPS, LMR, WLAN, WISP, WiMax, SCADA, Mobile Antennas) requiring an easily routed, low loss RF cable



• **LMR[®]** standard is a UV Resistant Polyethylene jacketed cable designed for 20-year service outdoor use. The bending and handling characteristics are significantly better than air-dielectric and corrugated hard-line cables.

• **LMR[®]-DB** is identical to standard LMR plus has the advantage of being watertight. The addition of waterproofing compound in and around the foil/braid insures continuous reliable service should the jacket be inadvertently damaged during installation or in the future.

• **LMR[®]-FR** is a non-halogen (non-toxic), low smoke, fire retardant cable designed for in-building runs that can be routed anywhere except air handling plenums. LMR-FR is UL/NEC & CSA rated 'CMR' and 'FT4' respectively, meets FAA FAR25 requirements and is MSHA-P for mining applications.

• **LMR[®]-FR-PVC** is a general-purpose indoor cable and has a UL/NEC & CSA rating of 'CMR' and 'FT4' respectively. It is less expensive than LMR-FR, however it emits toxic fumes (HCL) and greater smoke density when burned.

• **LMR[®]-PVC** is designed for low loss general-purpose applications and is somewhat more flexible than the standard polyethylene jacketed LMR.

• **LMR[®]-PVC-W** is a white-jacketed version of LMR-PVC for marine and other applications where color compatibility is desired.

• **LMR[®]-MA** is a flexible cable designed specifically for mobile antenna applications. It has a PVC jacket and un-bonded aluminum tape to facilitate end stripping with automated equipment.

• **Flexibility** and bendability are hallmarks of the LMR-240 cable design. The flexible outer conductor enables the tightest bend radius available for any cable of similar size and performance.

• **Low Loss** is another hallmark feature of LMR-240. Size for size LMR has the lowest loss of any flexible cable and comparable loss to semirigid hard-line cables.

• **RF Shielding** is 50 dB greater than typical single shielded coax (40 dB). The multi-ply bonded foil outer conductor is rated conservatively at > 90 dB (i.e. >180 dB between two adjacent cables).

• **Weatherability:** LMR-240 cables designed for outdoor exposure incorporate the best materials for UV resistance and have life expectancy in excess of 20 years.

• **Connectors:** A wide variety of connectors are available for LMR-240 cable, including all common interface types, reverse polarity, and a choice of solder or non-solder center pins. Most LMR connectors employ crimp outer attachment using standard hex crimp sizes.

• **Cable Assemblies:** All LMR-240 cable types are available as pre-terminated cable assemblies. Refer to the section on FlexTech for further details.

| Part Description | | | | | Stock |
|------------------|-------------------------|-----------|-------|-------|-------|
| Part Number | Application | Jacket | Color | Code | |
| LMR-240 | Outdoor | PE | Black | 54021 | |
| LMR-240-DB | Outdoor/Watertight | PE | Black | 54090 | |
| LMR-240-FR | Indoor/Outdoor Riser | CMR FRPE | Black | 54029 | |
| LMR-240-FR-PVC | Indoor/Outdoor Riser | CMR FRPVC | Black | 54214 | |
| LMR-240-PVC | General Purpose | PVC | Black | 54140 | |
| LMR-240-PVC-W | General Purpose | PVC | White | 54202 | |
| LMR-240-MA | Indoor & Mobile Antenna | PVC | Black | 54046 | |

| Construction Specifications | | | |
|-----------------------------|-------------------|-------|--------|
| Description | Material | In. | (mm) |
| Inner Conductor | Solid BC | 0.056 | (1.42) |
| Dielectric | Foam PE | 0.150 | (3.81) |
| Outer Conductor | Aluminum Tape | 0.155 | (3.94) |
| Overall Braid | Tinned Copper | 0.178 | (4.52) |
| Jacket | (see table above) | 0.240 | (6.10) |

| Mechanical Specifications | | | |
|---------------------------|----------------|-------|----------|
| Performance Property | Units | US | (metric) |
| Bend Radius: installation | in. (mm) | 0.75 | (19.1) |
| Bend Radius: repeated | in. (mm) | 2.5 | (63.5) |
| Bending Moment | ft-lb (N-m) | 0.25 | (0.34) |
| Weight | lb/ft (kg/m) | 0.034 | (0.05) |
| Tensile Strength | lb (kg) | 80 | (36.3) |
| Flat Plate Crush | lb/in. (kg/mm) | 20 | (0.36) |

| Environmental Specifications | | |
|--------------------------------|----------|---------|
| Performance Property | °F | °C |
| Installation Temperature Range | -40/+185 | -40/+85 |
| Storage Temperature Range | -94/+185 | -70/+85 |
| Operating Temperature Range | -40/+185 | -40/+85 |

| Electrical Specifications | | | |
|---------------------------|-------------------|-------|----------|
| Performance Property | Units | US | (metric) |
| Velocity of Propagation | % | 84 | |
| Dielectric Constant | NA | 1.42 | |
| Time Delay | nS/ft (nS/m) | 1.21 | (3.97) |
| Impedance | ohms | 50 | |
| Capacitance | pF/ft (pF/m) | 24.2 | (79.4) |
| Inductance | uH/ft (uH/m) | 0.060 | (0.20) |
| Shielding Effectiveness | dB | >90 | |
| DC Resistance | | | |
| Inner Conductor | ohms/1000ft (/km) | 3.2 | (10.5) |
| Outer Conductor | ohms/1000ft (/km) | 3.89 | (12.8) |
| Voltage Withstand | Volts DC | | 1500 |
| Jacket Spark | Volts RMS | | 5000 |
| Peak Power | kW | | 5.6 |

Attenuation vs. Frequency (typical)



| Frequency (MHz) | 30 | 50 | 150 | 220 | 450 | 900 | 1500 | 1800 | 2000 | 2500 | 5800 |
|------------------------------|------|------|------|------|------|------|------|------|------|------|------|
| Attenuation dB/100 ft | 1.3 | 1.7 | 3.0 | 3.7 | 5.3 | 7.6 | 9.9 | 10.9 | 11.5 | 12.9 | 20.4 |
| Attenuation dB/100 m | 4.4 | 5.7 | 9.9 | 12.0 | 17.3 | 24.8 | 32.4 | 35.6 | 37.7 | 42.4 | 66.8 |
| Avg. Power kW | 1.49 | 1.15 | 0.66 | 0.54 | 0.38 | 0.26 | 0.20 | 0.18 | 0.17 | 0.15 | 0.10 |

Calculate Attenuation =

$(0.242080) \cdot \sqrt{\text{FMHz}} + (0.000330) \cdot \text{FMHz}$ (interactive calculator available at http://www.timesmicrowave.com/cable_calculators)

Attenuation:

VSWR=1.0 ; Ambient = +25°C (77°F)

Power: VSWR=1.0; Ambient = +40°C; Inner Conductor = 100°C (212°F); Sea Level; dry air; atmospheric pressure; no solar loading

LMR[®]-240 Flexible Low Loss Communications Coax



Connectors

| Interface | Description | Part Number | Stock Code | VSWR** Freq. (GHz) | Coupling Nut | Inner Contact Attach | Outer Contact Attach | Finish* Body /Pin | Length in (mm) | Width in (mm) | Weight lb (g) |
|-------------|------------------|------------------|------------|-----------------------|--------------|----------------------|----------------------|----------------------|-------------------|------------------|------------------|
| F Male | Straight Plug | TC-240-FM | 3190-924 | <1.25:1 (2.5) | Knurl | Solder | Crimp | N/G | 1.1 (28) | 0.45 (11.4) | 0.014 (6.4) |
| N Male | Straight Plug | EZ-240-NMH-D | 3190-1127 | <1.25:1 (2.5) | Hex/Knurl | Spring Finger | Crimp | A/G | 1.5 (38.1) | 0.78 (19.8) | 0.086 (39.0) |
| N Male | Right Angle | TC-240-NM-RA | 3190-2426 | <1.35:1 (6) | Hex | Solder | Crimp | A/G | 1.3 (32.4) | 1.22 (31.0) | 0.092 (41.7) |
| N Male | Right Angle | TC-240-NMH-RA-D | 3190-2426 | <1.35:1 (6) | Hex/Knurl | Solder | Crimp | A/G | 1.2 (32.4) | 1.22 (31.0) | 0.091 (41.7) |
| N Male | Straight Plug | TC-240-NMH-D | 3190-382* | <1.25:1 (2.5) | Hex/Knurl | Solder | Crimp | N/S | 1.5 (38) | 0.75 (19.1) | 0.086 (39.0) |
| N Male | Straight Plug | TC-240-NMC | 3190-244 | <1.25:1 (2.5) | Knurl | Solder | Clamp | S/G | 1.5 (38) | 0.75 (19.1) | 0.082 (37.2) |
| 1.0/2.3 DIN | Straight Plug | EZ-240-1023M | 3190-2512 | <1.35:1 (2.5) | knurl | Spring Finger | Crimp | N/G | 1.1 (28.5) | 0.33 (8.5) | 0.014 (6.63) |
| N Female | Bulkhead Jack | TC-240-NF-BH | 3190-419 | <1.25:1 (2.5) | NA | Solder | Crimp | A/G | 1.7 (44) | 0.88 (22.2) | 0.115 (52.2) |
| N Female | Panel Mount | TC-240-NF-BHF(A) | 3190-866* | <1.25:1 (2.5) | NA | Solder | Crimp | A/G | 1.7 (44) | 0.88 (22.2) | 0.115 (52.2) |
| BNC Male | Straight Plug | TC-240-BMC | 3190-242 | <1.25:1 (2.5) | Knurl | Solder | Clamp | S/G | 1.7 (43) | 0.56 (14.2) | 0.040 (18.1) |
| BNC Male | Straight Plug | TC-240-BM(A) | 3190-867 | <1.25:1 (2.5) | Knurl | Solder | Crimp | A/G | 1.7 (43) | 0.56 (14.2) | 0.043 (19.5) |
| TNC Male | Straight Plug | EZ-240-TM | 3190-1128 | <1.25:1 (2.5) | Knurl | Spring Finger | Crimp | N/G | 1.4 (34.3) | 0.59 (15.0) | 0.043 (19.5) |
| TNC Male | Straight Plug | TC-240-TM | 3190-275 | <1.25:1 (2.5) | Knurl | Solder | Crimp | N/G | 1.7 (43) | 0.59 (15.0) | 0.043 (19.5) |
| TNC Male | Right Angle | TC-240-TM-RA | 3190-604 | <1.35:1 (2.5) | Knurl | Solder | Crimp | N/G | 1.3 (33) | 0.57 (14.5) | 0.055 (24.9) |
| TNC Male | Reverse Polarity | EZ-240-TM-RP | 3190-970 | <1.25:1 (2.5) | Knurl | Spring Finger | Crimp | A/G | 1.4 (36) | 0.59 (15.0) | 0.043 (19.5) |
| QMA Male | Straight Plug | EZ-240-QM | 3190-1533 | <1.25:1 (6) | Knurl | Spring Finger | Crimp | N/G | 1.2 (30.0) | 0.41 (10.5) | 0.014 (6.35) |
| QMA Male | Right Angle | EZ-240-QM-RA | 3190-1539 | <1.25:1 (<6) | Knurl | Spring Finger | Crimp | N/G | 0.8 (20.3) | 0.65 (16.5) | 0.019 (8.62) |
| SM A Male | Straight Plug | EZ-240-SM | 3190-1530 | <1.25:1 (6) | Hex | Spring Finger | Crimp | N/G | 1.0 (25.4) | 0.32 (8.1) | 0.016 (7.26) |
| SM A Male | Straight Plug | TC-240-SM | 3190-380* | <1.25:1 (10) | Hex | Solder | Crimp | SS/G | 1.0 (25) | 0.32 (8.1) | 0.016 (7.3) |
| SM A Male | Right Angle | TC-240-SM-RA | 3190-381* | <1.35:1 (6) | Hex | Solder | Crimp | SS/G | 0.8 (20) | 0.65 (16.5) | 0.019 (8.6) |
| SM A Male | Reverse Polarity | TC-240-SM-RP | 3190-326 | <1.25:1 (2.5) | Hex | Solder | Crimp | SS/G | 1.0 (25) | 0.32 (8.1) | 0.016 (7.3) |
| SMA Female | Bulkhead Jack | TC-240-SF-BH | 3190-824* | <1.25:1 (2.5) | NA | Solder | Crimp | SS/G | 1.1 (29) | 0.31 (7.9) | 0.019 (8.6) |
| Mini-UHF | Straight Plug | TC-240-MUHF | 3190-445 | <1.25:1 (2.5) | Knurl | Solder | Crimp | N/G | 1.1 (28) | 0.45 (11.4) | 0.014 (6.4) |

* Finish metals: N=Nickel, S=Silver, G=Gold, SS=Stainless Steel, A=Alloy **VSWR spec based on 3 foot cable with a connector pair *Available in bulk pack



Hardware Accessories

| Type | Part Number | Stock Code | Description |
|------------|-------------|------------|----------------------------|
| Ground Kit | GK-S240TT | GK-S240TT | Standard Ground Kit (each) |



Install Tools

| Type | Part Number | Stock Code | Description |
|-------------------|--------------------|------------|---|
| Crimp Tool | CT-240/200/195/100 | 3190-667 | Crimp tool for LMR-100, 195, 200 and 240 connectors |
| Strip Tool | CST-240 | 3192-070 | Strip tool |
| Deburr Tool | DBT-U | 3192-001 | Removes center conductor rough edges |
| Cutting Tool | CCT-01 | 3190-1544 | Cable end flush cut tool |
| Replacement Blade | RB-01 | 3190-1609 | Replacement blade for cutting tool |
| Replacement | RB-CST | 3192-086 | Replacement blade kit for all CST strip tools |