



## 4.3-10 Female Low PIM Connector Solder Attachment for TFT-402, TFT-402-LF

### RF Connectors Technical Data Sheet



TC-402-4310F-LP

### Times Microwave Systems Connector Specification

#### Configuration

- 4.3-10 Female Connector
- 50 Ohms
- Straight Body Geometry
- Connector Interface Types: TFT-402, TFT-402-LF
- Low PIM Design

#### Features

- Max. Operating Frequency 6 GHz
- Excellent VSWR of 1.25:1
- PIM levels lower than -160 dBc
- Silver Plated Bronze Contact
- 200  $\mu$ m contact plating

#### Applications

- General Purpose Test
- Custom Cable Assemblies
- Distributed Antenna Systems (DAS)
- Wireless Communications
- Low PIM Applications

#### Description

Pasternack's TC-402-4310F-LP 4.3-10 female connector with solder/solder attachment for TFT-402 and TFT-402-LF is part of our full line of RF components available for same-day shipping. Our 4.3-10 female connector operates up to a maximum frequency of 6 GHz and offers excellent VSWR of 1.25:1. The 4.3-10 female connector also has low passive intermodulation of -160 dBc.

Our 4.3-10 female connector TC-402-4310F-LP datasheet specifications and drawing with dimensions are shown below in this PDF. Pasternack's broad catalog of RF, microwave and millimeter wave connectors allows designers to configure and customize their signal connections however they like. Whether the need is to provide an I/O for a board design, or simply create a custom cable assembly configuration, Pasternack has the right connector for the job. Pasternack can also expertly build your custom cable assemblies for you and ship same-day.

#### Electrical Specifications

Description	Minimum	Typical	Maximum	Units
Frequency Range	DC		6	GHz
VSWR			1.25:1	
Insertion Loss			0.24	dB
Passive Intermodulation			-160	dBc
Operating Voltage (DC)			2,500	Vdc
Insulation Resistance	5,000			MOhms

Click the following link (or enter part number in "SEARCH" on website) to obtain additional part information including price, inventory and certifications: [4.3-10 Female Low PIM Connector Solder Attachment for TFT-402, TFT-402-LF TC-402-4310F-LP](#)



## 4.3-10 Female Low PIM Connector Solder Attachment for TFT-402, TFT-402-LF

### RF Connectors Technical Data Sheet



TC-402-4310F-LP

#### Performance by Frequency

Description	F1	F2	F3	F4	F5	Units
Frequency Range	DC to 3	3 to 6				GHz
VSWR, Max	1.1:1	1.25:1				

Electrical Specification Notes:  
Insertion Loss is  $0.1 \cdot \sqrt{FGHz}$

#### Mechanical Specifications

##### Size

Length 1.28 in [32.51 mm]  
Width/Dia. 0.728 in [18.49 mm]

Mating Cycles 500 Cycles  
Cable Retention Force 22 lbs [9.98 kg]

#### Material Specifications

Description	Material	Plating
Contact	Bronze	Silver 200 $\mu$ in
Insulation	PTFE	
Outer Conductor	Brass	Tri-Metal 80 $\mu$ in
Body	Brass	Tri-Metal 80 $\mu$ in

#### Environmental Specifications

##### Temperature

Operating Range -55 to +85 deg C  
Shock MIL-STD 202G, Meth. 213, Cond. I  
Vibration MIL-STD 202G, Meth. 204, Cond. B  
Thermal Shock MIL-STD 202G, Meth. 107, Cond. B

Environmental Specification Notes:  
Climatic Class: IEC 60068 55/155/56

Click the following link (or enter part number in "SEARCH" on website) to obtain additional part information including price, inventory and certifications: [4.3-10 Female Low PIM Connector Solder Attachment for TFT-402, TFT-402-LF TC-402-4310F-LP](#)



## 4.3-10 Female Low PIM Connector Solder Attachment for TFT-402, TFT-402-LF

### RF Connectors Technical Data Sheet



TC-402-4310F-LP

**Compliance Certifications** (see [product page](#) for current document)

#### Plotted and Other Data

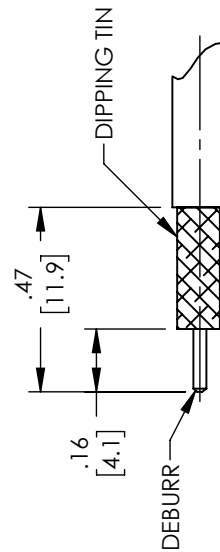
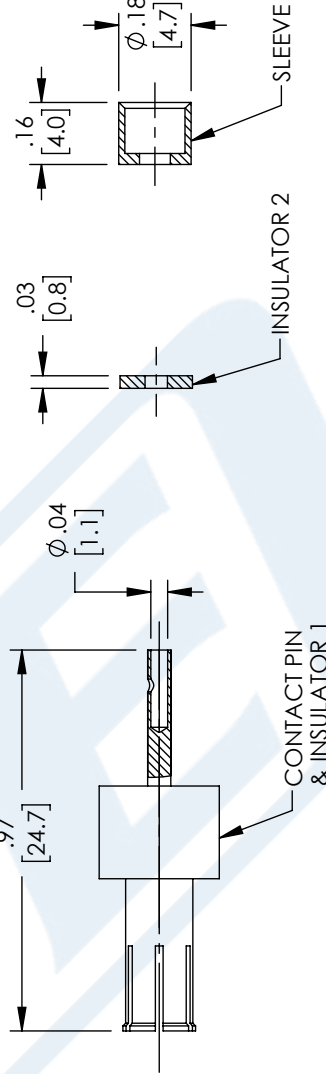
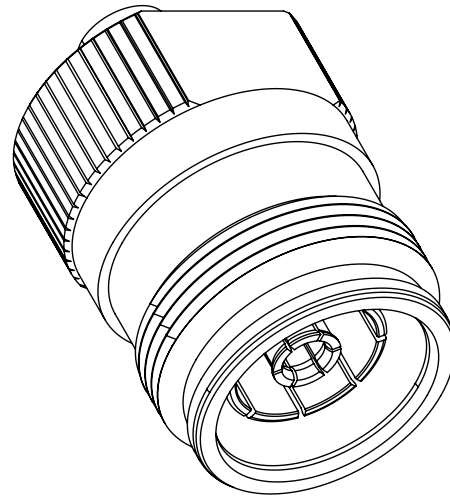
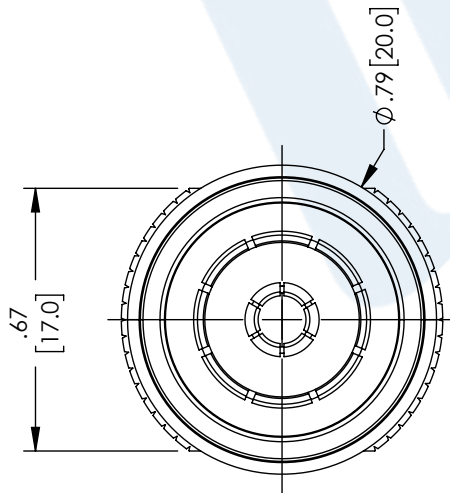
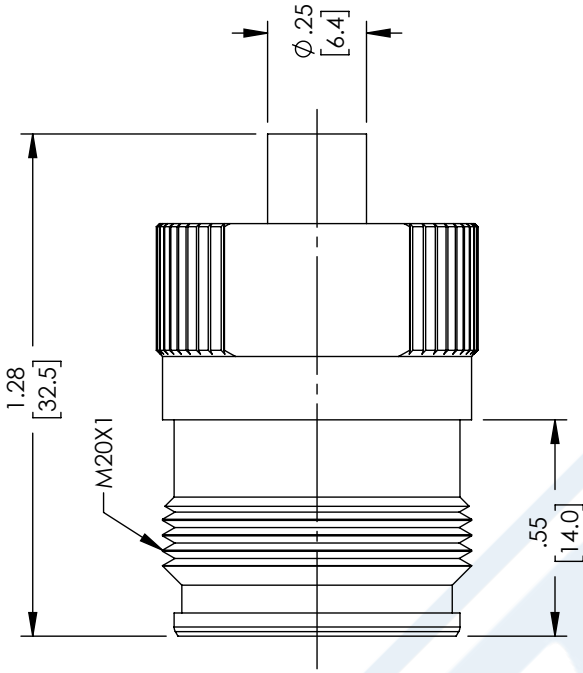
Notes:

4.3-10 Female Low PIM Connector Solder Attachment for TFT-402, TFT-402-LF from Pasternack Enterprises has same day shipment for domestic and International orders. Our RF, microwave and millimeter wave products maintain a 99.4% availability and are part of the broadest selection in the industry.

Click the following link (or enter part number in "SEARCH" on website) to obtain additional part information including price, inventory and certifications: [4.3-10 Female Low PIM Connector Solder Attachment for TFT-402, TFT-402-LF TC-402-4310F-LP](#)

URL: <https://www.pasternack.com/4.3-10-female-tft-402-connector-tc-402-4310f-lp-p.aspx>

The information contained in this document is accurate to the best of our knowledge and representative of the part described herein. It may be necessary to make modifications to the part and/or the documentation of the part, in order to implement improvements. Pasternack reserves the right to make such changes as required. Unless otherwise stated, all specifications are nominal. Pasternack does not make any representation or warranty regarding the suitability of the part described herein for any particular purpose, and Pasternack does not assume any liability arising out of the use of any part or documentation.



RECOMMENDED CABLE STRIPPING DIM'S  
Connector Add: 23.6mm

UNLESS OTHERWISE SPECIFIED  
LEADING DIMENSIONS ARE INCHES  
DIMENSIONS IN [ ] ARE MILLIMETERS

TOLERANCES:  
 .X = ±.2 [5.08] FRACTIONS ± 1/32  
 .XX = ±.02 [51] ANGLES ± 1°  
 .XXX = ±.005 [13]  
 CABLE LENGTH (L), TOLERANCES:  
 L ≤ 12 [305] = +1 [25] / -0  
 12 [305] < L ≤ 60 [1524] = +2 [51] / -0  
 60 [1524] < L ≤ 120 [3048] = +4 [102] / -0  
 120 [3048] < L ≤ 300 [7620] = +6 [152] / -0  
 300 [7620] < L = +5% / -0

ALL DIMENSIONS SHOWN  
ARE FOR REFERENCE ONLY.

**PE PASTERNAK**  
an INFINITI brand

Pasternack Enterprises, Inc.  
P. O. Box 16759, Irvine, CA 92623.  
Phone: 1.949.261.1920 | 1.866.727.8376  
Fax: 1.949.261.7451  
Website: www.pasternack.com  
E-mail: sales@pasternack.com

SIZE A CAGE CODE 53919 DRAWN BY DMAY ITEM NO. TC-402-4310F-LP

THIRD-ANGLE PROJECTION

THE INFORMATION AND DESIGN IN THIS DOCUMENT IS THE PROPERTY OF PASTERNAK CORPORATION ALL RIGHTS RESERVED.

SHEET 1 OF 1

SCALE 2:1

REV A



## 7/16 DIN Male Right Angle Low PIM Connector Solder Attachment for TFT-402, TFT-402-LF

### RF Connectors Technical Data Sheet



TC-402-716M-RA-LP

### Times Microwave Systems Connector Specification

#### Configuration

- 7/16 DIN Male Connector
- 50 Ohms
- Right Angle Body Geometry
- Connector Interface Types: TFT-402, TFT-402-LF
- Low PIM Design

#### Features

- Max. Operating Frequency 6 GHz
- Good VSWR of 1.3:1
- PIM levels lower than -160 dBc
- Silver Plated Brass Contact
- 200  $\mu$ m contact plating

#### Applications

- General Purpose Test
- Custom Cable Assemblies
- Distributed Antenna Systems (DAS)
- Wireless Communications
- Low PIM Applications

#### Description

Pasternack's TC-402-716M-RA-LP 7/16 DIN male right angle connector with solder/solder attachment for TFT-402 and TFT-402-LF is part of our full line of RF components available for same-day shipping. Our 7/16 DIN male connector operates up to a maximum frequency of 6 GHz and offers good VSWR of 1.3:1. The 7/16 DIN male connector also has low passive intermodulation of -160 dBc. Its right angle body geometry allows for easier connections in tight spaces.

Our 7/16 DIN male right angle connector TC-402-716M-RA-LP datasheet specifications and drawing with dimensions are shown below in this PDF. Pasternack's broad catalog of RF, microwave and millimeter wave connectors allows designers to configure and customize their signal connections however they like. Whether the need is to provide an I/O for a board design, or simply create a custom cable assembly configuration, Pasternack has the right connector for the job. Pasternack can also expertly build your custom cable assemblies for you and ship same-day.

#### Electrical Specifications

Description	Minimum	Typical	Maximum	Units
Frequency Range	DC		6	GHz
VSWR			1.3:1	
Insertion Loss			0.12	dB
Passive Intermodulation			-160	dBc
Operating Voltage (DC)			1,000	Vdc
Inner Conductor DC Resistance			0.4	mOhms
Outer Conductor DC Resistance			1.5	mOhms
Insulation Resistance	5,000			MOhms

Electrical Specification Notes:  
Insertion Loss is  $0.1 \cdot \sqrt{FGHz}$

Click the following link (or enter part number in "SEARCH" on website) to obtain additional part information including price, inventory and certifications: [7/16 DIN Male Right Angle Low PIM Connector Solder Attachment for TFT-402, TFT-402-LF TC-402-716M-RA-LP](#)



7/16 DIN Male Right Angle Low PIM Connector  
Solder Attachment for TFT-402, TFT-402-LF

RF Connectors  
Technical Data Sheet



TC-402-716M-RA-LP

**Mechanical Specifications**

<b>Size</b>	
Length	1.377 in [34.98 mm]
Width/Dia.	1.25 in [31.75 mm]
Mating Torque	265 in-lbs [29.95 Nm]

**Material Specifications**

Description	Material	Plating
Contact	Brass	Silver 200 µin
Insulation	PTFE	
Body	Brass	Tri-Metal 100 µin
Coupling Nut	Brass	Tri-Metal 100 µin

**Environmental Specifications**

<b>Temperature</b>	
Operating Range	-55 to +155 deg C
Shock	US MIL-STD 202, Meth. 213, Cond. I
Vibration	US MIL-STD 202, Meth. 204, Cond. B
Thermal Shock	US MIL-STD 202, Meth. 107, Cond. B

Environmental Specification Notes:  
Weather Standard: TEC 60068 55/155/56

**Compliance Certifications** (see [product page](#) for current document)

**Plotted and Other Data**

Notes:

Click the following link (or enter part number in "SEARCH" on website) to obtain additional part information including price, inventory and certifications: [7/16 DIN Male Right Angle Low PIM Connector Solder Attachment for TFT-402, TFT-402-LF TC-402-716M-RA-LP](#)



## 7/16 DIN Male Right Angle Low PIM Connector Solder Attachment for TFT-402, TFT-402-LF

### RF Connectors Technical Data Sheet



TC-402-716M-RA-LP

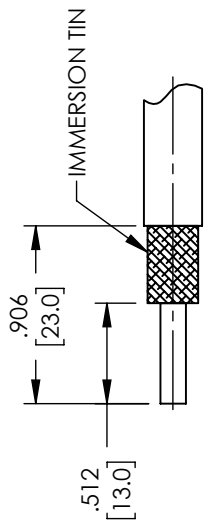
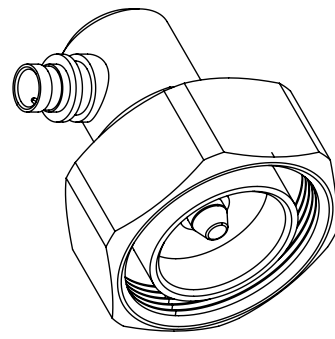
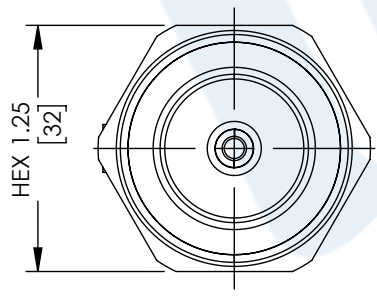
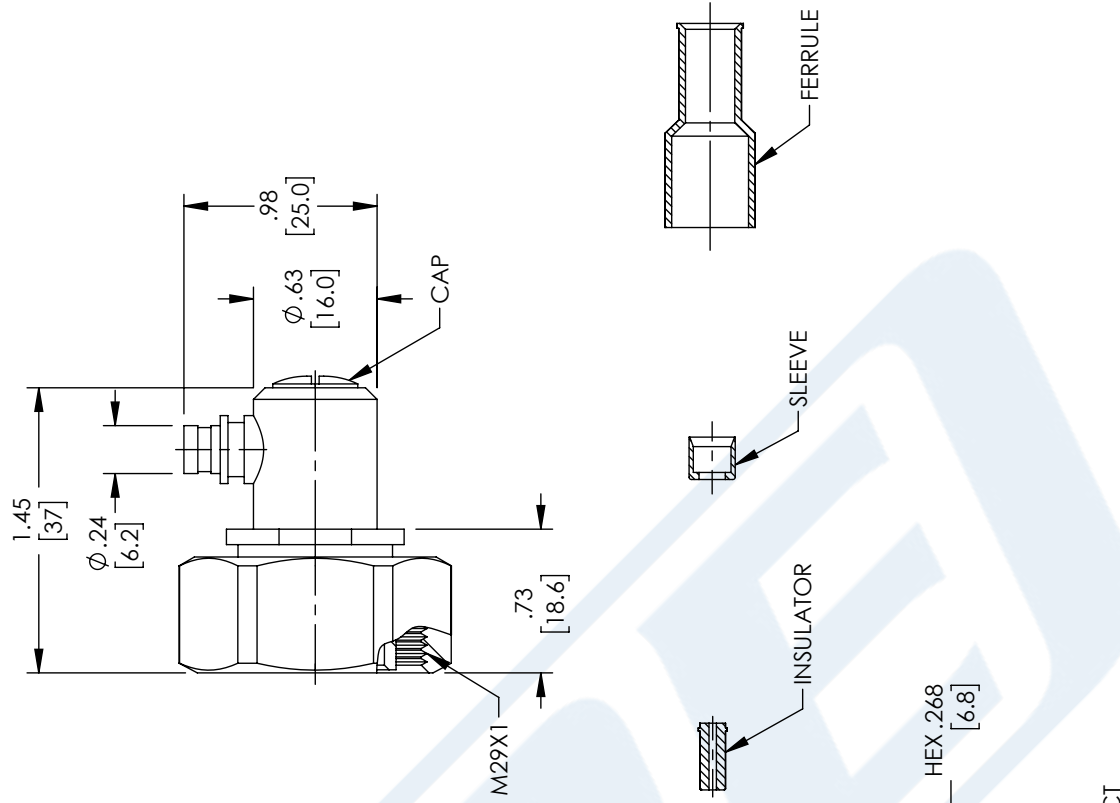
7/16 DIN Male Right Angle Low PIM Connector Solder Attachment for TFT-402, TFT-402-LF from Pasternack Enterprises has same day shipment for domestic and International orders. Our RF, microwave and millimeter wave products maintain a 99.4% availability and are part of the broadest selection in the industry.

Click the following link (or enter part number in "SEARCH" on website) to obtain additional part information including price, inventory and certifications: [7/16 DIN Male Right Angle Low PIM Connector Solder Attachment for TFT-402, TFT-402-LF TC-402-716M-RA-LP](https://www.pasternack.com/7-16-din-male-tft-402-connector-tc-402-716m-ra-lp-p.aspx)

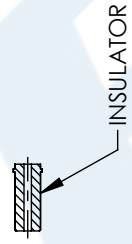
URL: <https://www.pasternack.com/7-16-din-male-tft-402-connector-tc-402-716m-ra-lp-p.aspx>

The information contained in this document is accurate to the best of our knowledge and representative of the part described herein. It may be necessary to make modifications to the part and/or the documentation of the part, in order to implement improvements. Pasternack reserves the right to make such changes as required. Unless otherwise stated, all specifications are nominal. Pasternack does not make any representation or warranty regarding the suitability of the part described herein for any particular purpose, and Pasternack does not assume any liability arising out of the use of any part or documentation.

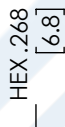
**TIMES** MICROWAVE SYSTEMS **TC-402-716M-RA-LP CAD Drawing**  
 7/16 DIN Male Right Angle Low PIM Connector Solder  
 Attachment for TFT-402, TFT-402-LF



RECOMMENDED CABLE STRIPPING DIM'S

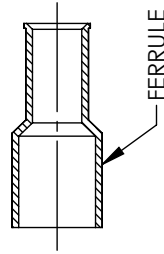


INSULATOR

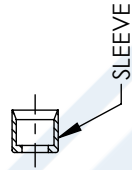


HEX .268 [6.8]

VICE JAW OF  
OUTER CONDUCT



FERRULE



SLEEVE

UNLESS OTHERWISE SPECIFIED LEADING DIMENSIONS ARE INCHES DIMENSIONS IN [ ] ARE MILLIMETERS

TOLERANCES:

.X = ±.2 [5.08]	FRACTIONS ± 1/32
.XX = ±.02 [ .51]	ANGLES ± 1°
.XXX = ±.005 [ .13]	

CABLE LENGTH (L), TOLERANCES:

L ≤ 12 [305]	± .1 [25] / -0
12 [305] < L ≤ 60 [1524]	± .2 [51] / -0
60 [1524] < L ≤ 120 [3048]	± .4 [102] / -0
120 [3048] < L ≤ 300 [7620]	± .6 [152] / -0
300 [7620] < L	± .5% / -0

ALL DIMENSIONS SHOWN ARE FOR REFERENCE ONLY.

THIRD-ANGLE PROJECTION

THE INFORMATION AND DESIGN IN THIS DOCUMENT IS THE PROPERTY OF PASTERNAK CORPORATION ALL RIGHTS RESERVED.

SHEET 1 OF 1

SCALE 1:1

**PE PASTERNAK**  
an INFINITI® brand

Pasternack Enterprises, Inc.  
 P. O. Box 16759, Irvine, CA 92623.  
 Phone: 1.949.261.1920 | 1.866.727.8376  
 Fax: 1.949.261.7451  
 Website: www.pasternack.com  
 E-mail: sales@pasternack.com

ITEM NO. TC-402-716M-RA-LP

SIZE A CAGE CODE 53919 DRAWN BY DMAY



Low PIM Flexible TFT-5G-402 Coax Cable  
Double Shielded with Blue FEP Jacket

**RF Cables**  
**Technical Data Sheet**

**TFT-5G-402**

**Times Microwave Systems Coax Cable Specification**

**Configuration**

- Low PIM Flexible Cable
- 2 Shield(s)

**Features**

- PIM < -160 dBc
- UL910 Plenum Rated Cable
- Lightweight and Extremely Flexible
- Low Loss
- Good Shielding >80 dB
- UV Resistant Jacket

**Applications**

- Base Stations
- Antenna Pigtails
- Distributed Antenna Systems
- (DAS)
- Plenum Installations
- Small Cells
- Multi-Carrier Communication Systems

**Description**

TFT-5G-402 low pim flexible coax cable by Times Microwave is part of our full line of RF components available for same-day shipping. The TFT-5G-402 plenum rated coaxial cable features a taped PTFE dielectric, solid copper center conductor and a dual-braid outer conductor. These features combine to make the Times Microwave TFT-5G-402 an extremely flexible, low loss and low PIM coax cable that is well suited for Distributed Antenna Systems (DAS), plenum installations or small cells. The tough, FEP jacket provides moisture, UV protection and resistance to corrosive environments.

Our datasheet specifications and drawing with dimensions for Times Microwave TFT-5G-402 coax cable are shown below in this PDF. Whether the need is to provide a low PIM jumper connection, low PIM antenna pigtails or simply create a custom cable assembly configuration, Pasternack has the right TFT-5G-402 cable assemblies for the job.

**Electrical Specifications**

Description	Minimum	Typical	Maximum	Units
Frequency Range	DC		5.8	GHz
Impedance		50		Ohms
Velocity of Propagation		76		%
Shielding Effectiveness	80			dB
Passive Intermodulation			-160	dBc
Nominal Capacitance		26.7 [87.6]		pF/ft [pF/m]

Click the following link (or enter part number in "SEARCH" on website) to obtain additional part information including price, inventory and certifications: [Low PIM Flexible TFT-5G-402 Coax Cable Double Shielded with Blue FEP Jacket TFT-5G-402](#)



Low PIM Flexible TFT-5G-402 Coax Cable  
Double Shielded with Blue FEP Jacket

**RF Cables**  
**Technical Data Sheet**

**TFT-5G-402**

**Performance by Frequency Band**

Description	F1	F2	F3	F4	F5	Units
Frequency	0.45	1.9	2.3	4.9	5.8	GHz
Attenuation, Typ	7.9	16.4	18.2	27	29.5	dB/100ft
	25.92	53.81	59.71	88.58	96.78	dB/100m
Input Power (CW), Max	430	200	180	120	110	Watts

**Mechanical Specifications**

Diameter	0.16 in [4.06 mm]
Weight	0.028 lbs/ft [0.04 kg/m]
Min. Bend Radius (Installation)	0.75 in [19.05 mm]

**Construction Specifications**

Description	Material and Plating	Diameter
Inner Conductor	Copper, 1 Strand	0.037 in [0.94 mm]
Conductor Type	Solid	
Dielectric	PTFE	0.113 in [2.87 mm]
First Shield	Tin	0.121 in [3.07 mm]
Outer Conductor	Copper, Tin	0 in [0 mm]
Jacket	FEP, Blue	0.16 in [4.06 mm]

**Environmental Specifications**

<b>Temperature</b>	
Operating Range	-55 to +150 deg C

Click the following link (or enter part number in "SEARCH" on website) to obtain additional part information including price, inventory and certifications: [Low PIM Flexible TFT-5G-402 Coax Cable Double Shielded with Blue FEP Jacket TFT-5G-402](#)



Low PIM Flexible TFT-5G-402 Coax Cable  
Double Shielded with Blue FEP Jacket

**RF Cables**  
**Technical Data Sheet**

**TFT-5G-402**

**Compliance Certifications** (see [product page](#) for current document)

**Plotted and Other Data**

Notes:

Low PIM Flexible TFT-5G-402 Coax Cable Double Shielded with Blue FEP Jacket from Pasternack Enterprises has same day shipment for domestic and International orders. Our RF, microwave and millimeter wave products maintain a 99.4% availability and are part of the broadest selection in the industry.

Click the following link (or enter part number in "SEARCH" on website) to obtain additional part information including price, inventory and certifications: [Low PIM Flexible TFT-5G-402 Coax Cable Double Shielded with Blue FEP Jacket TFT-5G-402](#)

URL: <https://www.pasternack.com/low-pim-flexible-tft-5g-402-fep-jacket-tin-outer-conductor-double-shielded-tft-5g-402-p.aspx>

The information contained in this document is accurate to the best of our knowledge and representative of the part described herein. It may be necessary to make modifications to the part and/or the documentation of the part, in order to implement improvements. Pasternack reserves the right to make such changes as required. Unless otherwise stated, all specifications are nominal. Pasternack does not make any representation or warranty regarding the suitability of the part described herein for any particular purpose, and Pasternack does not assume any liability arising out of the use of any part or documentation.

# TFT-5G-402 CAD Drawing

Low PIM Flexible TFT-5G-402 Coax Cable Double Shielded with Blue FEP Jacket

REVISIONS			
REV.	DESCRIPTION	DATE	APPROVED
A	INITIAL RELEASE	09/13/2022	A. GANWANI



Center Conductor	.037 [0.94]	Bare Copper
Dielectric	.113 [2.87]	Taped PTFE
Shield	.121 [3.07]	Tin Plated Flat Braid
Outer Braid	.138 [3.51]	Tin Plated Copper Braid
Jacket	.160 [4.06]	Blue FEP

UNLESS OTHERWISE SPECIFIED LEADING DIMENSIONS ARE INCHES DIMENSIONS IN [ ] ARE MILLIMETERS

**TOLERANCES:**

.X = ±.2 [5.08]      FRACTIONS ± 1/32  
 .XX = ±.02 [ .51]      ANGLES ± 1°  
 .XXX = ±.005 [ .13]

**CABLE LENGTH (L) TOLERANCES:**

L ≤ 12 [305] = +1 [25] / -0  
 12 [305] < L ≤ 60 [1524] = +2 [51] / -0  
 60 [1524] < L ≤ 120 [3048] = +4 [102] / -0  
 120 [3048] < L ≤ 300 [7620] = +6 [152] / -0  
 300 [7620] < L = +5% / -0

ALL DIMENSIONS SHOWN ARE FOR REFERENCE ONLY.

**(PE) PASTERNAK®**  
 an INFINITE® brand

Pasternack Enterprises, Inc.  
 P. O. Box 16759, Irvine, CA 92623.  
 Phone: 1.949.261.1920 | 1.866.727.8376  
 Fax: 1.949.261.7451  
 Website: www.pasternack.com  
 E-mail: sales@pasternack.com

SIZE [CAGE CODE] DRAWN BY ITEM NO.  
 A 53919 K.DANG TFT-5G-402

THIRD-ANGLE PROJECTION

THE INFORMATION AND DESIGN IN THIS DOCUMENT IS THE PROPERTY OF PASTERNAK CORPORATION ALL RIGHTS RESERVED.

SHEET 1 OF 1

SCALE N/A

REV A