



## SHV Plug Connector Crimp/Solder Attachment for RG213, RG8

### RF Connectors Technical Data Sheet

PE4496

#### Configuration

- SHV Plug Connector
- 50 Ohms
- Straight Body Geometry
- Connector Interface Types: RG213, RG8

#### Features

- Max. Operating Frequency 300 MHz
- Gold Plated Brass Contact
- 30 pinches minimum contact plating

#### Applications

- General Purpose Test
- Custom Cable Assemblies

#### Description

Pasternack's PE4496 SHV plug connector with crimp/solder attachment for RG213 and RG8 is part of our full line of RF components available for same-day shipping. Our SHV plug connector operates up to a maximum frequency of 300 MHz.

Our SHV plug connector PE4496 datasheet specifications and drawing with dimensions are shown below in this PDF. Pasternack's broad catalog of RF, microwave and millimeter wave connectors allows designers to configure and customize their signal connections however they like. Whether the need is to provide an I/O for a board design, or simply create a custom cable assembly configuration, Pasternack has the right connector for the job. Pasternack can also expertly build your custom cable assemblies for you and ship same-day.

#### Electrical Specifications

| Description            | Minimum | Typical | Maximum | Units |
|------------------------|---------|---------|---------|-------|
| Frequency Range        | DC      |         | 300     | MHz   |
| Operating Voltage (AC) |         |         | 3,500   | Vrms  |

#### Mechanical Specifications

| Size       |                     |
|------------|---------------------|
| Length     | 2.11 in [53.59 mm]  |
| Width/Dia. | 0.571 in [14.50 mm] |
| Weight     | 0.055 lbs [24.95 g] |

Click the following link (or enter part number in "SEARCH" on website) to obtain additional part information including price, inventory and certifications: [SHV Plug Connector Crimp/Solder Attachment for RG213, RG8 PE4496](#)



## SHV Plug Connector Crimp/Solder Attachment for RG213, RG8

### RF Connectors Technical Data Sheet

PE4496

#### Material Specifications

| Description | Material | Plating                       |
|-------------|----------|-------------------------------|
| Contact     | Brass    | Gold<br>30 microns minimum    |
| Insulation  | Teflon   |                               |
| Body        | Brass    | Nickel<br>100 microns minimum |

#### Environmental Specifications

##### Temperature

Operating Range -65 to +165 deg C

**Compliance Certifications** (see [product page](#) for current document)

#### Plotted and Other Data

Notes:

SHV Plug Connector Crimp/Solder Attachment for RG213, RG8 from Pasternack Enterprises has same day shipment for domestic and International orders. Our RF, microwave and millimeter wave products maintain a 99.4% availability and are part of the broadest selection in the industry.

Click the following link (or enter part number in "SEARCH" on website) to obtain additional part information including price, inventory and certifications: [SHV Plug Connector Crimp/Solder Attachment for RG213, RG8 PE4496](#)

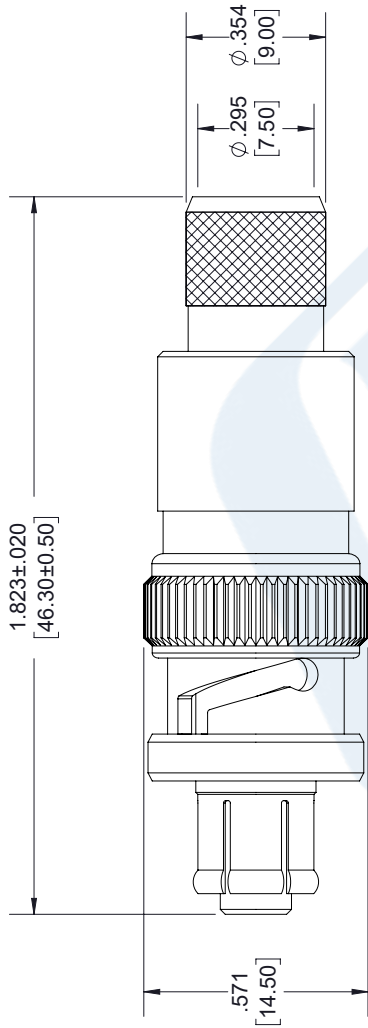
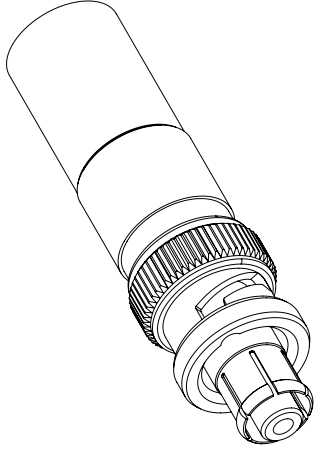
URL: <https://www.pasternack.com/shv-plug-standard-rg213-rg8-connector-pe4496-p.aspx>

The information contained in this document is accurate to the best of our knowledge and representative of the part described herein. It may be necessary to make modifications to the part and/or the documentation of the part, in order to implement improvements. Pasternack reserves the right to make such changes as required. Unless otherwise stated, all specifications are nominal. Pasternack does not make any representation or warranty regarding the suitability of the part described herein for any particular purpose, and Pasternack does not assume any liability arising out of the use of any part or documentation.

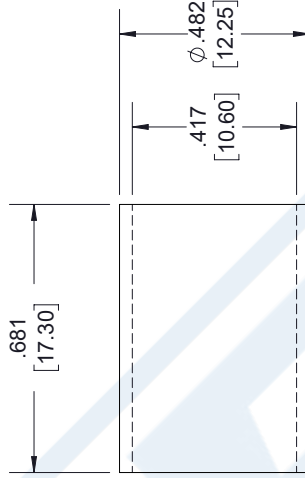
# PE4496 CAD Drawing

SHV Plug Connector Crimp/Solder Attachment for RG213, RG8

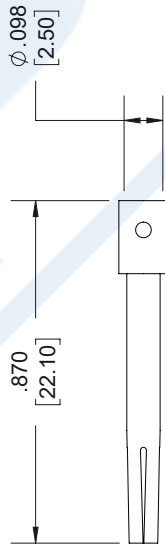
| REVISIONS |                 |          |          |
|-----------|-----------------|----------|----------|
| REV.      | DESCRIPTION     | DATE     | APPROVED |
| A         | INITIAL RELEASE | 10/01/19 | S.ELLIS  |



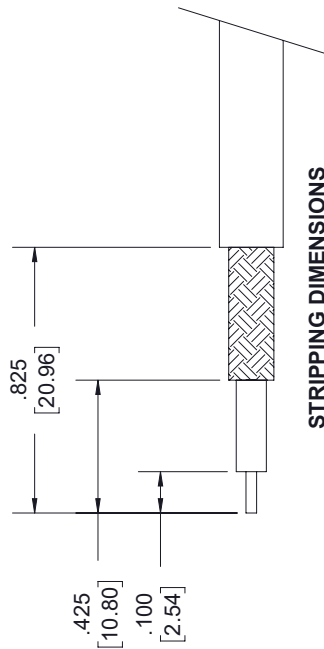
SHV PLUG



FERRULE



CONTACT



STRIPPING DIMENSIONS

NOTES:

- CABLE ATTACHMENT:
  - OUTER: CRIMP.
  - INNER: SOLDER.
- CRIMP SIZE REQUIRED:
  - FERRULE: .429 [10.90] HEX. CRIMP TOOL.
  - CONTACT: SOLDER.

UNLESS OTHERWISE SPECIFIED  
LEADING DIMENSIONS ARE INCHES  
DIMENSIONS IN [ ] ARE MILLIMETERS

TOLERANCES:  
X±.2 [5.08] FRACTIONS  
XX±.01 [0.25] ±132  
XXX±.005 [0.13] ANGLES ± 1°

ALL DIMENSIONS SHOWN  
ARE FOR REFERENCE ONLY.

THIRD-ANGLE PROJECTION



Pasternack Enterprises, Inc.  
P.O. Box 16759, Irvine, CA 92623.  
Phone: 1.949.261.1920 | 1.866.727.8376  
Fax: 1.949.261.7451  
www.pasternack.com | e-mail: sales@pasternack.com

THE INFORMATION AND  
DESIGN IN THIS DOCUMENT  
IS THE PROPERTY OF  
PASTERNAK CORPORATION.  
ALL RIGHTS RESERVED.

SHEET 1 OF 1  
SCALE N/A

|      |           |          |             |     |
|------|-----------|----------|-------------|-----|
| SIZE | CAGE CODE | DRAWN BY | PART NUMBER | REV |
| A    | 53919     | K.DANG   | PE4496      | A   |

THESE COMMODITIES, TECHNOLOGY OR SOFTWARE WERE EXPORTED FROM THE UNITED STATES IN ACCORDANCE WITH THE EXPORT ADMINISTRATION REGULATIONS. DIVERSION CONTRARY TO U.S. LAW PROHIBITED.



## SHV Plug Connector Crimp/Solder Attachment for RG213, RG8

### RF Connectors Technical Data Sheet

PE4496

#### Configuration

- SHV Plug Connector
- 50 Ohms
- Straight Body Geometry
- Connector Interface Types: RG213, RG8

#### Features

- Max. Operating Frequency 300 MHz
- Gold Plated Brass Contact
- 30 pinches minimum contact plating

#### Applications

- General Purpose Test
- Custom Cable Assemblies

#### Description

Pasternack's PE4496 SHV plug connector with crimp/solder attachment for RG213 and RG8 is part of our full line of RF components available for same-day shipping. Our SHV plug connector operates up to a maximum frequency of 300 MHz.

Our SHV plug connector PE4496 datasheet specifications and drawing with dimensions are shown below in this PDF. Pasternack's broad catalog of RF, microwave and millimeter wave connectors allows designers to configure and customize their signal connections however they like. Whether the need is to provide an I/O for a board design, or simply create a custom cable assembly configuration, Pasternack has the right connector for the job. Pasternack can also expertly build your custom cable assemblies for you and ship same-day.

#### Electrical Specifications

| Description            | Minimum | Typical | Maximum | Units |
|------------------------|---------|---------|---------|-------|
| Frequency Range        | DC      |         | 300     | MHz   |
| Operating Voltage (AC) |         |         | 3,500   | Vrms  |

#### Mechanical Specifications

##### Size

|            |                     |
|------------|---------------------|
| Length     | 2.11 in [53.59 mm]  |
| Width/Dia. | 0.571 in [14.50 mm] |
| Weight     | 0.055 lbs [24.95 g] |

Click the following link (or enter part number in "SEARCH" on website) to obtain additional part information including price, inventory and certifications: [SHV Plug Connector Crimp/Solder Attachment for RG213, RG8 PE4496](#)



## SHV Plug Connector Crimp/Solder Attachment for RG213, RG8

### RF Connectors Technical Data Sheet

PE4496

#### Material Specifications

| Description | Material | Plating                       |
|-------------|----------|-------------------------------|
| Contact     | Brass    | Gold<br>30 pinches minimum    |
| Insulation  | Teflon   |                               |
| Body        | Brass    | Nickel<br>100 pinches minimum |

#### Environmental Specifications

##### Temperature

Operating Range -65 to +165 deg C

**Compliance Certifications** (see [product page](#) for current document)

#### Plotted and Other Data

Notes:

SHV Plug Connector Crimp/Solder Attachment for RG213, RG8 from Pasternack Enterprises has same day shipment for domestic and International orders. Our RF, microwave and millimeter wave products maintain a 99.4% availability and are part of the broadest selection in the industry.

Click the following link (or enter part number in "SEARCH" on website) to obtain additional part information including price, inventory and certifications: [SHV Plug Connector Crimp/Solder Attachment for RG213, RG8 PE4496](#)

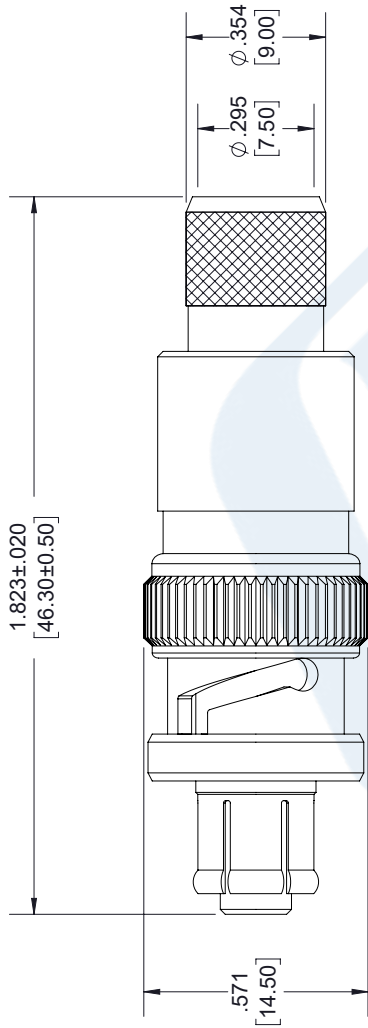
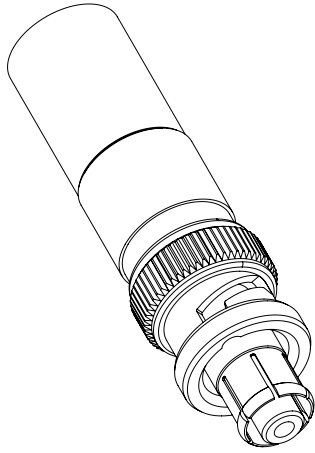
URL: <https://www.pasternack.com/shv-plug-standard-rg213-rg8-connector-pe4496-p.aspx>

The information contained in this document is accurate to the best of our knowledge and representative of the part described herein. It may be necessary to make modifications to the part and/or the documentation of the part, in order to implement improvements. Pasternack reserves the right to make such changes as required. Unless otherwise stated, all specifications are nominal. Pasternack does not make any representation or warranty regarding the suitability of the part described herein for any particular purpose, and Pasternack does not assume any liability arising out of the use of any part or documentation.

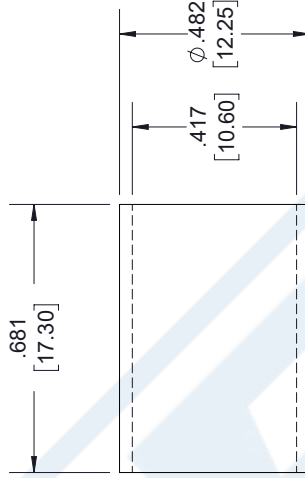
# PE4496 CAD Drawing

SHV Plug Connector Crimp/Solder Attachment for RG213, RG8

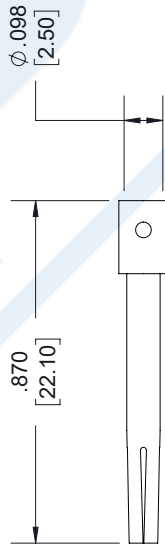
| REVISIONS |                 |          |          |
|-----------|-----------------|----------|----------|
| REV.      | DESCRIPTION     | DATE     | APPROVED |
| A         | INITIAL RELEASE | 10/01/19 | S.ELLIS  |



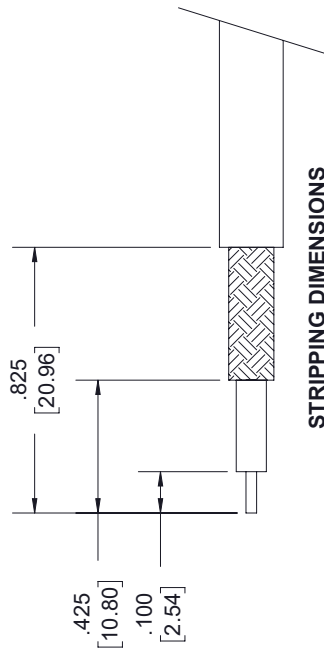
SHV PLUG



FERRULE



CONTACT



STRIPPING DIMENSIONS

NOTES:

- CABLE ATTACHMENT:
  - OUTER: CRIMP.
  - INNER: SOLDER.
- CRIMP SIZE REQUIRED:
  - FERRULE: .429 [10.90] HEX. CRIMP TOOL.
  - CONTACT: SOLDER.

UNLESS OTHERWISE SPECIFIED  
LEADING DIMENSIONS ARE INCHES  
DIMENSIONS IN [ ] ARE MILLIMETERS

TOLERANCES:  
X±.2 [5.08] FRACTIONS  
XX±.01 [ .25] ±.132  
.XXX±.005 [ .13] ANGLES ± 1°

ALL DIMENSIONS SHOWN  
ARE FOR REFERENCE ONLY.

THIRD-ANGLE PROJECTION

**PE PASTERNAK**  
an INFINITO brand

Pasternack Enterprises, Inc.  
P.O. Box 16759, Irvine, CA 92623.  
Phone: 1.949.261.1920 | 1.866.727.8376  
Fax: 1.949.261.7451  
www.pasternack.com | e-mail: sales@pasternack.com

THE INFORMATION AND DESIGN IN THIS DOCUMENT IS THE PROPERTY OF PASTERNAK CORPORATION. ALL RIGHTS RESERVED.

SHEET 1 OF 1  
SCALE N/A

SIZE [CAGE CODE] DRAWN BY PART NUMBER  
A 53919 K.DANG PE4496 REV A

THESE COMMODITIES, TECHNOLOGY OR SOFTWARE WERE EXPORTED FROM THE UNITED STATES IN ACCORDANCE WITH THE EXPORT ADMINISTRATION REGULATIONS. DIVERSION CONTRARY TO U.S. LAW PROHIBITED.



## 20kV Flexible RG213 High Voltage Coax Cable Single Shielded with Red PUR Jacket

### RF Cables Technical Data Sheet

### RG213HV

#### Configuration

- 1 Shield(s)

#### Features

- Voltage rating up to 20kV
- Low Signal Attenuation
- Robust Insulation
- Flexible and Durable

#### Applications

- Semiconductor Testing
- Radar Systems
- Broadcast Stations
- Research and Development
- Military and Defense

#### Description

RG213HV part number from Pasternack is a coax cable that is flexible. Pasternack's flexible coax RF cable has an impedance of 50 Ohm and PE dielectric. Our RG213HV coax cable is constructed with a 0.394-inch jacket made of red polyurethane. Our coax cable from Pasternack has a maximum frequency of 1000 MHz. This red colored coax cable has a 0.317-inch shield layer of tinned copper braid. Additional specifications for this RG213HV single-shielded RF coaxial cable are on our downloadable PDF datasheet above. Our RG213HV coax cable has a maximum operating temperature of 70 degrees C. This 20kV red-colored flexible RF cable with a 50 Ohm impedance has a typical insertion loss/maximum attenuation of 0.09 dB/ft at a frequency of 1000 MHz. The RG213HV flexible RF cable has a stranded copper center conductor with bare conductor plating.

RG213 high-voltage RF cable is specifically designed for radio frequency applications that require handling high levels of voltage. With a rated voltage of 20kV, this cable ensures safe and efficient transmission of high-voltage RF signals. It is commonly used in industrial applications where reliable RF signal distribution is essential. The RG213 cable is built with durable insulation materials and conductors to minimize signal loss and maintain excellent performance. Adhering to safety guidelines and proper installation practices are essential when working with this cable to maintain electrical safety and preserve signal integrity. Pasternack RG213HV coax cables are part of over 40,000 RF, microwave, and millimeter wave components. These flexible RF cables and our other RF parts are available for same-day shipping worldwide. Custom RF cable assemblies using RG213HV other coax can be built and shipped the same business day as well.

#### Electrical Specifications

| Description                       | Minimum | Typical | Maximum | Units     |
|-----------------------------------|---------|---------|---------|-----------|
| Frequency Range                   | DC      |         | 1,000   | MHz       |
| Impedance                         |         | 50      |         | Ohms      |
| Operating Voltage (DC)            |         |         | 20,000  | Vdc       |
| Test Voltage (Conductor/Braid)    |         | 41      |         | kVoc/1min |
| Test Voltage (Spark Test, Core)   |         | 15      |         | kVac      |
| Test Voltage (Spark Test, Jacket) |         | 5       |         | kVac      |
| Test Voltage (Type Test)          |         | 32      |         | kVoc      |

Click the following link (or enter part number in "SEARCH" on website) to obtain additional part information including price, inventory and certifications: [20kV Flexible RG213 High Voltage Coax Cable Single Shielded with Red PUR Jacket RG213HV](#)



20kV Flexible RG213 High Voltage Coax Cable  
Single Shielded with Red PUR Jacket

**RF Cables**  
**Technical Data Sheet**

**RG213HV**

**Performance by Frequency Band**

| Description      | F1   | F2   | F3    | F4    | F5 | Units    |
|------------------|------|------|-------|-------|----|----------|
| Frequency        | 50   | 100  | 400   | 1,000 |    | MHz      |
| Attenuation, Typ | 1.2  | 2.3  | 4.8   | 9     |    | dB/100ft |
|                  | 3.94 | 7.55 | 15.75 | 29.53 |    |          |

**Mechanical Specifications**

|                             |                          |
|-----------------------------|--------------------------|
| Diameter                    | 0.394 in [10.01 mm]      |
| Weight                      | 0.097 lbs/ft [0.14 kg/m] |
| Min. Bend Radius (Repeated) | 1.969 in [50.01 mm]      |

**Construction Specifications**

| Description     | Material and Plating    | Diameter            |
|-----------------|-------------------------|---------------------|
| Inner Conductor | Copper, Bare, 7 Strands | 0.089 in [2.26 mm]  |
| Conductor Type  | Stranded                |                     |
| Dielectric      | PE                      | 0.286 in [7.26 mm]  |
| First Shield    | Tinned Copper Braid     | 0.317 in [8.05 mm]  |
| Jacket          | Polyurethane, Red       | 0.394 in [10.01 mm] |

**Environmental Specifications**

|                    |                  |
|--------------------|------------------|
| <b>Temperature</b> |                  |
| Operating Range    | -30 to +70 deg C |

Click the following link (or enter part number in "SEARCH" on website) to obtain additional part information including price, inventory and certifications: [20kV Flexible RG213 High Voltage Coax Cable Single Shielded with Red PUR Jacket RG213HV](#)



## 20kV Flexible RG213 High Voltage Coax Cable Single Shielded with Red PUR Jacket

### RF Cables Technical Data Sheet

**RG213HV**

**Compliance Certifications** (see [product page](#) for current document)

#### Plotted and Other Data

Notes:

- 1) All tests performed in accordance with MIL-DTL-17 (current issue).
- 2) All materials are RoHS and REACH compliant.

20kV Flexible RG213 High Voltage Coax Cable Single Shielded with Red PUR Jacket from Pasternack Enterprises has same day shipment for domestic and international orders. Our RF, microwave and millimeter wave products maintain a 99.4% availability and are part of the broadest selection in the industry.

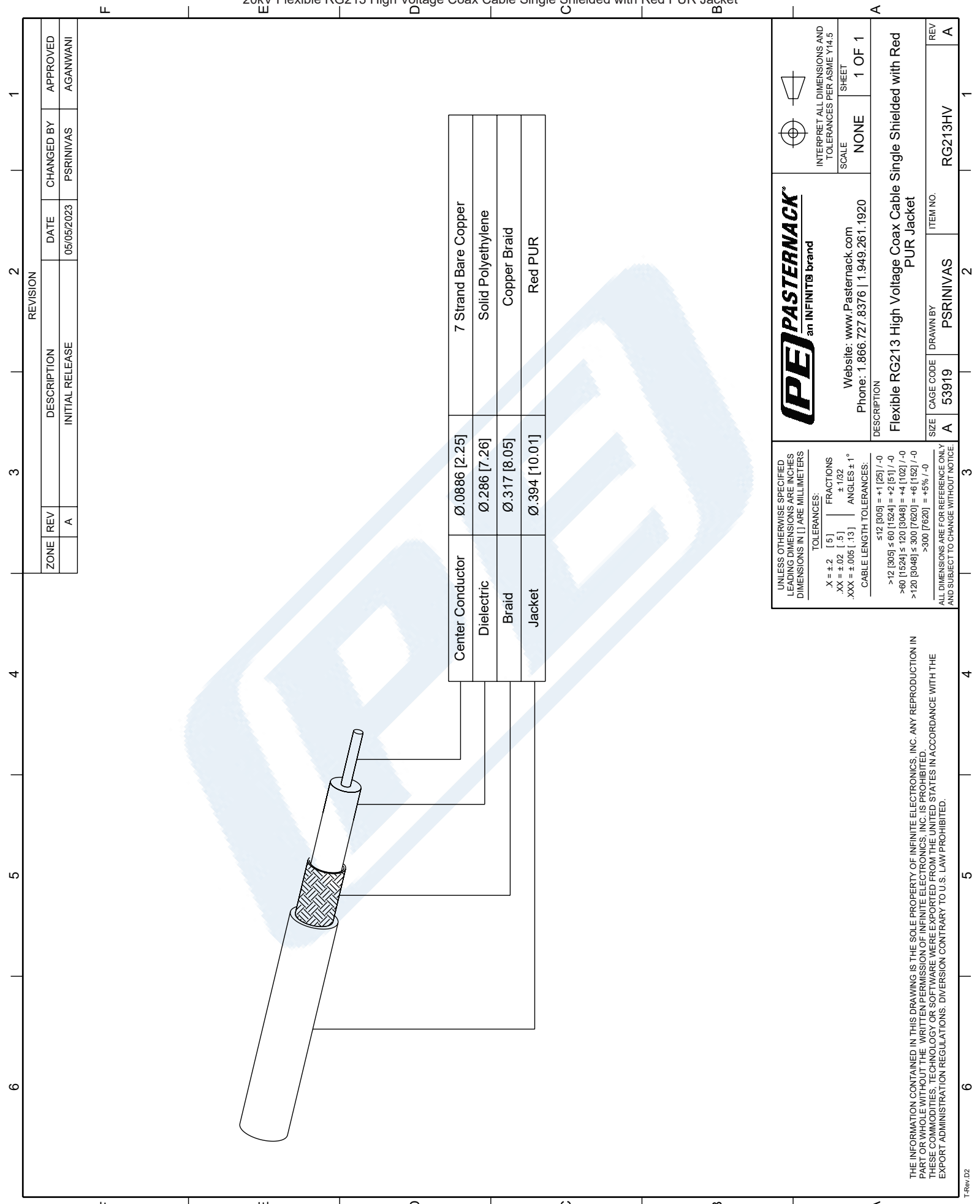
Click the following link (or enter part number in "SEARCH" on website) to obtain additional part information including price, inventory and certifications: [20kV Flexible RG213 High Voltage Coax Cable Single Shielded with Red PUR Jacket RG213HV](#)

URL: <https://www.pasternack.com/flexible-rg213-polyurethane-jacket-tinned-copper-braid-outer-conductor-single-shielded-rg213hv-p.aspx>

The information contained in this document is accurate to the best of our knowledge and representative of the part described herein. It may be necessary to make modifications to the part and/or the documentation of the part, in order to implement improvements. Pasternack reserves the right to make such changes as required. Unless otherwise stated, all specifications are nominal. Pasternack does not make any representation or warranty regarding the suitability of the part described herein for any particular purpose, and Pasternack does not assume any liability arising out of the use of any part or documentation.

# RG213HV CAD Drawing

20kV Flexible RG213 High Voltage Coax Cable Single Shielded with Red PUR Jacket



|                  |               |                      |
|------------------|---------------|----------------------|
| Center Conductor | Ø.0886 [2.25] | 7 Strand Bare Copper |
| Dielectric       | Ø.286 [7.26]  | Solid Polyethylene   |
| Braid            | Ø.317 [8.05]  | Copper Braid         |
| Jacket           | Ø.394 [10.01] | Red PUR              |

| REVISION |     |                 |            |            |          |
|----------|-----|-----------------|------------|------------|----------|
| ZONE     | REV | DESCRIPTION     | DATE       | CHANGED BY | APPROVED |
|          | A   | INITIAL RELEASE | 05/05/2023 | PSRINIVAS  | AGANWANI |

UNLESS OTHERWISE SPECIFIED LEADING DIMENSIONS ARE INCHES DIMENSIONS IN [ ] ARE MILLIMETERS

TOLERANCES:  
 .X = ±.2 [ .5 ] FRACTIONS  
 .XX = ±.02 [ .5 ] ± 1/32  
 .XXX = ±.005 [ .13 ] ANGLES ± 1°

CABLE LENGTH TOLERANCES:  
 ≤12 [305] = +1[25] / -0  
 >12 [305] ≤ 60 [1524] = +2[51] / -0  
 >60 [1524] ≤ 120 [3048] = +4 [102] / -0  
 >120 [3048] ≤ 300 [7620] = +6 [152] / -0  
 >300 [7620] = +5% / -0

ALL DIMENSIONS ARE FOR REFERENCE ONLY AND SUBJECT TO CHANGE WITHOUT NOTICE

**PE PASTERNAK**  
an INFINITI® brand

Website: [www.Pasternack.com](http://www.Pasternack.com)  
 Phone: 1.866.727.8376 | 1.949.261.1920

DESCRIPTION  
**Flexible RG213 High Voltage Coax Cable Single Shielded with Red PUR Jacket**

SCALE: NONE SHEET: 1 OF 1

INTERPRET ALL DIMENSIONS AND TOLERANCES PER ASME Y14.5

|      |            |           |          |     |
|------|------------|-----------|----------|-----|
| SIZE | CABLE CODE | DRAWN BY  | ITEM NO. | REV |
| A    | 53919      | PSRINIVAS | RG213HV  | A   |

THE INFORMATION CONTAINED IN THIS DRAWING IS THE SOLE PROPERTY OF INFINITE ELECTRONICS, INC. ANY REPRODUCTION IN PART OR WHOLE WITHOUT THE WRITTEN PERMISSION OF INFINITE ELECTRONICS, INC. IS PROHIBITED. THESE COMMODITIES, TECHNOLOGY OR SOFTWARE WERE EXPORTED FROM THE UNITED STATES IN ACCORDANCE WITH THE EXPORT ADMINISTRATION REGULATIONS. DIVERSION CONTRARY TO U.S. LAW PROHIBITED.