



75 Ohm BNC Male Connector Crimp/Crimp Attachment for RG59, RG62, RG71

RF Connectors Technical Data Sheet

PE4602

**Configuration**

- BNC Male Connector
- 75 Ohms
- Straight Body Geometry
- RG59, RG62, RG71 Interface Type
- Crimp/Crimp Attachment

**Features**

- Max. Operating Frequency 1,000 MHz
- Good VSWR of 1.3:1
- Gold Plated Brass Contact
- 30 µin minimum contact plating

**Applications**

- General Purpose Test
- Custom Cable Assemblies
- CATV

**Description**

Pasternack's PE4602 75 ohm BNC male connector with crimp/crimp attachment for RG59, RG62 and RG71 is part of our full line of RF components available for same-day shipping. Our BNC male connector operates up to a maximum frequency of 1,000 MHz and offers good VSWR of 1.3:1.

Our 75 ohm BNC male connector PE4602 datasheet specifications and drawing with dimensions are shown below in this PDF. Pasternack's broad catalog of RF, microwave and millimeter wave connectors allows designers to configure and customize their signal connections however they like. Whether the need is to provide an I/O for a board design, or simply create a custom cable assembly configuration, Pasternack has the right connector for the job. Pasternack can also expertly build your custom cable assemblies for you and ship same-day.

**Electrical Specifications**

| Description            | Minimum | Typical | Maximum | Units |
|------------------------|---------|---------|---------|-------|
| Frequency Range        | DC      |         | 1,000   | MHz   |
| VSWR                   |         |         | 1.3:1   |       |
| Operating Voltage (AC) |         |         | 500     | Vrms  |

**Mechanical Specifications**

| Size       |                     |
|------------|---------------------|
| Length     | 1.132 in [28.75 mm] |
| Width/Dia. | 0.571 in [14.50 mm] |
| Weight     | 0.027 lbs [12.25 g] |

Click the following link (or enter part number in "SEARCH" on website) to obtain additional part information including price, inventory and certifications: [75 Ohm BNC Male Connector Crimp/Crimp Attachment for RG59, RG62, RG71 PE4602](#)



## 75 Ohm BNC Male Connector Crimp/Crimp Attachment for RG59, RG62, RG71

### RF Connectors Technical Data Sheet

PE4602

#### Material Specifications

| Description  | Material | Plating                   |
|--------------|----------|---------------------------|
| Contact      | Brass    | Gold<br>30 µin minimum    |
| Insulation   | PTFE     |                           |
| Body         | Brass    | Nickel<br>100 µin minimum |
| Coupling Nut | Brass    | Nickel<br>100 µin minimum |
| Crimp Sleeve | Brass    | Nickel                    |

#### Environmental Specifications

##### Temperature

Operating Range -65 to +165 deg C

**Compliance Certifications** (see [product page](#) for current document)

#### Plotted and Other Data

Notes:

75 Ohm BNC Male Connector Crimp/Crimp Attachment for RG59, RG62, RG71 from Pasternack Enterprises has same day shipment for domestic and International orders. Our RF, microwave and millimeter wave products maintain a 99% availability and are part of the broadest selection in the industry.

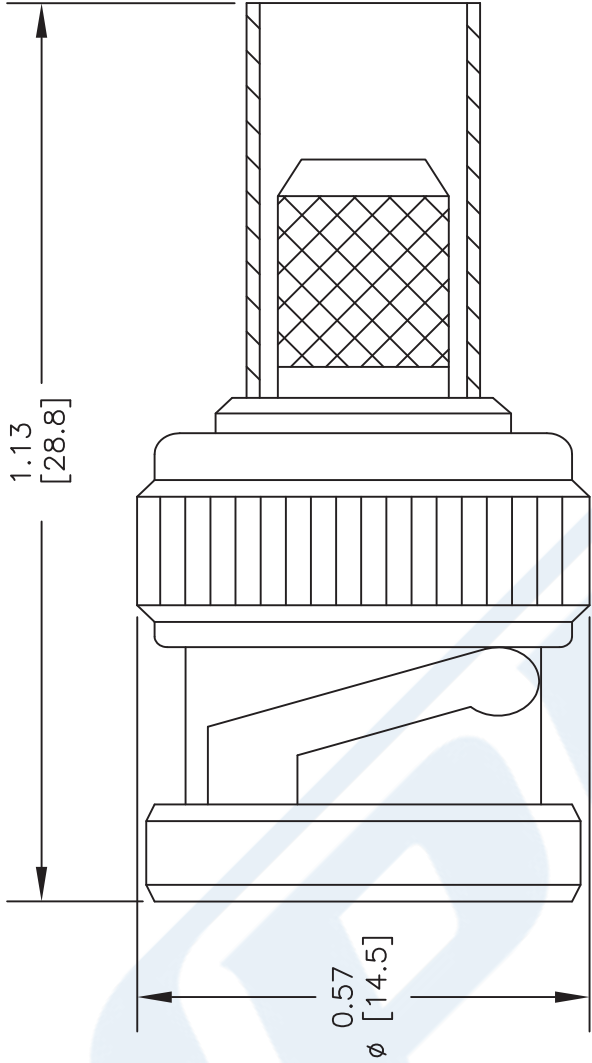
Click the following link (or enter part number in "SEARCH" on website) to obtain additional part information including price, inventory and certifications: [75 Ohm BNC Male Connector Crimp/Crimp Attachment for RG59, RG62, RG71 PE4602](#)

URL: <https://www.pasternack.com/bnc-male-rg59-connector-pe4602-p.aspx>

The information contained in this document is accurate to the best of our knowledge and representative of the part described herein. It may be necessary to make modifications to the part and/or the documentation of the part, in order to implement improvements. Pasternack reserves the right to make such changes as required. Unless otherwise stated, all specifications are nominal. Pasternack does not make any representation or warranty regarding the suitability of the part described herein for any particular purpose, and Pasternack does not assume any liability arising out of the use of any part or documentation.

# PE4602 CAD Drawing

75 Ohm BNC Male Connector Crimp/Crimp Attachment for RG59, RG62, RG71



## STRIPPING DIMENSIONS

### CRIMP SIZE REQUIRED

CONTACT: .068" HEX CRIMP TOOL

FERRULE: .255" HEX CRIMP TOOL

DWG TITLE

**PE4602**

- NOTES:
1. UNLESS OTHERWISE SPECIFIED ALL DIMENSIONS ARE NOMINAL.
  2. ALL SPECIFICATIONS ARE SUBJECT TO CHANGE WITHOUT NOTICE AT ANY TIME.
  3. DIMENSIONS ARE IN INCHES [mm].
  4. FITS MIL-C-17 AND EQUIVALENT CABLES.

FSCM NO. 53919

CAD FILE 052402

SCALE N/A

SIZE A

2233



**PASTERNAK®**  
 Pasternack Enterprises, Inc.  
 P.O. Box 16759 | Irvine | CA | 92623  
**Phone:** (949) 261-1920 | **Fax:** (949) 261-7451  
**Website:** www.pasternack.com | **E-Mail:** sales@pasternack.com



SHV plug crimp right angle for RG59

## RF Connectors Technical Data Sheet

**PE45847**

### Configuration

- SHV Plug Connector
- MIL-STD-348B
- 50 Ohms
- Right Angle Body Geometry
- Connector Interface Types: RG59

### Features

- Max. Operating Frequency 300 MHz
- Gold over Nickel over copper Plated Brass Contact

### Applications

- General Purpose Test
- Custom Cable Assemblies

### Description

Pasternack's PE45847 SHV plug right angle connector with crimp/solder attachment for RG59 is part of our full line of RF components available for same-day shipping. Our SHV plug connector operates up to a maximum frequency of 300 MHz. Its right angle body geometry allows for easier connections in tight spaces.

Our SHV plug right angle connector PE45847 datasheet specifications and drawing with dimensions are shown below in this PDF. Pasternack's broad catalog of RF, microwave and millimeter wave connectors allows designers to configure and customize their signal connections however they like. Whether the need is to provide an I/O for a board design, or simply create a custom cable assembly configuration, Pasternack has the right connector for the job. Pasternack can also expertly build your custom cable assemblies for you and ship same-day.

### Electrical Specifications

| Description                          | Minimum | Typical | Maximum | Units |
|--------------------------------------|---------|---------|---------|-------|
| Frequency Range                      | DC      |         | 300     | MHz   |
| Operating Voltage (AC)               |         |         | 3,500   | Vrms  |
| Dielectric Withstanding Voltage (AC) |         |         | 5,000   | Vrms  |
| Inner Conductor DC Resistance        |         |         | 2       | mOhms |
| Outer Conductor DC Resistance        |         |         | 1.5     | mOhms |
| Insulation Resistance                | 50,000  |         |         | MOhms |

### Mechanical Specifications

#### Size

|            |                     |
|------------|---------------------|
| Length     | 1.01 in [25.65 mm]  |
| Width/Dia. | 0.57 in [14.48 mm]  |
| Height     | 1.48 in [37.59 mm]  |
| Weight     | 0.062 lbs [28.12 g] |

Click the following link (or enter part number in "SEARCH" on website) to obtain additional part information including price, inventory and certifications: [SHV plug crimp right angle for RG59 PE45847](#)



## SHV plug crimp right angle for RG59

### RF Connectors Technical Data Sheet

**PE45847**

#### Material Specifications

| Description    | Material | Plating                      |
|----------------|----------|------------------------------|
| Contact        | Brass    | Gold over Nickel over copper |
| Contact Spring |          | Tinned Copper                |
| Insulation     | Teflon   |                              |
| Body           | Brass    | Tinned Copper                |
| Coupling Nut   | Brass    | Tinned Copper                |
| Gasket         | Silicone |                              |
| Crimp Sleeve   | Brass    | Tinned Copper                |
| Washer         | Brass    | Tinned Copper<br>BNC3100-4/W |

#### Environmental Specifications

##### Temperature

Operating Range  
Thermal Shock

-65 to +165 deg C  
MIL-STD-202, Method 107, Condition B

**Compliance Certifications** (see [product page](#) for current document)

#### Plotted and Other Data

Notes:

SHV plug crimp right angle for RG59 from Pasternack Enterprises has same day shipment for domestic and International orders. Our RF, microwave and millimeter wave products maintain a 99.4% availability and are part of the broadest selection in the industry.

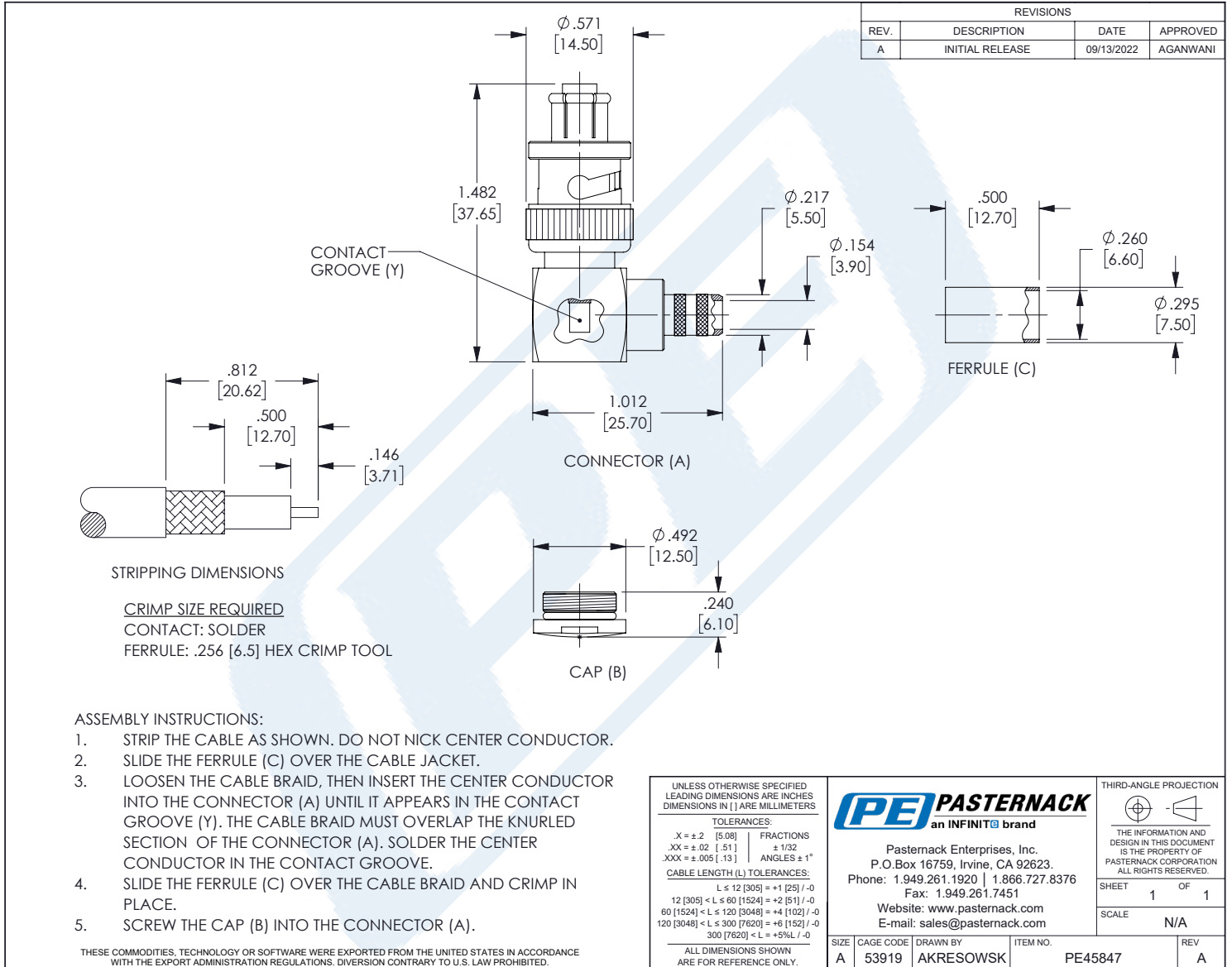
Click the following link (or enter part number in "SEARCH" on website) to obtain additional part information including price, inventory and certifications: [SHV plug crimp right angle for RG59 PE45847](#)

URL: <https://www.pasternack.com/shv-plug-rg59-connector-pe45847-p.aspx>

The information contained in this document is accurate to the best of our knowledge and representative of the part described herein. It may be necessary to make modifications to the part and/or the documentation of the part, in order to implement improvements. Pasternack reserves the right to make such changes as required. Unless otherwise stated, all specifications are nominal. Pasternack does not make any representation or warranty regarding the suitability of the part described herein for any particular purpose, and Pasternack does not assume any liability arising out of the use of any part or documentation.

# PE45847 CAD Drawing

## SHV plug crimp right angle for RG59



T-Rev.D

## 93 Ohm Flexible RG62 Coax Cable Single Shielded with Black PVC Jacket

### TECHNICAL DATA SHEET

RG62A/U

#### 93 Ohm Flexible RG62 Coax Cable Single Shielded with Black PVC Jacket

##### Configuration

|                                      |                   |
|--------------------------------------|-------------------|
| Inner Conductor Material and Plating | Copper Clad Steel |
| Dielectric Type                      | PE (AS)           |
| Shield Materials                     | Copper Braid      |
| Jacket Material and Color            | PVC, Black        |

##### Electrical Specifications

|                                  |              |
|----------------------------------|--------------|
| Impedance, Ohms                  | 93           |
| Velocity of Propagation, %       | 83           |
| Maximum Operating Frequency, MHz | 1000         |
| RF Shielding, dB                 | 45           |
| Capacitance, pF/ft [pF/m]        | 14.5 [47.57] |

##### Electrical Specifications by Frequency

###### Frequency 1

|                                 |            |
|---------------------------------|------------|
| Frequency, MHz                  | 10         |
| Attenuation, dB/100ft [dB/100m] | 0.9 [2.95] |

###### Frequency 2

|                                 |             |
|---------------------------------|-------------|
| Frequency, MHz                  | 200         |
| Attenuation, dB/100ft [dB/100m] | 3.8 [12.47] |

###### Frequency 3

|                                 |             |
|---------------------------------|-------------|
| Frequency, MHz                  | 1000        |
| Attenuation, dB/100ft [dB/100m] | 8.7 [28.54] |

##### Mechanical Specifications

###### Temperature

|                        |            |
|------------------------|------------|
| Operating Range, deg C | -40 to +80 |
|------------------------|------------|

###### Inner Conductor

|                   |                   |
|-------------------|-------------------|
| Number of Strands | 1                 |
| Material          | Copper Clad Steel |
| Diameter, in [mm] | 0.025 [0.64]      |

###### Dielectric:

|                   |              |
|-------------------|--------------|
| Type              | PE (AS)      |
| Diameter, in [mm] | 0.146 [3.71] |

Click the following link (or enter part number in "SEARCH" on website) to obtain additional part information including price, inventory and certifications: [93 Ohm Flexible RG62 Coax Cable Single Shielded with Black PVC Jacket RG62A/U](#)

The information contained in this document is accurate to the best of our knowledge and representative of the part described herein. It may be necessary to make modifications to the part and/or the documentation of the part, in order to implement improvements. Pasternack reserves the right to make such changes as required. Unless otherwise stated, all specifications are nominal.

93 Ohm Flexible RG62 Coax Cable Single  
Shielded with Black PVC Jacket

TECHNICAL DATA SHEET

RG62A/U

**Shield:**

|            |              |
|------------|--------------|
| Number of  | 1            |
| Material 1 | Copper Braid |

**Jacket:**

|                                       |              |
|---------------------------------------|--------------|
| Material                              | PVC          |
| Diameter, in [mm]                     | 0.242 [6.15] |
| Color                                 | Black        |
| One Time Minimum Bend Radius, in [mm] | 2.5 [63.5]   |
| Weight, lbs/ft [Kg/m]                 | 0.038 [0.06] |

**Compliance Certifications** (visit [www.Pasternack.com](http://www.Pasternack.com) for current document)

**Plotted and Other Data**

Notes: Values at 25 °C, sea level

93 Ohm Flexible RG62 Coax Cable Single Shielded with Black PVC Jacket from Pasternack Enterprises has same day shipment for domestic and International orders. Our RF, microwave and fiber optic products maintain a 99% availability and are part of the broadest selection in the industry.

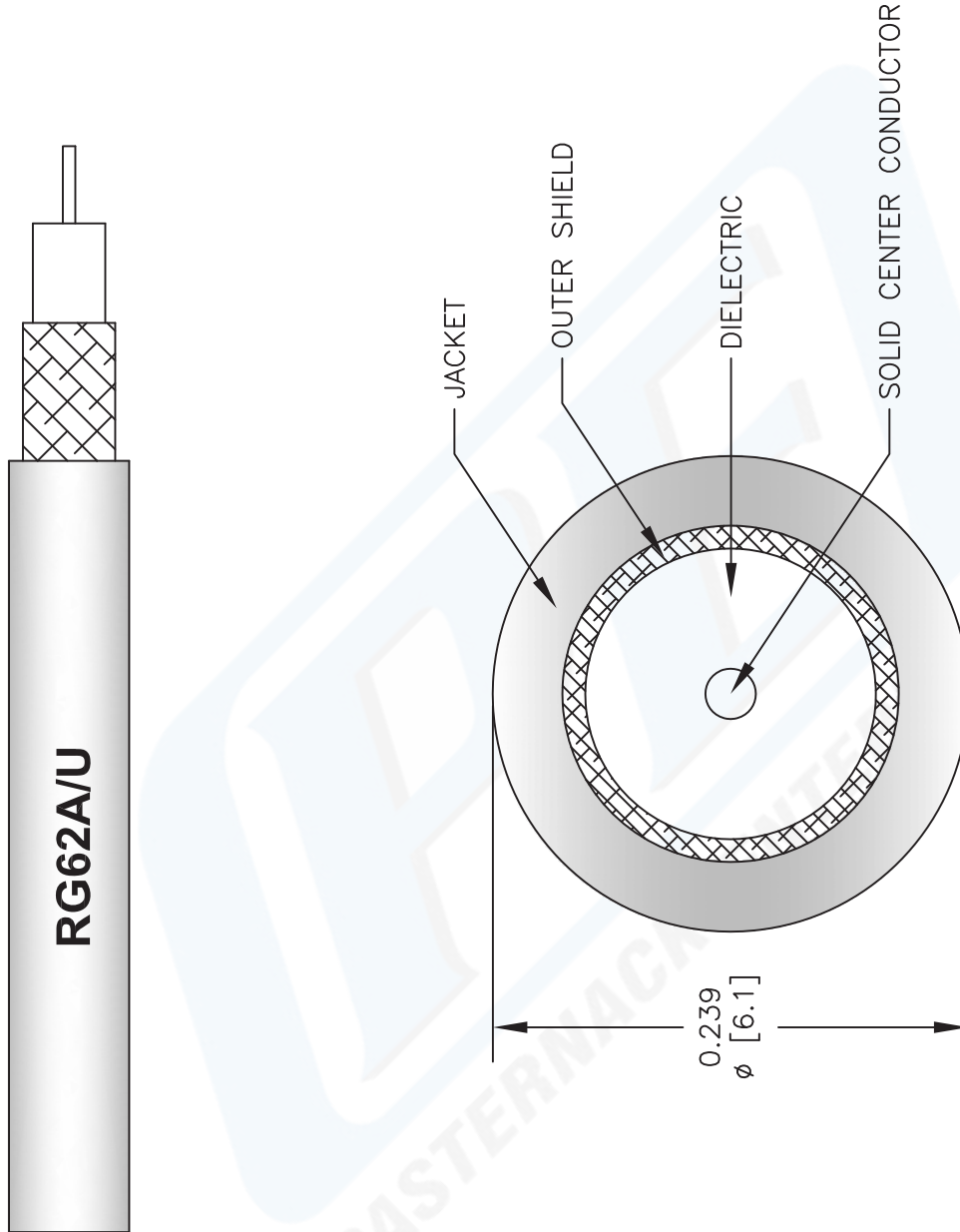
Click the following link (or enter part number in "SEARCH" on website) to obtain additional part information including price, inventory and certifications: [93 Ohm Flexible RG62 Coax Cable Single Shielded with Black PVC Jacket RG62A/U](#)

URL: <http://www.pasternack.com/flexible-0.242-rg62-93-ohm-coax-cable-pvc-jacket-rg62a-u-p.aspx>

The information contained in this document is accurate to the best of our knowledge and representative of the part described herein. It may be necessary to make modifications to the part and/or the documentation of the part, in order to implement improvements. Pasternack reserves the right to make such changes as required. Unless otherwise stated, all specifications are nominal.

# RG62A/U CAD Drawing

93 Ohm Flexible RG62 Coax Cable Single Shielded with Black PVC Jacket



NOTES:  
 1. UNLESS OTHERWISE SPECIFIED ALL DIMENSIONS ARE NOMINAL.  
 2. ALL SPECIFICATIONS ARE SUBJECT TO CHANGE WITHOUT NOTICE AT ANY TIME.  
 3. DIMENSIONS ARE IN INCHES [mm].

DWG TITLE  
**RG62A/U**

FSCM NO. 53919

2233

SIZE A

SCALE N/A

CAD FILE 121912-B

**PE PASTERNAK®**  
 Pasternack Enterprises, Inc.  
 P.O. Box 16759 | Irvine | CA | 92623  
**Phone:** (949) 261-1920 | **Fax:** (949) 261-7451  
**Website:** www.pasternack.com | **E-Mail:** sales@pasternack.com