



RP TNC Female Connector Crimp/Solder Attachment for PE-C240, RG8X, 0.240 inch, LMR-240, LMR-240-DB, LMR-240-UF, B7808A

## RF Connectors Technical Data Sheet

**PE44671**

### Configuration

- TNC Female Reverse Polarity Connector
- 50 Ohms
- Straight Body Geometry

- Connector Interface Types: PE-C240, RG8X, .240 inch, LMR-240, LMR-240-DB, LMR-240-UF, B7808A

### Features

- Max. Operating Frequency 11 GHz
- Gold Plated Brass Contact

- Reverse Polarity

### Applications

- General Purpose Test
- Custom Cable Assemblies

### Description

Pasternack's PE44671 RP TNC female connector with crimp/solder attachment for PE-C240, RG8X, .240 inch, LMR-240, LMR-240-DB, LMR-240-UF and B7808A is part of our full line of RF components available for same-day shipping. The female reverse polarity configuration uses a female connector body with a male inner contact pin. Our TNC female connector operates up to a maximum frequency of 11 GHz.

Our reverse polarity TNC female connector PE44671 datasheet specifications and drawing with dimensions are shown below in this PDF. Pasternack's broad catalog of RF, microwave and millimeter wave connectors allows designers to configure and customize their signal connections however they like. Whether the need is to provide an I/O for a board design, or simply create a custom cable assembly configuration, Pasternack has the right connector for the job. Pasternack can also expertly build your custom cable assemblies for you and ship same-day.

### Electrical Specifications

| Description     | Minimum | Typical | Maximum | Units |
|-----------------|---------|---------|---------|-------|
| Frequency Range | DC      |         | 11      | GHz   |

### Mechanical Specifications

#### Size

|            |                     |
|------------|---------------------|
| Length     | 1.325 in [33.66 mm] |
| Width/Dia. | 0.453 in [11.51 mm] |
| Weight     | 0.028 lbs [12.7 g]  |

Click the following link (or enter part number in "SEARCH" on website) to obtain additional part information including price, inventory and certifications: [RP TNC Female Connector Crimp/Solder Attachment for PE-C240, RG8X, 0.240 inch, LMR-240, LMR-240-DB, LMR-240-UF, B7808A PE44671](#)



RP TNC Female Connector Crimp/Solder Attachment for PE-C240, RG8X, 0.240 inch, LMR-240, LMR-240-DB, LMR-240-UF, B7808A

**RF Connectors**  
**Technical Data Sheet**

**PE44671**

**Material Specifications**

| Description | Material | Plating |
|-------------|----------|---------|
| Contact     | Brass    | Gold    |
| Insulation  | PTFE     |         |
| Body        | Brass    | Nickel  |

**Environmental Specifications**

**Temperature**

Operating Range -65 to +165 deg C

**Compliance Certifications** (see [product page](#) for current document)

**Plotted and Other Data**

Notes:

RP TNC Female Connector Crimp/Solder Attachment for PE-C240, RG8X, 0.240 inch, LMR-240, LMR-240-DB, LMR-240-UF, B7808A from Pasternack Enterprises has same day shipment for domestic and International orders. Our RF, microwave and millimeter wave products maintain a 99.4% availability and are part of the broadest selection in the industry.

Click the following link (or enter part number in "SEARCH" on website) to obtain additional part information including price, inventory and certifications: [RP TNC Female Connector Crimp/Solder Attachment for PE-C240, RG8X, 0.240 inch, LMR-240, LMR-240-DB, LMR-240-UF, B7808A PE44671](#)

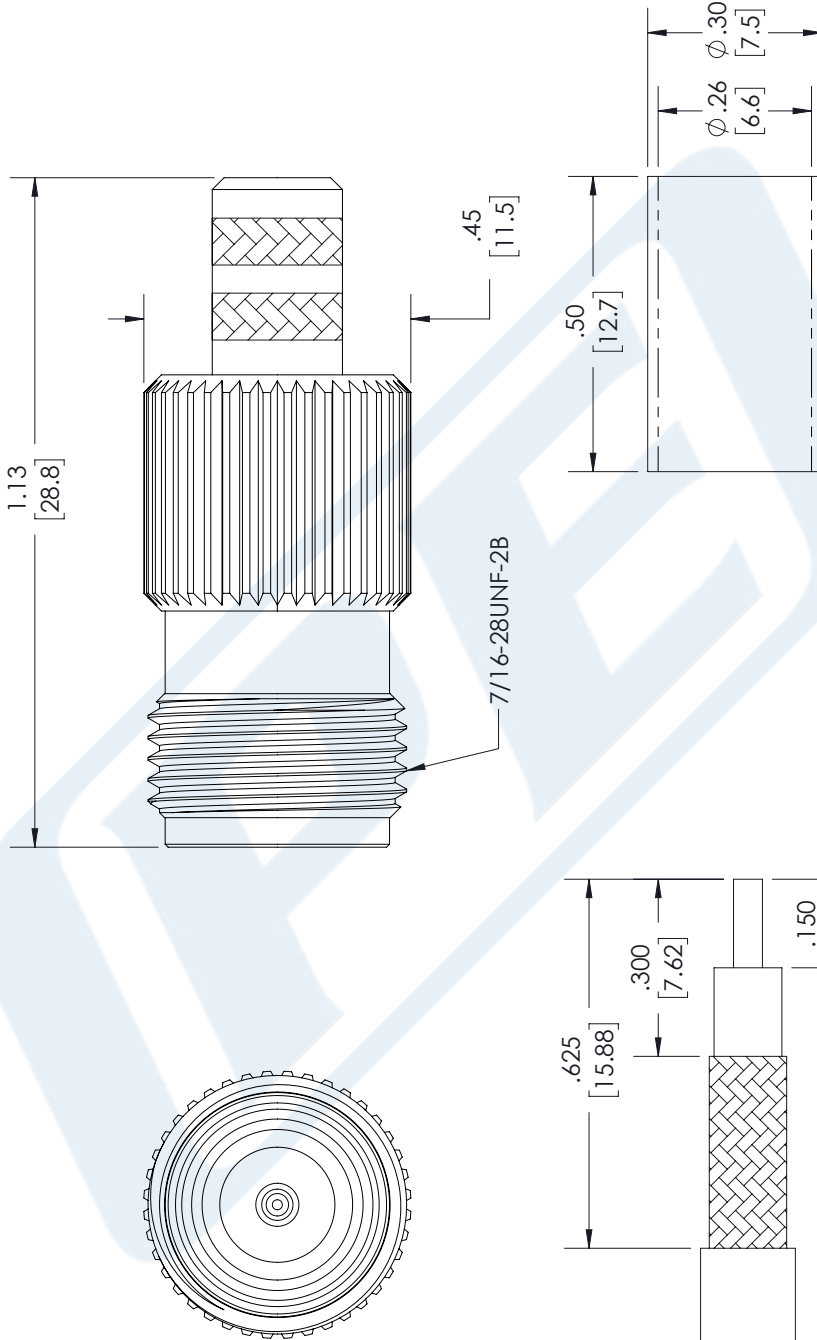
URL: <https://www.pasternack.com/tnc-female-reverse-polarity-rg8x-pe-c240-0.240-connector-pe44671-p.aspx>

The information contained in this document is accurate to the best of our knowledge and representative of the part described herein. It may be necessary to make modifications to the part and/or the documentation of the part, in order to implement improvements. Pasternack reserves the right to make such changes as required. Unless otherwise stated, all specifications are nominal. Pasternack does not make any representation or warranty regarding the suitability of the part described herein for any particular purpose, and Pasternack does not assume any liability arising out of the use of any part or documentation.

# PE44671 CAD Drawing

RP TNC Female Connector Crimp/Solder Attachment for PE-C240, RG8X, 0.240 inch, LMR-240, LMR-240-DB, LMR-240-UF, B7808A

| REVISIONS |                      |            |
|-----------|----------------------|------------|
| REV.      | DESCRIPTION          | DATE       |
| B         | PCR PE44671 20220512 | 06/01/2022 |
|           |                      | AGANWANI   |



RECOMMENDED STRIPPING DIMENSIONS

CONTACT: SOLDER  
FERRULE CRIMP SIZE: .255 INCH

UNLESS OTHERWISE SPECIFIED LEADING DIMENSIONS ARE INCHES DIMENSIONS IN [ ] ARE MILLIMETERS

TOLERANCES:  
 .X = ±.2 [5.08] FRACTIONS  
 .XX = ±.02 [.51] ±.1/32  
 .XXX = ±.005 [.13] ANGLES ± 1°  
 CABLE LENGTH (L) TOLERANCES:  
 L ≤ 12 [305] = +1 [25] / -0  
 12 [305] < L ≤ 60 [1524] = +2 [51] / -0  
 60 [1524] < L ≤ 120 [3048] = +4 [102] / -0  
 120 [3048] < L ≤ 300 [7620] = +6 [152] / -0  
 300 [7620] < L = +5%L / -0  
 ALL DIMENSIONS SHOWN ARE FOR REFERENCE ONLY.



Pasternack Enterprises, Inc.  
P. O. Box 16759, Irvine, CA 92623.  
Phone: 1.949.261.1920 | 1.866.727.8376  
Fax: 1.949.261.7451  
Website: www.pasternack.com  
E-mail: sales@pasternack.com

THIRD-ANGLE PROJECTION

THE INFORMATION AND DESIGN IN THIS DOCUMENT IS THE PROPERTY OF PASTERNAK CORPORATION ALL RIGHTS RESERVED.

SHEET 1 OF 1

SCALE N/A

|           |           |
|-----------|-----------|
| REV       | B         |
| SCALE     | N/A       |
| SHEET     | 1 OF 1    |
| ITEM NO.  | PE44671   |
| DRAWN BY  | BPUCHASKI |
| SIZE      | A         |
| CAGE CODE | 53919     |

THESE COMMODITIES, TECHNOLOGY OR SOFTWARE WERE EXPORTED FROM THE UNITED STATES IN ACCORDANCE WITH THE EXPORT ADMINISTRATION REGULATIONS. DIVERSION CONTRARY TO U.S. LAW PROHIBITED.



# SMA Male Right Angle Connector Crimp/Non-Solder Contact Attachment for LMR-240

## RF Connectors Technical Data Sheet



EZ-240-SM-RA-X

### Times Microwave Systems Connector Specification

#### Configuration

- SMA Male Connector
- MIL-STD-348
- 50 Ohms
- Right Angle Body Geometry
- Connector Interface Types: LMR-240
- 5/16 Inch Hex

#### Features

- Max. Operating Frequency 6 GHz
- Good VSWR of 1.3:1
- Gold Plated Brass/Phosphor Bronze Contact
- 50 µinch contact plating

#### Applications

- General Purpose Test
- Custom Cable Assemblies

#### Description

Times Microwave's EZ-240-SM-RA-X SMA male right angle connector offered by Pasternack with crimp/non-solder contact attachment for Times' LMR-240 is part of our full line of RF components available for same-day shipping. Times Microwave's SMA male connector operates up to a maximum frequency of 6 GHz and offers good VSWR of 1.3:1. Its right angle body geometry allows for easier connections in tight spaces.

Times Microwave's SMA male right angle connector EZ-240-SM-RA-X datasheet specifications and drawing with dimensions are shown below in this PDF. Pasternack's broad catalog of RF, microwave and millimeter wave connectors allows designers to configure and customize their signal connections however they like. Whether the need is to provide an I/O for a board design, or simply create a custom cable assembly configuration, Pasternack has the right connector for the job. Pasternack can also expertly build your custom cable assemblies for you and ship same-day.

#### Electrical Specifications

| Description                          | Minimum | Typical | Maximum | Units |
|--------------------------------------|---------|---------|---------|-------|
| Frequency Range                      | DC      |         | 6       | GHz   |
| VSWR                                 |         |         | 1.3:1   |       |
| Insertion Loss                       |         |         | 0.25    | dB    |
| Dielectric Withstanding Voltage (AC) |         |         | 1,000   | Vrms  |
| Insulation Resistance                | 5,000   |         |         | MOhms |

#### Mechanical Specifications

##### Size

|            |                     |
|------------|---------------------|
| Length     | 0.725 in [18.42 mm] |
| Width/Dia. | 0.312 in [7.92 mm]  |
| Height     | 0.88 in [22.35 mm]  |
| Weight     | 0.021 lbs [9.53 g]  |

Click the following link (or enter part number in "SEARCH" on website) to obtain additional part information including price, inventory and certifications: [SMA Male Right Angle Connector Crimp/Non-Solder Contact Attachment for LMR-240 EZ-240-SM-RA-X](#)



SMA Male Right Angle Connector Crimp/Non-Solder Contact Attachment for LMR-240

RF Connectors  
Technical Data Sheet



EZ-240-SM-RA-X

Mating Cycles 500 Cycles  
Mating Torque 7 to 10 in-lbs [0.79 to 1.13 Nm]

**Material Specifications**

| Description  | Material              | Plating               |
|--------------|-----------------------|-----------------------|
| Contact      | Brass/Phosphor Bronze | Gold<br>50 μinch      |
| Insulation   | Teflon                |                       |
| Body         | Brass                 | Tri-Metal<br>80 μinch |
| Coupling Nut | Brass                 | Tri-Metal<br>80 μinch |

**Environmental Specifications**

**Temperature**

Operating Range -40 to +125 deg C  
Shock MIL-STD 202G, Meth.213, Cond I  
Vibration MIL-STD 202G, Meth.204, Cond D  
Thermal Shock MIL-STD 202G, Meth.107, Cond B

**Compliance Certifications** (see [product page](#) for current document)

**Plotted and Other Data**

Notes:

Click the following link (or enter part number in "SEARCH" on website) to obtain additional part information including price, inventory and certifications: [SMA Male Right Angle Connector Crimp/Non-Solder Contact Attachment for LMR-240 EZ-240-SM-RA-X](#)



## SMA Male Right Angle Connector Crimp/Non-Solder Contact Attachment for LMR-240

### RF Connectors Technical Data Sheet



EZ-240-SM-RA-X

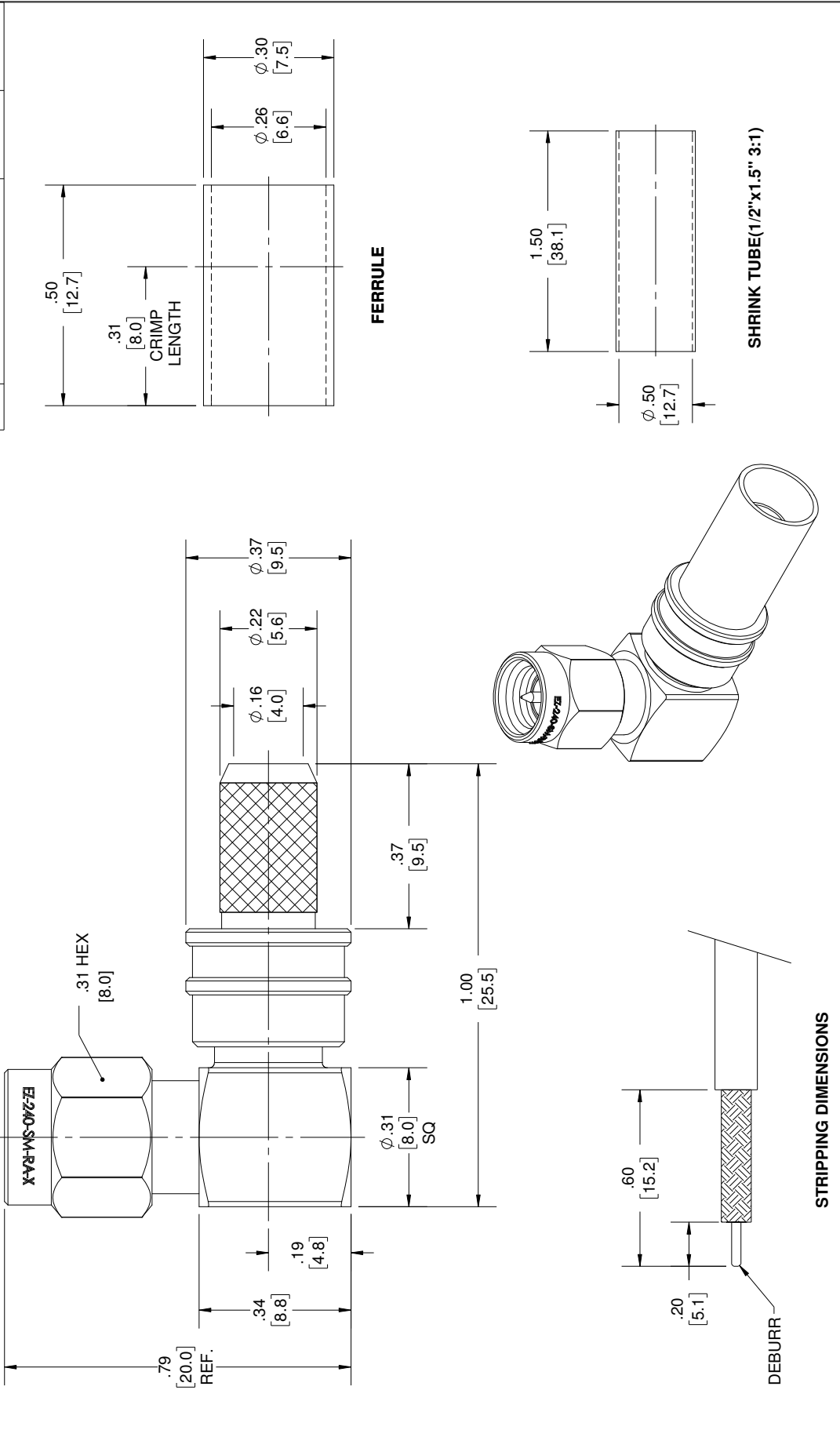
SMA Male Right Angle Connector Crimp/Non-Solder Contact Attachment for LMR-240 from Pasternack Enterprises has same day shipment for domestic and International orders. Our RF, microwave and millimeter wave products maintain a 99.4% availability and are part of the broadest selection in the industry.

Click the following link (or enter part number in "SEARCH" on website) to obtain additional part information including price, inventory and certifications: [SMA Male Right Angle Connector Crimp/Non-Solder Contact Attachment for LMR-240 EZ-240-SM-RA-X](https://www.pasternack.com/sma-male-lmr-240-connector-ez-240-sm-ra-x-p.aspx)

URL: <https://www.pasternack.com/sma-male-lmr-240-connector-ez-240-sm-ra-x-p.aspx>

The information contained in this document is accurate to the best of our knowledge and representative of the part described herein. It may be necessary to make modifications to the part and/or the documentation of the part, in order to implement improvements. Pasternack reserves the right to make such changes as required. Unless otherwise stated, all specifications are nominal. Pasternack does not make any representation or warranty regarding the suitability of the part described herein for any particular purpose, and Pasternack does not assume any liability arising out of the use of any part or documentation.

| REVISIONS |                             |            |          |
|-----------|-----------------------------|------------|----------|
| REV.      | DESCRIPTION                 | DATE       | APPROVED |
| B         | PCR EZ-240-SM-RA-X 20200511 | 06/15/2020 | SRAUTUS  |



UNLESS OTHERWISE SPECIFIED, ALL DIMENSIONS ARE IN INCHES. DIMENSIONS IN [ ] ARE MILLIMETERS.

**TOLERANCES:**

X = +.2 [5.08] FRACTIONS  
 XX = ±.02 [ .51 ] ±1/32  
 XXX = ±.005 [ .13 ] ANGLES ± 1°

**CABLE LENGTH (L) TOLERANCES:**

L ≤ 12 [305] = +1 [25] / -0  
 12 [305] < L ≤ 60 [1524] = +2 [51] / -0  
 60 [1524] < L ≤ 120 [3048] = +4 [102] / -0  
 120 [3048] < L ≤ 300 [7620] = +6 [152] / -0  
 300 [7620] < L = +5%L / -0

ALL DIMENSIONS SHOWN ARE FOR REFERENCE ONLY.

**THIRD-ANGLE PROJECTION**

THE INFORMATION AND DESIGN IN THIS DOCUMENT IS THE PROPERTY OF PASTERNAK CORPORATION. ALL RIGHTS RESERVED.

SHEET 1 OF 1

SCALE N/A

**PE PASTERNAK** an INFINITO brand

Pasternack Enterprises, Inc.  
 P.O. Box 16759, Irvine, CA 92623.  
 Phone: 1.949.261.1920 | 1.866.727.8376  
 Fax: 1.949.261.7451  
 Website: www.pasternack.com  
 E-mail: sales@pasternack.com

SIZE A CAGE CODE 53919 DRAWN BY K.DANG PART NUMBER EZ-240-SM-RA-X REV B

- NOTES:**
- CABLE ATTACHMENT:
    - OUTER: CRIMP.
    - INNER: NON-SOLDER.
  - CRIMP SIZE REQUIRED:
    - FERRULE: .255 [6.48] HEX. CRIMP TOOL.
- THESE COMMODITIES, TECHNOLOGY OR SOFTWARE WERE EXPORTED FROM THE UNITED STATES IN ACCORDANCE WITH THE EXPORT ADMINISTRATION REGULATIONS. DIVERSION CONTRARY TO U.S. LAW PROHIBITED.

## LMR®-240-UF UltraFlex Communications Coax

### Ideal for...

- Jumper Assemblies in Wireless Communications Systems
- Short Antenna Feeder runs (e.g. WLL, GPS, LMR, Mobile Antennas)
- Any application that requires periodic/repeated flexing



• **LMR® - UltraFlex** has a stranded center conductor and rubber outer jacket designed for multiple bending/flexing cycles. It is used for both indoor and outdoor applications.

• **Flexibility** and bendability are hallmarks of the LMR-240-UF cable design. The flexible outer conductor enables the tightest bend radius available for any cable of similar size and performance.

• **Low Loss** is another hallmark feature of LMR-240-UF. Size for size LMR has the lowest loss of any flexible cable and comparable loss to semirigid hard-line cables.

• **RF Shielding** is 50 dB greater than typical single shielded coax (40 dB). The multi-ply bonded foil outer conductor is rated conservatively at > 90 dB (i.e. >180 dB between two adjacent cables).

• **Weatherability:** LMR-240-UF cables are designed for outdoor exposure and have a life expectancy in excess of 10 years.

• **Connectors:** A wide variety of connectors are available for LMR-240-UF cable, including all common interface types, reverse polarity, and solder-on center pins. Most LMR connectors employ crimp outer attachment using standard hex crimp sizes.

• **Cable Assemblies:** All LMR-240-UF cable types are available as pre-terminated cable assemblies. Refer to the section on FlexTech for further details.

| Construction Specifications |                               |       |        |
|-----------------------------|-------------------------------|-------|--------|
| Description                 | Material                      | In.   | (mm)   |
| Inner Conductor             | Stranded BC                   | 0.056 | (1.42) |
| Dielectric                  | Foam Polyethylene             | 0.150 | (3.81) |
| Outer Conductor             | Aluminum Tape                 | 0.155 | (3.94) |
| Overall Braid               | Tinned Copper                 | 0.178 | (4.52) |
| Jacket                      | Black Thermoplastic Elastomer | 0.240 | (6.10) |

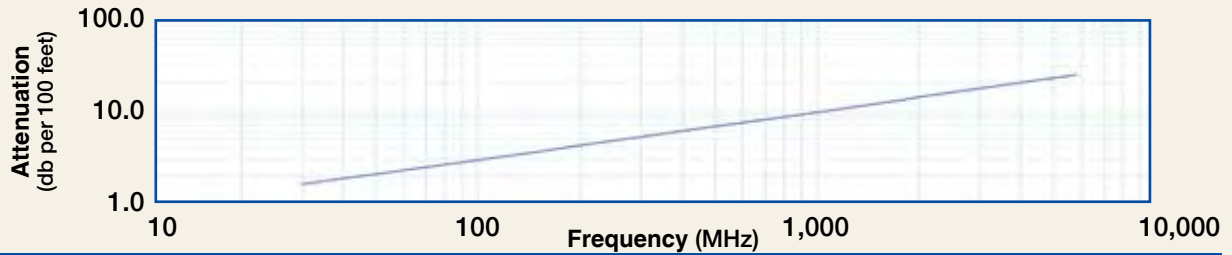
| Mechanical Specifications |                |       |          |
|---------------------------|----------------|-------|----------|
| Performance Property      | Units          | US    | (metric) |
| Bend Radius: installation | in. (mm)       | 0.75  | (19.1)   |
| Bend Radius: repeated     | in. (mm)       | 2.5   | (63.5)   |
| Bending Moment            | ft-lb (N-m)    | 0.125 | (0.17)   |
| Weight                    | lb/ft (kg/m)   | 0.034 | (0.05)   |
| Tensile Strength          | lb (kg)        | 80    | (36.3)   |
| Flat Plate Crush          | lb/in. (kg/mm) | 13    | (0.23)   |

| Environmental Specifications   |          |         |
|--------------------------------|----------|---------|
| Performance Property           | °F       | °C      |
| Installation Temperature Range | -40/+185 | -40/+85 |
| Storage Temperature Range      | -94/+185 | -70/+85 |
| Operating Temperature Range    | -40/+185 | -40/+85 |

| Electrical Specifications |                   |       |          |
|---------------------------|-------------------|-------|----------|
| Performance Property      | Units             | US    | (metric) |
| Velocity of Propagation   | %                 | 84    |          |
| Dielectric Constant       | NA                | 1.42  |          |
| Time Delay                | nS/ft (nS/m)      | 1.21  | (3.97)   |
| Impedance                 | ohms              | 50    |          |
| Capacitance               | pF/ft (pF/m)      | 24.2  | (79.4)   |
| Inductance                | uH/ft (uH/m)      | 0.060 | (0.20)   |
| Shielding Effectiveness   | dB                | >90   |          |
| DC Resistance             |                   |       |          |
| Inner Conductor           | ohms/1000ft (/km) | 4.28  | (14.1)   |
| Outer Conductor           | ohms/1000ft (/km) | 3.89  | (12.8)   |
| Voltage Withstand         | Volts DC          | 1500  |          |
| Jacket Spark              | Volts RMS         | 5000  |          |
| Peak Power                | kW                | 5.6   |          |

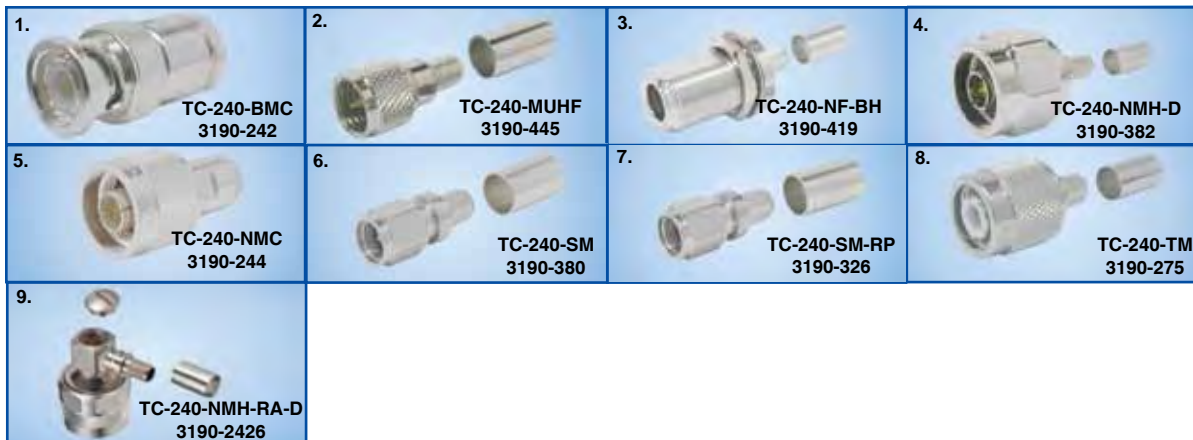
| Part Description |                |        |       |            |
|------------------|----------------|--------|-------|------------|
| Part Number      | Application    | Jacket | Color | Stock Code |
| LMR-240-UF       | Indoor/Outdoor | TPE    | Black | 54041      |

Attenuation vs. Frequency (typical)



| Frequency (MHz)       | 30   | 50   | 150  | 220  | 450  | 900  | 1500 | 1800 | 2000 | 2500 | 5800 |
|-----------------------|------|------|------|------|------|------|------|------|------|------|------|
| Attenuation dB/100 ft | 1.6  | 2.1  | 3.6  | 4.4  | 6.3  | 9.1  | 11.8 | 13.0 | 13.8 | 15.5 | 24.4 |
| Attenuation dB/100 m  | 5.3  | 6.8  | 11.9 | 14.4 | 20.8 | 29.8 | 38.9 | 42.8 | 45.2 | 50.9 | 80.1 |
| Avg. Power kW         | 1.24 | 0.96 | 0.55 | 0.45 | 0.31 | 0.22 | 0.17 | 0.15 | 0.14 | 0.13 | 0.08 |

Calculate Attenuation = (0.290501) • √FMHz + (0.000396) • FMHz (interactive calculator available at [http://www.timesmicrowave.com/cable\\_calculators](http://www.timesmicrowave.com/cable_calculators))  
 Attenuation: VSWR=1.0; Ambient = +25°C (77°F) Power: VSWR=1.0; Ambient = +40°C; Inner Conductor = 100°C (212°F);  
 Sea Level; dry air; atmospheric pressure; no solar loading



**Connectors**

| Interface   | Description      | Part Number     | Stock Code | VSWR** Freq. (GHz) | Coupling Nut | Inner Contact Attach | Outer Contact Attach | Finish* /Pin | Length in (mm) | Width in (mm) | Weight lb (g) |
|-------------|------------------|-----------------|------------|--------------------|--------------|----------------------|----------------------|--------------|----------------|---------------|---------------|
| 1. BNC Male | Straight Plug    | TC-240-BMC      | 3190-242   | <1.25:1 (2.5)      | Knurl        | Solder               | Clamp                | S/G          | 1.7 (43)       | 0.56(14.2)    | 0.040 (18.1)  |
| 2. Mini-UHF | Straight Plug    | TC-240-MUHF     | 3190-445   | <1.25:1 (2.5)      | Knurl        | Solder               | Crimp                | N/G          | 1.1 (28)       | 0.45(11.4)    | 0.014 (6.4)   |
| 3. N Female | Bulkhead Jack    | TC-240-NF-BH    | 3190-419   | <1.25:1 (2.5)      | NA           | Solder               | Crimp                | A/G          | 1.7 (44)       | 0.88(22.2)    | 0.115 (52.2)  |
| 4. N Male   | Straight Plug    | TC-240-NMH-D    | 3190-382   | <1.25:1 (2.5)      | Hex          | Solder               | Crimp                | N/S          | 1.5 (38)       | 0.75(19.1)    | 0.086 (39.0)  |
| 5. N Male   | Straight Plug    | TC-240-NMC      | 3190-244   | <1.25:1 (2.5)      | Knurl        | Solder               | Clamp                | S/G          | 1.5 (38)       | 0.75(19.1)    | 0.082 (37.2)  |
| 6. SMA Male | Straight Plug    | TC-240-SM       | 3190-380   | <1.25:1 (10)       | Hex          | Solder               | Crimp                | SS/G         | 1.0 (25)       | 0.32(8.1)     | 0.016 (7.3)   |
| 7. SMA Male | Reverse Polarity | TC-240-SM-RP    | 3190-326   | <1.25:1 (2.5)      | Hex          | Solder               | Crimp                | SS/G         | 1.0 (25)       | 0.32(8.1)     | 0.016 (7.3)   |
| 8. TNC Male | Straight Plug    | TC-240-TM       | 3190-275   | <1.25:1 (2.5)      | Knurl        | Solder               | Crimp                | N/S          | 1.7 (43)       | 0.59(15.0)    | 0.043 (19.5)  |
| 9. N Male   | Right Angle      | TC-240-NMH-RA-D | 3190-2426  | <1.35:1 (6)        | Hex/Knurl    | Solder               | Crimp                | A/G          | 1.2 (32.4)     | 1.22 (31.0)   | 0.091 (41.7)  |

\* Finish metals: N=Nickel, S=Silver, G=Gold, SS=Stainless Steel, A=Alballoy \*\*VSWR spec based on 3 foot cable with a connector pair

**Hardware Accessories**

| Type       | Part Number | Stock Code | Description                |
|------------|-------------|------------|----------------------------|
| Ground Kit | GK-S240TT   | GK-S240TT  | Standard Ground Kit (each) |

**Install Tools**

| Type              | Part Number        | Stock Code | Description                                         |
|-------------------|--------------------|------------|-----------------------------------------------------|
| Crimp Tool        | CT-240/200/195/100 | 3190-667   | Crimp tool for LMR-100, 195, 200 and 240 connectors |
| Cutting Tool      | CCT-01             | 3190-1544  | Cable end flush cut tool                            |
| Replacement Blade | RB-01              | 3190-1609  | Replacement blade for cutting tool                  |

