

N Male Low PIM Connector Solder Attachment for 1/2" Helical, 1/2" Superflexible, SPP- 500-LLPL, SPO-500, SPF-500



PE45994

Configuration

- N Male Connector
- 50 Ohms
- Straight Body Geometry
- Connector Interface Types: 1/2" Helical, 1/2" Superflexible, SPP-500-LLPL, SPO-500, SPF-500
- Low PIM Design

Features

- Max. Operating Frequency 6 GHz
- Silver Plated Brass Contact
- Max of VSWR 1.1:1 at 1GHz, Max of VSWR 1.15:1 at 3.7GHz, Max of VSWR 1.25:1 at 6GHz
- PIM is less than -160dBc at 1.8GHz typical

Applications

- General Purpose Test
- Wireless Communications
- Custom Cable Assemblies
- Low PIM Applications

Description

Pasternack's PE45994 type N , N, Low PIM, Connector is part of our full line of RF components available for same-day shipping. Our type N male connector operates up to a maximum frequency of 6 GHz.

Our type N male connector PE45994 datasheet specifications and drawing with dimensions are shown below in this PDF. Pasternack's broad catalog of RF, microwave and millimeter wave connectors allows designers to configure and customize their signal connections however they like. Whether the need is to provide an I/O for a board design, or simply create a custom cable assembly configuration, Pasternack has the right connector for the job. Pasternack can also expertly build your custom cable assemblies for you and ship same-day.

Electrical Specifications

Description	Minimum	Typical	Maximum	Units
Frequency Range	DC		6	GHz
Dielectric Withstanding Voltage (AC)			1,000	Vrms
Impedance		50		Ohms

Mechanical Specifications

Size

Length	1.22 in [30.99 mm]
Width	0.79 in [20.07 mm]
Height	0.85 in [21.59 mm]
Weight	0.072 lbs [32.66 g]

Material Specifications

Description	Material	Plating
Contact	Brass	Silver
Insulation	PTFE	
Body	Brass	Tri-Metal
Coupling Nut	Brass	Tri-Metal

N Male Low PIM Connector Solder Attachment for 1/2" Helical, 1/2" Superflexible, SPP- 500-LLPL, SPO-500, SPF-500



PE45994

Environmental Specifications

Temperature

Operating Range

-40 to +155 deg C

Environmental Specification Notes:

IEC 61169-16

Compliance Certifications (see [product page](#) for current document)

Plotted and Other Data

Notes:

N Male Low PIM Connector Solder Attachment for 1/2" Helical, 1/2" Superflexible, SPP-500-LLPL, SPO-500, SPF-500 from Pasternack Enterprises has same day shipment for domestic and International orders. Our RF, microwave and millimeter wave products maintain a 99.4% availability and are part of the broadest selection in the industry.

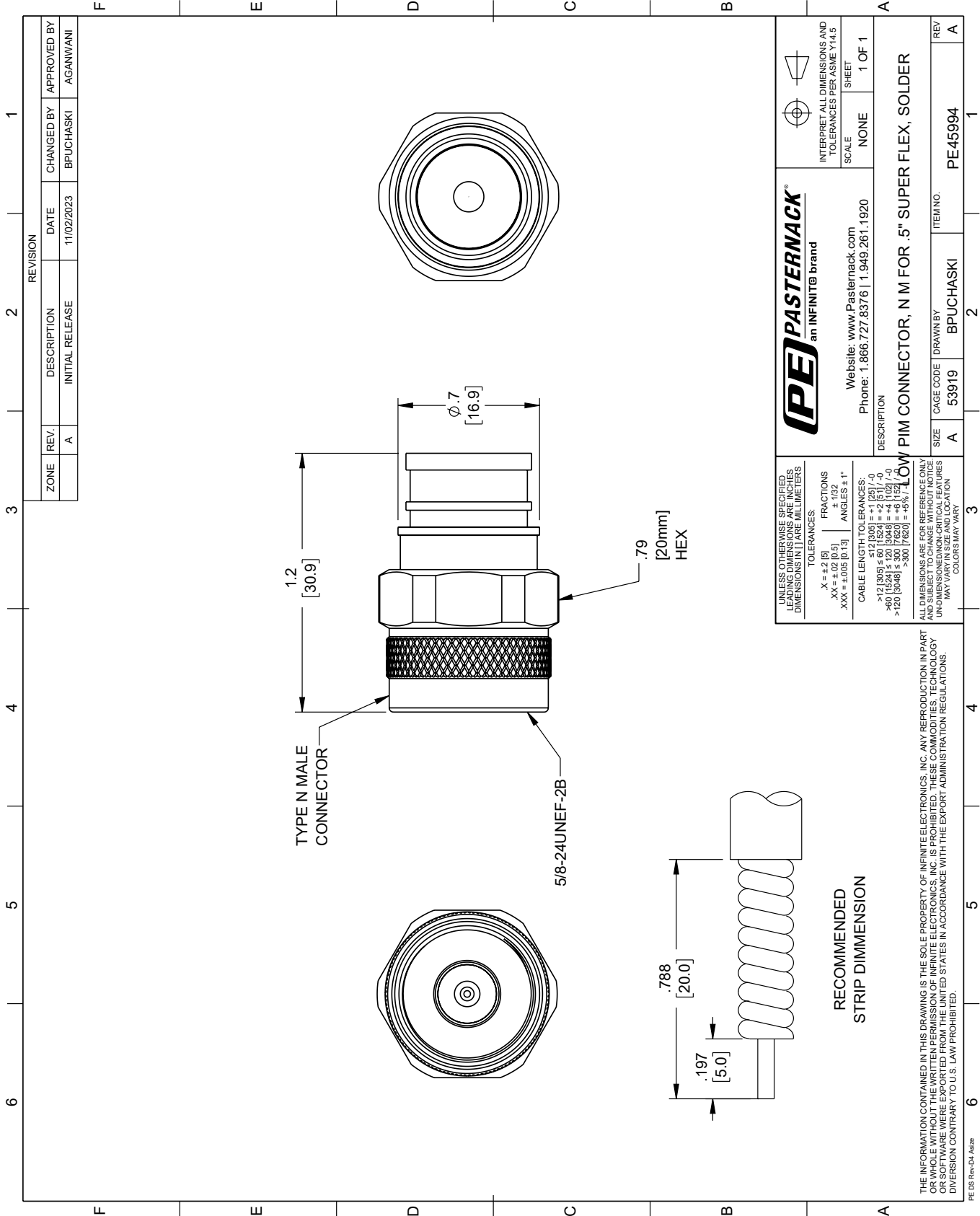
Click the following link (or enter part number in "SEARCH" on website) to obtain additional part information including price, inventory and certifications: [N Male Low PIM Connector Solder Attachment for 1/2" Helical, 1/2" Superflexible, SPP-500-LLPL, SPO-500, SPF-500 PE45994](#)

URL: <https://www.pasternack.com/n-male-1-2-inch-helical-1-2-inch-superflexible-connector-pe45994-p.aspx>

The information contained within this document is accurate to the best of our knowledge and representative of the part described herein. It may be necessary to make modifications to the part and/or the documentation of the part in order to implement improvements. Pasternack Enterprises reserves the right to make such changes as required. Unless otherwise stated, all specifications are nominal. Pasternack Enterprises does not make any representation or warranty regarding the suitability of the part described herein for any particular purpose, and Pasternack Enterprises does not assume liability arising out of the use of any part or document.

PE45994 CAD Drawing

N Male Low PIM Connector Solder Attachment for 1/2" Helical, 1/2" Superflexible, SPP-500-LLPL, SPO-500, SPF-500



N Male Low PIM Connector Solder Attachment for 1/2" Helical, 1/2" Superflexible, SPP- 500-LLPL, SPO-500, SPF-500



PE45994

Configuration

- N Male Connector
- 50 Ohms
- Straight Body Geometry
- Connector Interface Types: 1/2" Helical, 1/2" Superflexible, SPP-500-LLPL, SPO-500, SPF-500
- Low PIM Design

Features

- Max. Operating Frequency 6 GHz
- Silver Plated Brass Contact
- Max of VSWR 1.1:1 at 1GHz, Max of VSWR 1.15:1 at 3.7GHz, Max of VSWR 1.25:1 at 6GHz
- PIM is less than -160dBc at 1.8GHz typical

Applications

- General Purpose Test
- Wireless Communications
- Custom Cable Assemblies
- Low PIM Applications

Description

Pasternack's PE45994 type N , N, Low PIM, Connector is part of our full line of RF components available for same-day shipping. Our type N male connector operates up to a maximum frequency of 6 GHz.

Our type N male connector PE45994 datasheet specifications and drawing with dimensions are shown below in this PDF. Pasternack's broad catalog of RF, microwave and millimeter wave connectors allows designers to configure and customize their signal connections however they like. Whether the need is to provide an I/O for a board design, or simply create a custom cable assembly configuration, Pasternack has the right connector for the job. Pasternack can also expertly build your custom cable assemblies for you and ship same-day.

Electrical Specifications

Description	Minimum	Typical	Maximum	Units
Frequency Range	DC		6	GHz
Dielectric Withstanding Voltage (AC)			1,000	Vrms
Impedance		50		Ohms

Mechanical Specifications

Size

Length	1.22 in [30.99 mm]
Width	0.79 in [20.07 mm]
Height	0.85 in [21.59 mm]
Weight	0.072 lbs [32.66 g]

Material Specifications

Description	Material	Plating
Contact	Brass	Silver
Insulation	PTFE	
Body	Brass	Tri-Metal
Coupling Nut	Brass	Tri-Metal

N Male Low PIM Connector Solder Attachment for 1/2" Helical, 1/2" Superflexible, SPP- 500-LLPL, SPO-500, SPF-500



PE45994

Environmental Specifications

Temperature

Operating Range -40 to +155 deg C

Environmental Specification Notes:
IEC 61169-16

Compliance Certifications (see [product page](#) for current document)

Plotted and Other Data

Notes:

N Male Low PIM Connector Solder Attachment for 1/2" Helical, 1/2" Superflexible, SPP-500-LLPL, SPO-500, SPF-500 from Pasternack Enterprises has same day shipment for domestic and International orders. Our RF, microwave and millimeter wave products maintain a 99.4% availability and are part of the broadest selection in the industry.

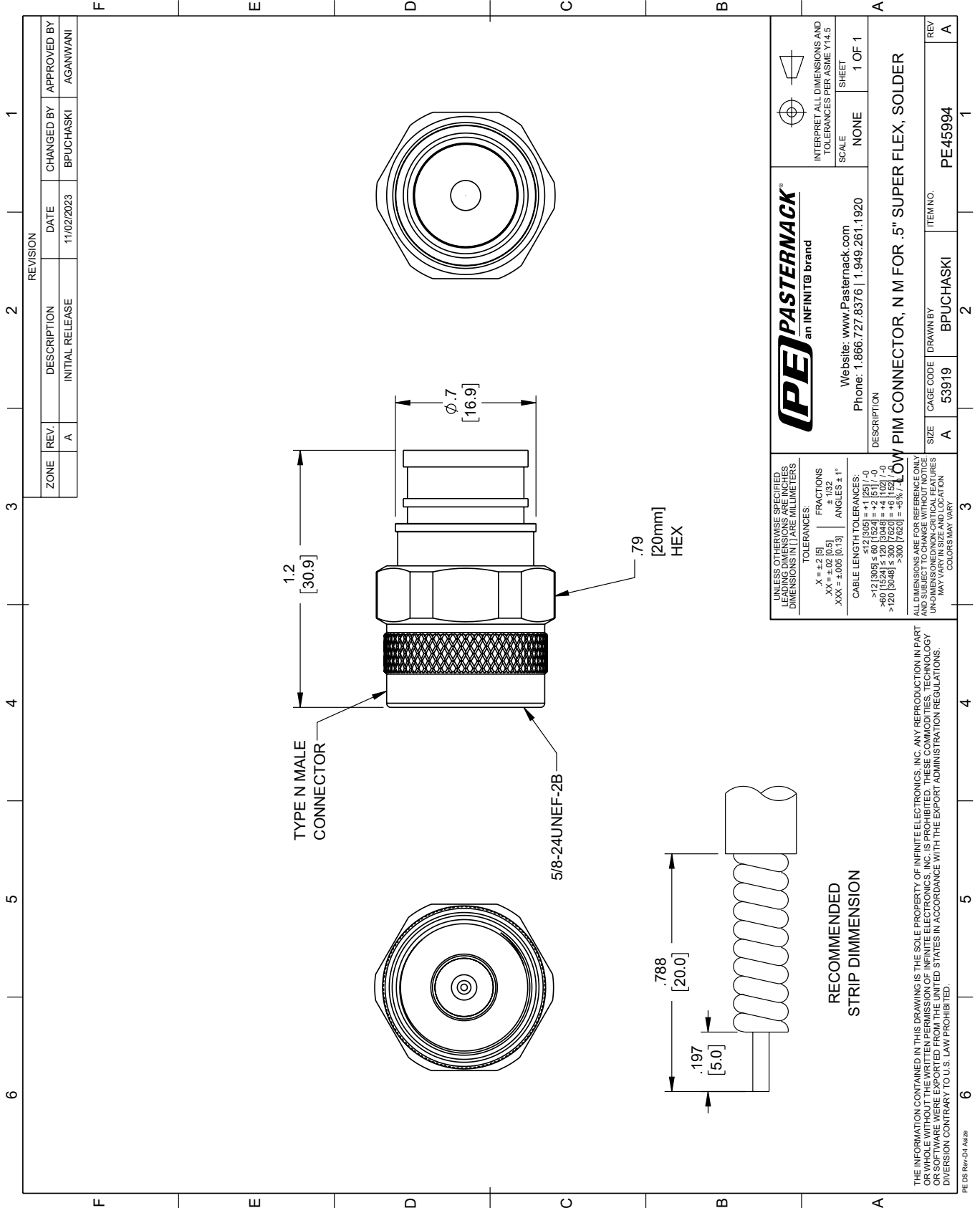
Click the following link (or enter part number in "SEARCH" on website) to obtain additional part information including price, inventory and certifications: [N Male Low PIM Connector Solder Attachment for 1/2" Helical, 1/2" Superflexible, SPP-500-LLPL, SPO-500, SPF-500 PE45994](#)

URL: <https://www.pasternack.com/n-male-1-2-inch-helical-1-2-inch-superflexible-connector-pe45994-p.aspx>

The information contained within this document is accurate to the best of our knowledge and representative of the part described herein. It may be necessary to make modifications to the part and/or the documentation of the part in order to impliment improvements. Pasternack Enterprises reserves the right to make such changes as required. Unless otherwise stated, all specifications are nominal. Pasternack Enterprises does not make any representation or warranty regarding the suitability of the part described herein for any particular purpose, and Pasternack Enterprises does not assume liability arising out of the use of any part or document.

PE45994 CAD Drawing

N Male Low PIM Connector Solder Attachment for 1/2" Helical, 1/2" Superflexible, SPP-500-LLPL, SPO-500, SPF-500



REVISION		DATE	CHANGED BY	APPROVED BY
ZONE	REV.	DESCRIPTION	INITIAL RELEASE	
	A		11/02/2023	BPUCHASKI
				AGANWANI

PE PASTERNAK
an INFINITI® brand

Website: www.Pasternack.com
Phone: 1.866.727.8376 | 1.949.261.1920

SCALE: NONE
SHEET: 1 OF 1

INTERPRET ALL DIMENSIONS AND TOLERANCES PER ASME Y14.5

DESCRIPTION: LOW PIM CONNECTOR, N M FOR .5" SUPER FLEX, SOLDER

SIZE	A	CAGE CODE	53919	DRAWN BY	BPUCHASKI	ITEM NO.	PE45994	REV	A
------	---	-----------	-------	----------	-----------	----------	---------	-----	---

UNLESS OTHERWISE SPECIFIED, LEADING DIMENSIONS ARE IN INCHES. DIMENSIONS IN [] ARE MILLIMETERS.

TOLERANCES:
 .X = ±.2 [5]
 .XX = ±.02 [0.5]
 .XXX = ±.005 [0.13]

FRACTIONS: ± 1/32
 ANGLES: ± 1°

CABLE LENGTH TOLERANCES:
 < 12 [305] ≤ 60 [1524] = ±.1 [25] / -0
 > 60 [1524] ≤ 120 [3048] = ±.4 [102] / -0
 > 120 [3048] ≤ 300 [7620] = ±.8 [203] / -0

ALL DIMENSIONS ARE FOR REFERENCE ONLY. UNLESS OTHERWISE SPECIFIED, DIMENSIONS ARE IN INCHES. DIMENSIONS IN [] ARE MILLIMETERS. COLORS MAY VARY.

THE INFORMATION CONTAINED IN THIS DRAWING IS THE SOLE PROPERTY OF INFINITE ELECTRONICS, INC. ANY REPRODUCTION IN PART OR WHOLE WITHOUT THE WRITTEN PERMISSION OF INFINITE ELECTRONICS, INC. IS PROHIBITED. THESE COMMODITIES, TECHNOLOGY OR SERVICES ARE EXPORTED FROM THE UNITED STATES IN ACCORDANCE WITH THE EXPORT ADMINISTRATION REGULATIONS. DIVERSION CONTRARY TO U.S. LAW PROHIBITED.

PE DS Rev-D4 Add2



Low Loss SPP-500-LLPL Plenum Rated Corrugated Coax Cable with Blue FEP Jacket Superflexible

Times Microwave Systems Coax Cable Specification

Configuration

- Low Loss, Plenum Corrugated Cable
- 1 Shield(s)

Features

- PIM < -160 dBc
- UL910 Plenum Rated Cable
- Lightweight and Extremely Flexible
- Low Loss Dielectric 76% VoP
- Shielding >100 dB
- UV Resistant FEP Jacket

Applications

- Distributed Antenna Systems (DAS)
- Plenum Installations
- Small Cells
- Multi-Carrier Communication Systems
- PIM Testing
- Antenna Jumpers

Description

SPP-500-LLPL low loss, low PIM Plenum Rated coax cable by Times Microwave is part of our full line of RF components available for same-day shipping. The SPP-500-LLPL coaxial cable features a low loss dielectric with an 76% velocity of propagation (VoP), BCCAL center conductor and a helically corrugated, copper outer conductor. This cable is UL listed, type CMP (plenum) rated coax. These features combine to make the Times Microwave SPP-500-LLPL a super flexible, low PIM coax cable that is well suited for use as an antenna jumper cable, Distributed Antenna Systems (DAS), small cell, and other applications where Fire Rated material is required. The durable FEP outer jacket makes this cable appropriate for a wide range of indoor or outdoor applications.

Our datasheet specifications and drawing with dimensions for Times Microwave SPP-500-LLPL coax cable are shown below in this PDF. Whether the need is to provide a low PIM jumper connection, low PIM feeder cable or simply create a custom cable assembly configuration, Pasternack has the right SPP-500-LLPL low PIM cable assembly for the job. See our web site to find the right connector cable combination for your application.

Electrical Specifications

Description	Minimum	Typical	Maximum	Units
Frequency Range	DC		5.8	GHz
Impedance		50		Ohms
Velocity of Propagation		76		%
Passive Intermodulation			-160	dBc
Nominal Capacitance		26.2 [85.96]		pF/ft [pF/m]

Click the following link (or enter part number in "SEARCH" on website) to obtain additional part information including price, inventory and certifications: [Low Loss SPP-500-LLPL Plenum Rated Corrugated Coax Cable with Blue FEP Jacket Superflexible SPP-500-LLPL](#)



Low Loss SPP-500-LLPL Plenum Rated Corrugated Coax Cable with Blue FEP Jacket Superflexible

RF Cables
Technical Data Sheet



SPP-500-LLPL

Performance by Frequency Band

Description	F1	F2	F3	F4	F5	Units
Frequency	0.45	1.5	2	2.5	5.8	GHz
Attenuation, Typ	2.29	4.41	5.12	5.82	9.23	dB/100ft
	7.51	14.47	16.8	19.09	30.28	dB/100m
Input Power (CW), Max	2,500	1,340	1,150	1,020	650	Watts

Mechanical Specifications

Diameter	0.5 in [12.7 mm]
Weight	0.072 lbs/ft [0.11 Kg/m]
Min. Bend Radius (Installation)	1.5 in [38.1 mm]

Construction Specifications

Description	Material and Plating	Diameter
Inner Conductor	Copper Clad Aluminum ¹	0.136 in 3.45 mm
Conductor Type	Solid	
Dielectric	PTFE	0.37 in 9.4 mm
Outer Conductor	Copper Corrugated	0.472 in 11.99 mm
Jacket	FEP, Blue	0.5 in [12.7 mm]

Environmental Specifications

Temperature	
Operating Range	-55 to +200 deg C

Click the following link (or enter part number in "SEARCH" on website) to obtain additional part information including price, inventory and certifications: [Low Loss SPP-500-LLPL Plenum Rated Corrugated Coax Cable with Blue FEP Jacket Superflexible SPP-500-LLPL](#)



Low Loss SPP-500-LLPL Plenum Rated Corrugated Coax Cable with Blue FEP Jacket Superflexible

RF Cables Technical Data Sheet



SPP-500-LLPL

Compliance Certifications (see [product page](#) for current document)

Plotted and Other Data

Notes:

Low Loss SPP-500-LLPL Plenum Rated Corrugated Coax Cable with Blue FEP Jacket Superflexible from Pasternack Enterprises has same day shipment for domestic and International orders. Our RF, microwave and millimeter wave products maintain a 99.4% availability and are part of the broadest selection in the industry.

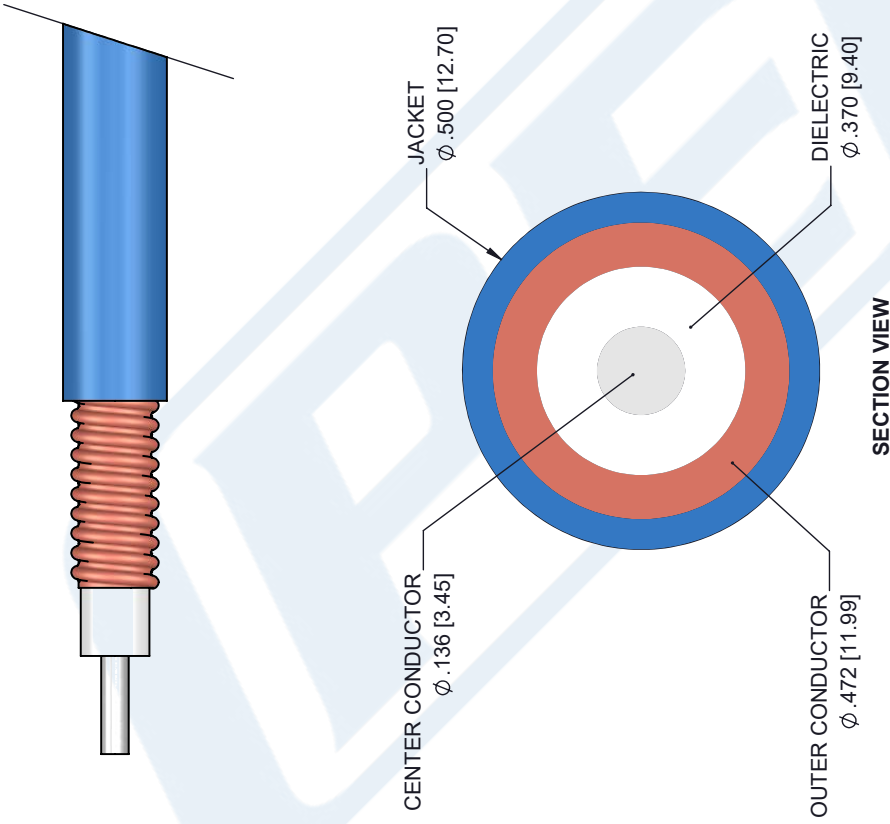
Click the following link (or enter part number in "SEARCH" on website) to obtain additional part information including price, inventory and certifications: [Low Loss SPP-500-LLPL Plenum Rated Corrugated Coax Cable with Blue FEP Jacket Superflexible SPP-500-LLPL](#)

URL: <https://www.pasternack.com/low-loss-corrugated-spp500llpl-fep-jacket-spp-500-llpl-p.aspx>

The information contained in this document is accurate to the best of our knowledge and representative of the part described herein. It may be necessary to make modifications to the part and/or the documentation of the part, in order to implement improvements. Pasternack reserves the right to make such changes as required. Unless otherwise stated, all specifications are nominal. Pasternack does not make any representation or warranty regarding the suitability of the part described herein for any particular purpose, and Pasternack does not assume any liability arising out of the use of any part or documentation.

TIMES MICROWAVE SYSTEMS **SPP-500-LLPL CAD Drawing**
 Low Loss SPP-500-LLPL Plenum Rated Corrugated Coax
 Cable with Blue FEP Jacket Superflexible

REVISIONS			
REV.	DESCRIPTION	DATE	APPROVED
A	INITIAL RELEASE	03/04/19	S. ELLIS



UNLESS OTHERWISE SPECIFIED LEADING DIMENSIONS ARE INCHES DIMENSIONS IN [] ARE MILLIMETERS TOLERANCES: X±.2 [5.08] FRACTIONS ±1/32 XX±.01 [.25] ANGLES ± 1° .XXX±.005 [0.13]	PASTERNACK an INFINITI brand Pasternack Enterprises, Inc. P.O. Box 16759, Irvine, CA 92623. Phone: 1.949.261.1920 1.866.727.8376 Fax: 1.949.261.7451 www.pasternack.com e-mail: sales@pasternack.com	THE INFORMATION AND DESIGN IN THIS DOCUMENT IS THE PROPERTY OF PASTERNACK CORPORATION. ALL RIGHTS RESERVED.
		SHEET 1 OF 1 SCALE N/A
SIZE A CAGE 53919 DRAWN BY K.DANG	PART NUMBER SPP-500-LLPL	REV A

THIRD-ANGLE PROJECTION

THESE COMMODITIES, TECHNOLOGY OR SOFTWARE WERE EXPORTED FROM THE UNITED STATES IN ACCORDANCE WITH THE EXPORT ADMINISTRATION REGULATIONS. DIVERSION CONTRARY TO U.S. LAW PROHIBITED.