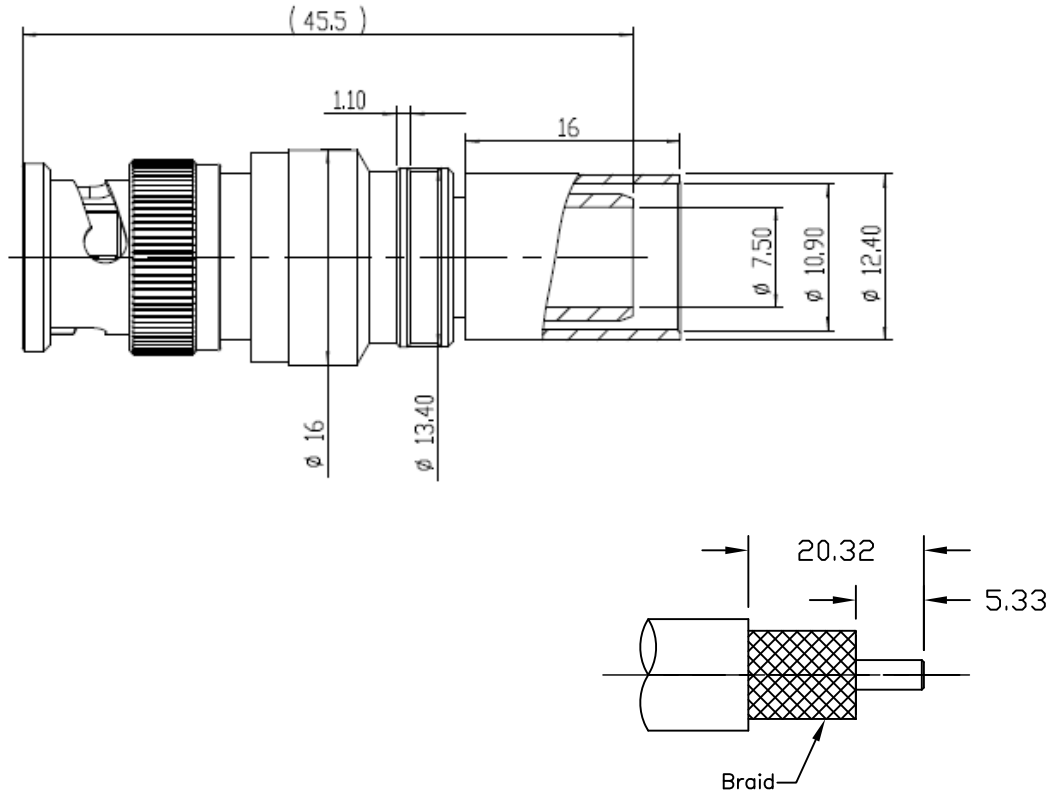


NOTICE OF PROPRIETARY RIGHTS THIS DOCUMENT CONTAINS CONFIDENTIAL TECHNICAL DATA, INCLUDING TRADE SECRETS, PROPRIETARY TO TIMES MICROWAVE SYSTEMS. DISCLOSURE OF THIS DATA IS EXPRESSLY CONDITIONED UPON YOUR ASSENT THAT ITS USE IS LIMITED TO USE WITHIN YOUR COMPANY ONLY. ANY OTHER USE IS STRICTLY PROHIBITED WITHOUT THE PRIOR WRITTEN CONSENT OF TIMES MICROWAVE SYSTEMS.

SYM	REVISION DESCRIPTION	DFTM	DATE	APPD	DATE
A	RELEASED FOR PRODUCTION	N. N. N	8/6/13	J. D. B.	8/9/13



Reference standard IEC60169-8

I. Electric Performance
 Nominal Impedance(Ω): 50
 Frequency Range: DC-4GHz
 VSWR: ≤ 1.35
 Insert Loss: ≤ 0.1
 Insulation resistance ($M\Omega$): 25000
 Withstand voltage (V): 1500
 Conductor resistance ($m\Omega$):
 outer conductor < 0.4
 inner conductor < 1.5

II. Mechanical Performance
 Tensile force(cable-connect): 400N
 Torsion(cable-connect): 2N.m

III. Material and plating:

Component	Material	Plating
inner conductor	Spring copper	Au 1.27um
outer conductor	Brass	Copper-tin-zinc 2um
insulator	PTFE	
o-ring	Silicone rubber	

IV. Environment

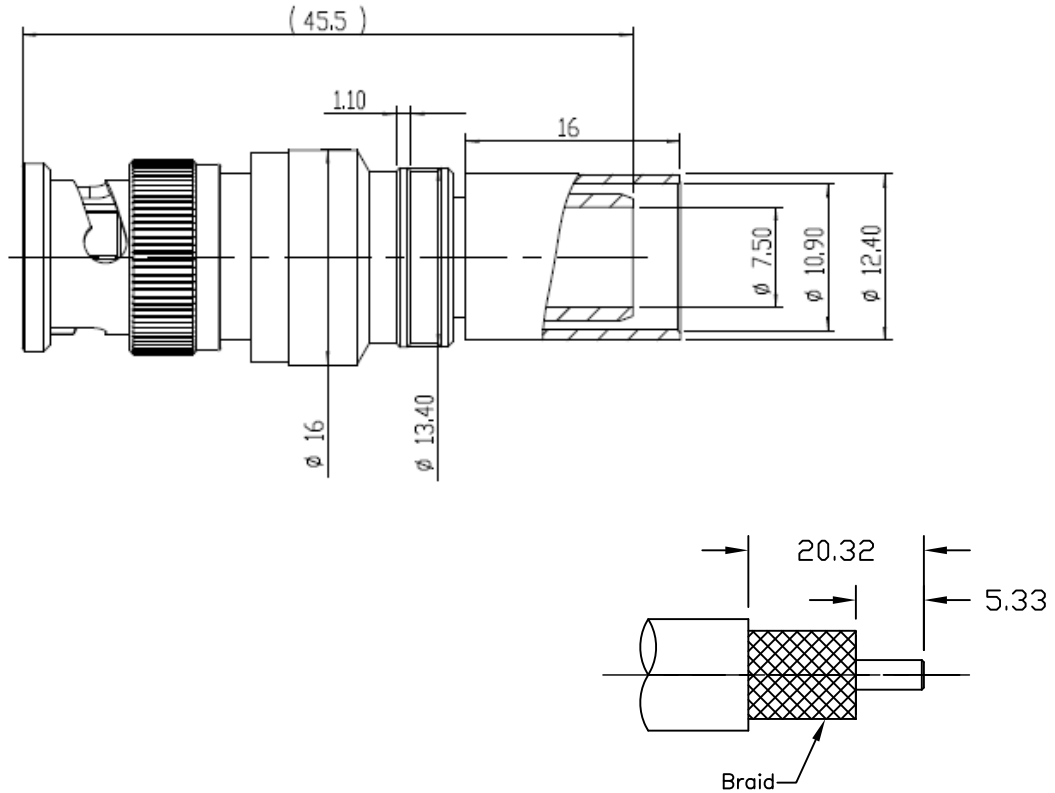
Temp.range: -55°C~+155°C
 Weather standard: IEC 60068 55 / 155/ 56
 Thermal shock: US MIL-STD 202,Meth.107,Cond.B
 Vibration: US MIL-STD 202,Meth.204,Cond.B
 Shock: US MIL-STD 202,Meth.213,Cond.I
 ROHS compliant

V. Assemble: inner conductor installed and outer conductor crimped

MATL:	UNLESS OTHERWISE SPECIFIED		DFTM: N. N. N	TIMES MICROWAVE SYSTEMS	
	ALL DIMENSIONS ARE IN mm MACHINED SURFACES FINISH N/A RMS MAX. REMOVE ALL BURRS N/A MAX. BREAK MACHINE CORNERS N/A MAX. FILLET R. TOLERANCES ON DECIMALS . XX \pm N/A . XXX \pm N/A ANGLES \pm N/A FRACTIONS \pm N/A		DATE: 8/6/13		
USED ON: ~			CHKD: J. D. B.	EZ-400-BM-X BNCM for LMR-400	
			DATE: 8/9/13		
SCALE: N/A	DWG. SIZE: A	DO NOT SCALE DRAWING	CODE IDENT: 68999	APPD: J. D. B.	SHEET: 1 of 1
			DATE: 8/9/13	DATE: 8/9/13	

NOTICE OF PROPRIETARY RIGHTS THIS DOCUMENT CONTAINS CONFIDENTIAL TECHNICAL DATA, INCLUDING TRADE SECRETS, PROPRIETARY TO TIMES MICROWAVE SYSTEMS. DISCLOSURE OF THIS DATA IS EXPRESSLY CONDITIONED UPON YOUR ASSENT THAT ITS USE IS LIMITED TO USE WITHIN YOUR COMPANY ONLY. ANY OTHER USE IS STRICTLY PROHIBITED WITHOUT THE PRIOR WRITTEN CONSENT OF TIMES MICROWAVE SYSTEMS.

SYM	REVISION DESCRIPTION	DFTM	DATE	APPD	DATE
A	RELEASED FOR PRODUCTION	N. N. N	8/6/13	J. D. B.	8/9/13



Reference standard IEC60169-8

I. Electric Performance
 Nominal Impedance(Ω): 50
 Frequency Range: DC-4GHz
 VSWR: ≤ 1.35
 Insert Loss: ≤ 0.1
 Insulation resistance ($M\Omega$): 25000
 Withstand voltage (V): 1500
 Conductor resistance ($m\Omega$):
 outer conductor < 0.4
 inner conductor < 1.5

II. Mechanical Performance
 Tensile force(cable-connect): 400N
 Torsion(cable-connect): 2N.m

III. Material and plating:

Component	Material	Plating
inner conductor	Spring copper	Au 1.27um
outer conductor	Brass	Copper-tin-zinc 2um
insulator	PTFE	
o-ring	Silicone rubber	

IV. Environment
 Temp.range: -55°C~+155°C
 Weather standard: IEC 60068 55 / 155/ 56
 Thermal shock: US MIL-STD 202,Meth.107,Cond.B
 Vibration: US MIL-STD 202,Meth.204,Cond.B
 Shock: US MIL-STD 202,Meth.213,Cond.I
 ROHS compliant

V. Assemble: inner conductor installed and outer conductor crimped

MATL:	UNLESS OTHERWISE SPECIFIED		DFTM: N. N. N	TIMES MICROWAVE SYSTEMS			
	ALL DIMENSIONS ARE IN mm MACHINED SURFACES FINISH N/A RMS MAX. REMOVE ALL BURRS N/A MAX. BREAK MACHINE CORNERS N/A MAX. FILLET R. TOLERANCES ON DECIMALS . XX \pm N/A . XXX \pm N/A ANGLES \pm N/A FRACTIONS \pm N/A		DATE: 8/6/13				
USED ON: ~			CHKD: J. D. B.	EZ-400-BM-X BNCM for LMR-400			
			DATE: 8/9/13				
SCALE: N/A	DWG. SIZE: A	DO NOT SCALE DRAWING	CODE IDENT: 68999	DATE: 8/9/13	SH: 1 of 1	SD3190-2852	REV: A



Low PIM Flexible TCOM-400 Coax Cable Double Shielded with Black PE Jacket

RF Cables Technical Data Sheet

Times Microwave Systems Coax Cable Specification

Configuration

- Low PIM Flexible Cable
- 2 Shield(s)

Description

TCOM-400 part number from Pasternack is a low PIM coax cable that is flexible. Pasternack flexible coax RF cable has an impedance of 50 Ohm and a Foam PE dielectric. Our TCOM-400 coax cable is constructed with a 0.405-inch jacket made of polyethylene. This coaxial cable has a dielectric withstanding voltage of 2500 Vdc.

The TCOM-400 flexible RF cable has a shield count of 2 and RF shielding of 100 dB. Our coax cable from Pasternack has a maximum frequency of 10 GHz. The maximum passive intermodulation of this low PIM cable is -155 dBc. Additional specifications for this TCOM-400 double-shielded RF coaxial cable are on our downloadable PDF datasheet above.

Our TCOM-400 coax cable can operate at temperatures ranging from -40 to 85 degrees C. This black-colored flexible RF cable with a 50 Ohm impedance has a typical insertion loss/maximum attenuation of 15.7 dB/100ft at a frequency of 10 GHz. The TCOM-400 flexible RF cable has a solid copper clad aluminum center conductor. This coaxial cable features a dual shield of tinned copper braid over the silver plated copper braid.

Pasternack TCOM-400 low PIM coax cables are part of over 40,000 RF, microwave, and millimeter wave components. These flexible cables and our other RF parts are available for same-day shipping worldwide. Custom RF cable assemblies using TCOM-400 or other coax can be built and shipped the same business day as well.

Electrical Specifications

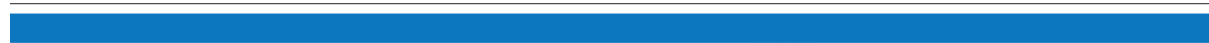
Description	Minimum	Typical	Maximum	Units
Frequency Range	DC		10	GHz
Impedance		50		Ohms
Velocity of Propagation		85		%
Time Delay		1.2 [3.94]		ns/ft [ns/m]
Shielding Effectiveness	100			dB
Passive Intermodulation			-155	dBc
Dielectric Withstanding Voltage (DC)			2,500	Vdc
Jacket Spark			8,000	Vrms
Inner Conductor DC Resistance			1.39	Ohms/1000ft
Outer Conductor DC Resistance			1.47	Ohms/1000ft
Nominal Capacitance		23.9 [78.41]		pF/ft [pF/m]
Nominal Inductance		0.06 [0.2]		uH/ft [uH/m]
Input Power (Peak)			16	kWatts

Click the following link (or enter part number in "SEARCH" on website) to obtain additional part information including price, inventory and certifications: [Low PIM Flexible TCOM-400 Coax Cable Double Shielded with Black PE Jacket TCOM-400](#)



Low PIM Flexible TCOM-400 Coax Cable Double Shielded with Black PE Jacket

RF Cables Technical Data Sheet



Performance by Frequency Band

Description	F1	F2	F3	F4	F5	Units
Frequency	0.15	0.22	0.45	0.9	1.5	GHz
Attenuation, Typ	1.6	2	2.9	4.2	5.4	dB/100ft
	5.25	6.56	9.51	13.78	17.72	dB/100m
Input Power (CW), Max	1,380	1,130	780	540	410	Watts

Description	F6	F7	F8	F9	F10	Units
Frequency	1.8	2	2.5	5.8	10	GHz
Attenuation, Typ	6	6.4	7.2	11.5	15.7	dB/100ft
	19.69	21	23.62	37.73	51.51	dB/100m
Input Power (CW), Max	370	350	310	190	140	Watts

Mechanical Specifications

Diameter	0.405 in [10.29 mm]
Weight	0.08 lbs/ft [0.12 kg/m]
Min. Bend Radius (Installation)	1 in [25.4 mm]
Min. Bend Radius (Repeated)	4 in [101.6 mm]
Bending Moment	0.5 lbs-ft [0.68 N-m]
Tensile Strength	160 lbs [72.57 kg]
Flat Plate Crush	40 lbs/in [0.71 kg/mm]

Construction Specifications

Description	Material and Plating	Diameter
Inner Conductor	Copper Clad Aluminum, 1 Strand	0.108 in [2.74 mm]
Conductor Type	Solid	
Dielectric	PE (F)	0.285 in [7.24 mm]
First Shield	Silver Plated Copper Braid	0.295 in [7.49 mm]

Click the following link (or enter part number in "SEARCH" on website) to obtain additional part information including price, inventory and certifications: [Low PIM Flexible TCOM-400 Coax Cable Double Shielded with Black PE Jacket TCOM-400](#)



Low PIM Flexible TCOM-400 Coax Cable
Double Shielded with Black PE Jacket

RF Cables
Technical Data Sheet

Second Shield	Tinned Copper Braid	0.33 in [8.38 mm]
Jacket	PE, Black	0.405 in [10.29 mm]

Environmental Specifications

Temperature

Operating Range	-40 to +85 deg C
Installation Range	-40 to +85 deg C
Storage Range	-70 to +85 deg C

Compliance Certifications (see [product page](#) for current document)

Plotted and Other Data

Notes:

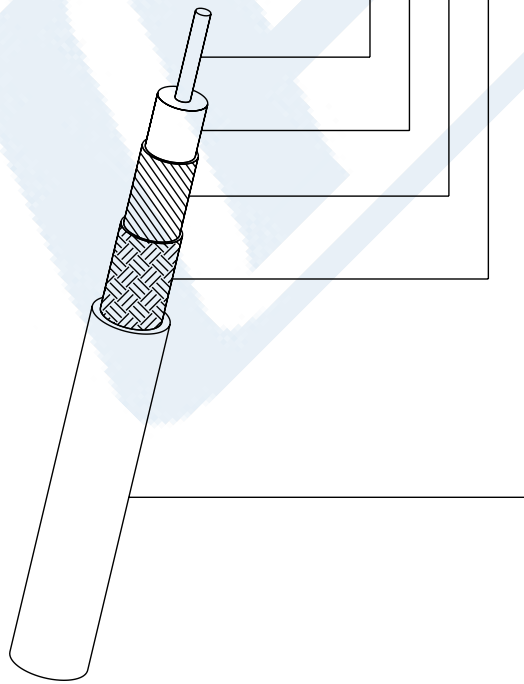
Low PIM Flexible TCOM-400 Coax Cable Double Shielded with Black PE Jacket from Pasternack Enterprises has same day shipment for domestic and International orders. Our RF, microwave and millimeter wave products maintain a 99.4% availability and are part of the broadest selection in the industry.

Click the following link (or enter part number in "SEARCH" on website) to obtain additional part information including price, inventory and certifications: [Low PIM Flexible TCOM-400 Coax Cable Double Shielded with Black PE Jacket TCOM-400](#)

URL: <https://www.pasternack.com/low-pim-flexible-tcom400-pe-jacket-silver-plated-copper-braid-over-tinned-copper-braid-outer-conductor-double-shielded-tcom-400-p.aspx>

The information contained in this document is accurate to the best of our knowledge and representative of the part described herein. It may be necessary to make modifications to the part and/or the documentation of the part, in order to implement improvements. Pasternack reserves the right to make such changes as required. Unless otherwise stated, all specifications are nominal. Pasternack does not make any representation or warranty regarding the suitability of the part described herein for any particular purpose, and Pasternack does not assume any liability arising out of the use of any part or documentation.

REVISION			
ZONE	REV	DESCRIPTION	DATE
	A	INITIAL RELEASE	3/20/2023
		CHANGED BY	AGANWANI
		KDANG	



Inner Conductor	Ø .108 [2.74]	Solid BCCAI
Dielectric	Ø .285 [7.24]	Foam PE (Polyethylene)
First Shield	Ø .295 [7.49]	SPC Strip Braid
Second Shield	Ø .330 [8.38]	TC Braid Over Al Tape
Jacket	Ø .405 [10.29]	Black PE (Polyethylene)

UNLESS OTHERWISE SPECIFIED LEADING DIMENSIONS ARE INCHES DIMENSIONS IN [] ARE MILLIMETERS

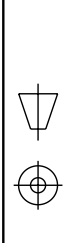
TOLERANCES:
 .X = ±.2 [.5] FRACTIONS
 .XX = ±.02 [.5] ± 1/32
 .XXX = ±.005 [.13] ANGLES ± 1°

CABLE LENGTH TOLERANCES:
 ≤12 [305] = +1 [25] / -0
 >12 [305] ≤ 60 [1524] = +2 [51] / -0
 >60 [1524] ≤ 120 [3048] = +4 [102] / -0
 >120 [3048] ≤ 300 [7620] = +6 [152] / -0
 >300 [7620] = +5% / -0

ALL DIMENSIONS ARE FOR REFERENCE ONLY AND SUBJECT TO CHANGE WITHOUT NOTICE



Website: www.Pasternack.com
 Phone: 1.866.727.8376 | 1.949.261.1920



INTERPRET ALL DIMENSIONS AND TOLERANCES PER ASME Y14.5
 SCALE NONE
 SHEET 1 OF 1

DESCRIPTION
Low PIM Flexible TCOM-400 Rated Coax Cable Double Shielded with Black PE Jacket

ITEM NO. TCOM-400
 DRAWN BY KDANG
 CABLE CODE A 53919
 REV A

THE INFORMATION CONTAINED IN THIS DRAWING IS THE SOLE PROPERTY OF INFINITE ELECTRONICS, INC. ANY REPRODUCTION IN PART OR WHOLE WITHOUT THE WRITTEN PERMISSION OF INFINITE ELECTRONICS, INC. IS PROHIBITED.
 THESE COMMODITIES, TECHNOLOGY OR SOFTWARE WERE EXPORTED FROM THE UNITED STATES IN ACCORDANCE WITH THE EXPORT ADMINISTRATION REGULATIONS. DIVERSION CONTRARY TO U.S. LAW PROHIBITED.