

N Male Low PIM Connector Solder Attachment for 1/2" Helical, 1/2" Superflexible, SPP- 500-LLPL, SPO-500, SPF-500



PE45994

Configuration

- N Male Connector
- 50 Ohms
- Straight Body Geometry
- Connector Interface Types: 1/2" Helical, 1/2" Superflexible, SPP-500-LLPL, SPO-500, SPF-500
- Low PIM Design

Features

- Max. Operating Frequency 6 GHz
- Silver Plated Brass Contact
- Max of VSWR 1.1:1 at 1GHz, Max of VSWR 1.15:1 at 3.7GHz, Max of VSWR 1.25:1 at 6GHz
- PIM is less than -160dBc at 1.8GHz typical

Applications

- General Purpose Test
- Wireless Communications
- Custom Cable Assemblies
- Low PIM Applications

Description

Pasternack's PE45994 type N , N, Low PIM, Connector is part of our full line of RF components available for same-day shipping. Our type N male connector operates up to a maximum frequency of 6 GHz.

Our type N male connector PE45994 datasheet specifications and drawing with dimensions are shown below in this PDF. Pasternack's broad catalog of RF, microwave and millimeter wave connectors allows designers to configure and customize their signal connections however they like. Whether the need is to provide an I/O for a board design, or simply create a custom cable assembly configuration, Pasternack has the right connector for the job. Pasternack can also expertly build your custom cable assemblies for you and ship same-day.

Electrical Specifications

Description	Minimum	Typical	Maximum	Units
Frequency Range	DC		6	GHz
Dielectric Withstanding Voltage (AC)			1,000	Vrms
Impedance		50		Ohms

Mechanical Specifications

Size

Length	1.22 in [30.99 mm]
Width	0.79 in [20.07 mm]
Height	0.85 in [21.59 mm]
Weight	0.072 lbs [32.66 g]

Material Specifications

Description	Material	Plating
Contact	Brass	Silver
Insulation	PTFE	
Body	Brass	Tri-Metal
Coupling Nut	Brass	Tri-Metal

N Male Low PIM Connector Solder Attachment for 1/2" Helical, 1/2" Superflexible, SPP- 500-LLPL, SPO-500, SPF-500



PE45994

Environmental Specifications

Temperature

Operating Range

-40 to +155 deg C

Environmental Specification Notes:

IEC 61169-16

Compliance Certifications (see [product page](#) for current document)

Plotted and Other Data

Notes:

N Male Low PIM Connector Solder Attachment for 1/2" Helical, 1/2" Superflexible, SPP-500-LLPL, SPO-500, SPF-500 from Pasternack Enterprises has same day shipment for domestic and International orders. Our RF, microwave and millimeter wave products maintain a 99.4% availability and are part of the broadest selection in the industry.

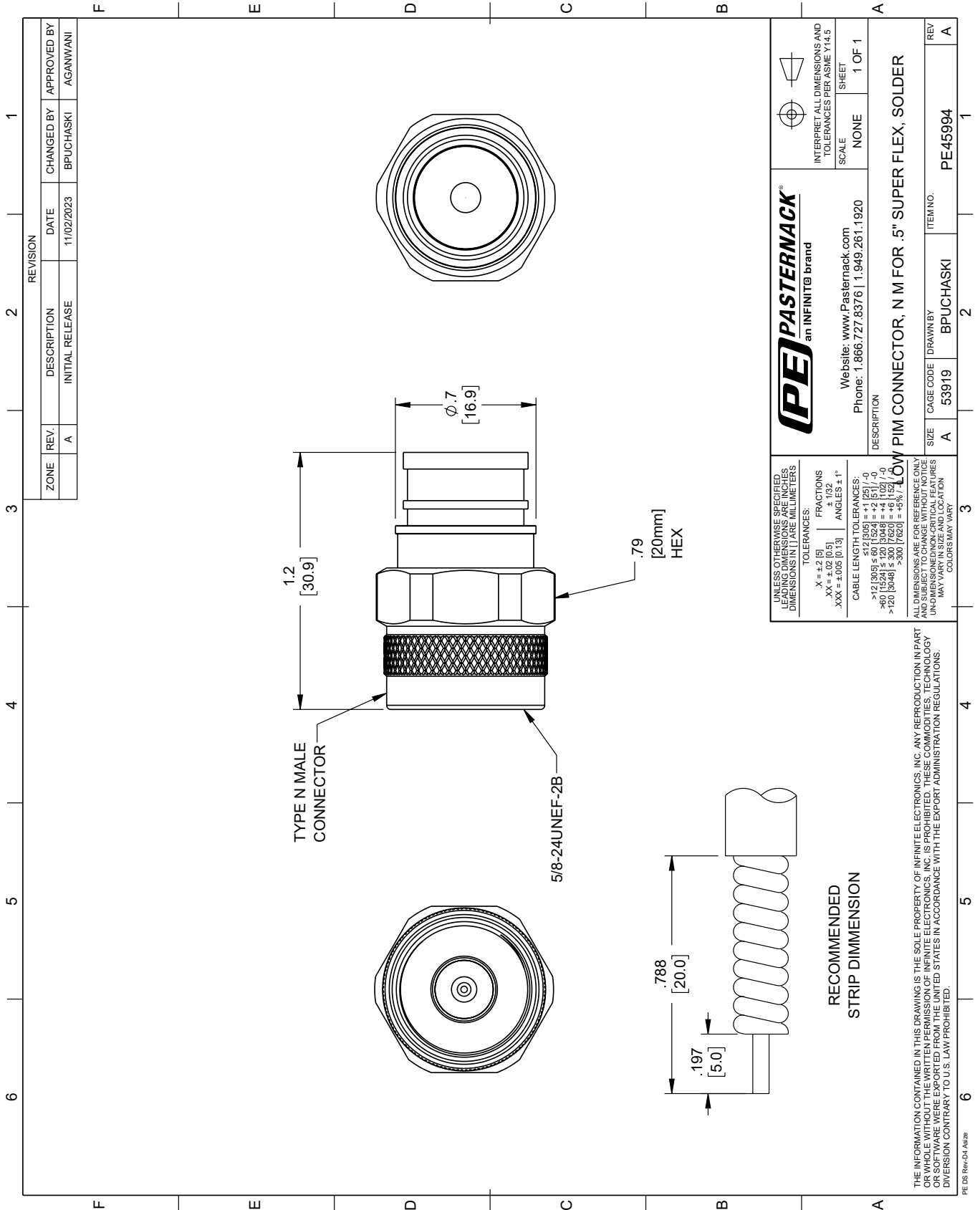
Click the following link (or enter part number in "SEARCH" on website) to obtain additional part information including price, inventory and certifications: [N Male Low PIM Connector Solder Attachment for 1/2" Helical, 1/2" Superflexible, SPP-500-LLPL, SPO-500, SPF-500 PE45994](#)

URL: <https://www.pasternack.com/n-male-1-2-inch-helical-1-2-inch-superflexible-connector-pe45994-p.aspx>

The information contained within this document is accurate to the best of our knowledge and representative of the part described herein. It may be necessary to make modifications to the part and/or the documentation of the part in order to implement improvements. Pasternack Enterprises reserves the right to make such changes as required. Unless otherwise stated, all specifications are nominal. Pasternack Enterprises does not make any representation or warranty regarding the suitability of the part described herein for any particular purpose, and Pasternack Enterprises does not assume liability arising out of the use of any part or document.

PE45994 CAD Drawing

N Male Low PIM Connector Solder Attachment for 1/2" Helical, 1/2" Superflexible, SPP-500-LLPL, SPO-500, SPF-500



N Male Low PIM Connector Solder Attachment for 1/2" Helical, 1/2" Superflexible, SPP- 500-LLPL, SPO-500, SPF-500



PE45994

Configuration

- N Male Connector
- 50 Ohms
- Straight Body Geometry
- Connector Interface Types: 1/2" Helical, 1/2" Superflexible, SPP-500-LLPL, SPO-500, SPF-500
- Low PIM Design

Features

- Max. Operating Frequency 6 GHz
- Silver Plated Brass Contact
- Max of VSWR 1.1:1 at 1GHz, Max of VSWR 1.15:1 at 3.7GHz, Max of VSWR 1.25:1 at 6GHz
- PIM is less than -160dBc at 1.8GHz typical

Applications

- General Purpose Test
- Wireless Communications
- Custom Cable Assemblies
- Low PIM Applications

Description

Pasternack's PE45994 type N , N, Low PIM, Connector is part of our full line of RF components available for same-day shipping. Our type N male connector operates up to a maximum frequency of 6 GHz.

Our type N male connector PE45994 datasheet specifications and drawing with dimensions are shown below in this PDF. Pasternack's broad catalog of RF, microwave and millimeter wave connectors allows designers to configure and customize their signal connections however they like. Whether the need is to provide an I/O for a board design, or simply create a custom cable assembly configuration, Pasternack has the right connector for the job. Pasternack can also expertly build your custom cable assemblies for you and ship same-day.

Electrical Specifications

Description	Minimum	Typical	Maximum	Units
Frequency Range	DC		6	GHz
Dielectric Withstanding Voltage (AC)			1,000	Vrms
Impedance		50		Ohms

Mechanical Specifications

Size

Length	1.22 in [30.99 mm]
Width	0.79 in [20.07 mm]
Height	0.85 in [21.59 mm]
Weight	0.072 lbs [32.66 g]

Material Specifications

Description	Material	Plating
Contact	Brass	Silver
Insulation	PTFE	
Body	Brass	Tri-Metal
Coupling Nut	Brass	Tri-Metal

N Male Low PIM Connector Solder Attachment for 1/2" Helical, 1/2" Superflexible, SPP- 500-LLPL, SPO-500, SPF-500



PE45994

Environmental Specifications

Temperature

Operating Range -40 to +155 deg C

Environmental Specification Notes:

IEC 61169-16

Compliance Certifications (see [product page](#) for current document)

Plotted and Other Data

Notes:

N Male Low PIM Connector Solder Attachment for 1/2" Helical, 1/2" Superflexible, SPP-500-LLPL, SPO-500, SPF-500 from Pasternack Enterprises has same day shipment for domestic and International orders. Our RF, microwave and millimeter wave products maintain a 99.4% availability and are part of the broadest selection in the industry.

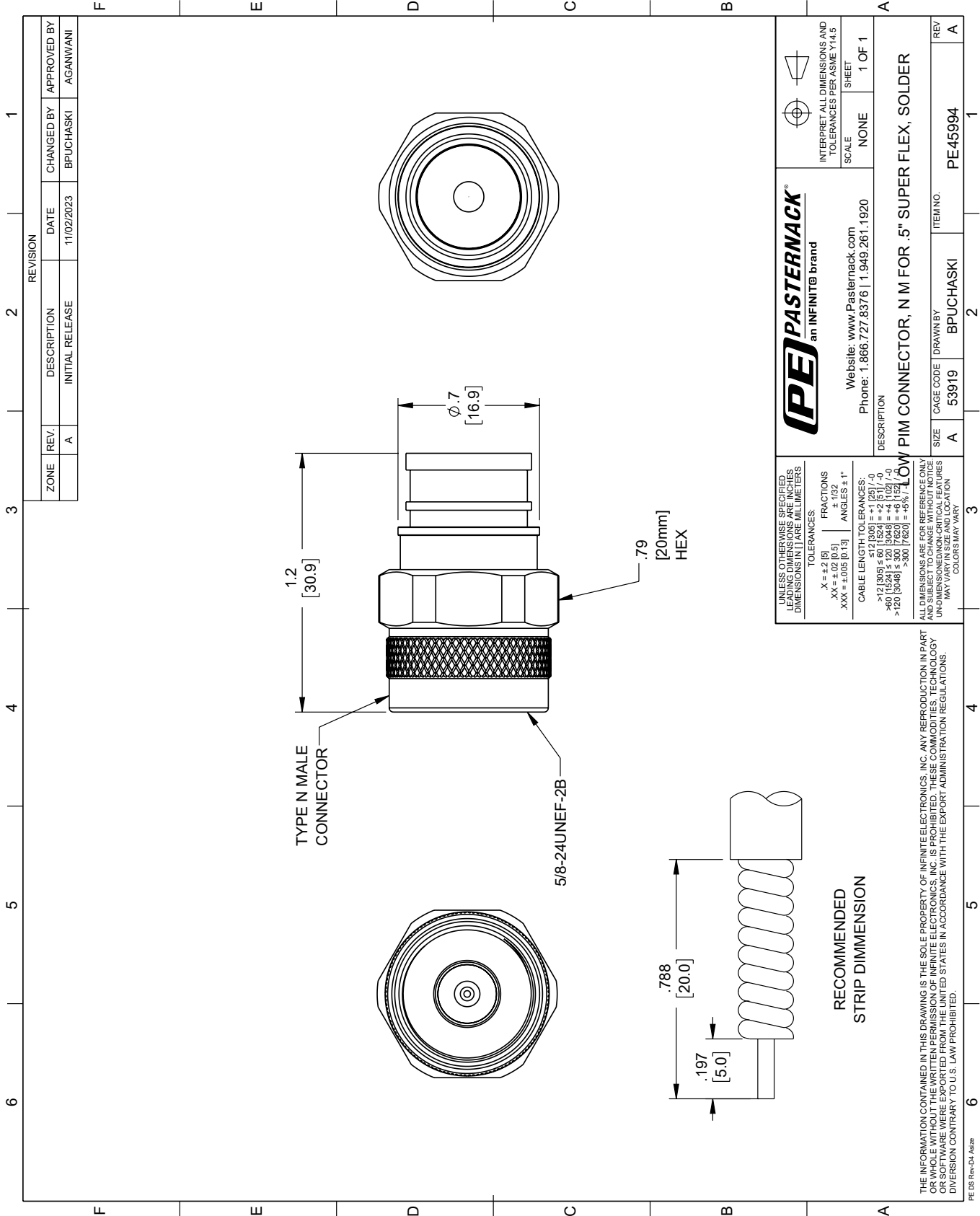
Click the following link (or enter part number in "SEARCH" on website) to obtain additional part information including price, inventory and certifications: [N Male Low PIM Connector Solder Attachment for 1/2" Helical, 1/2" Superflexible, SPP-500-LLPL, SPO-500, SPF-500 PE45994](#)

URL: <https://www.pasternack.com/n-male-1-2-inch-helical-1-2-inch-superflexible-connector-pe45994-p.aspx>

The information contained within this document is accurate to the best of our knowledge and representative of the part described herein. It may be necessary to make modifications to the part and/or the documentation of the part in order to implement improvements. Pasternack Enterprises reserves the right to make such changes as required. Unless otherwise stated, all specifications are nominal. Pasternack Enterprises does not make any representation or warranty regarding the suitability of the part described herein for any particular purpose, and Pasternack Enterprises does not assume liability arising out of the use of any part or document.

PE45994 CAD Drawing

N Male Low PIM Connector Solder Attachment for 1/2" Helical, 1/2" Superflexible, SPP-500-LLPL, SPO-500, SPF-500



REVISION		DATE	CHANGED BY	APPROVED BY
ZONE	REV.	INITIAL RELEASE		
	A	11/02/2023	BPUCHASKI	AGANWANI

(PE) PASTERNAK®
an INFINITE® brand

Website: www.Pasternack.com
Phone: 1.866.727.8376 | 1.949.261.1920

INTERPRET ALL DIMENSIONS AND TOLERANCES PER ASME Y14.5
SCALE: NONE
SHEET: 1 OF 1

UNLESS OTHERWISE SPECIFIED, LEADING DIMENSIONS ARE IN INCHES. DIMENSIONS IN [] ARE MILLIMETERS.

TOLERANCES:
 .X = ±.2 [5]
 .XX = ±.02 [0.5]
 .XXX = ±.005 [0.13]
 FRACTIONS: ± 1/32
 ANGLES: ± 1°

CABLE LENGTH TOLERANCES:
 < 12 [305] ≤ 60 [1524] = ±.1 [25] / -0
 > 60 [1524] ≤ 120 [3048] = ±.4 [102] / -0
 > 120 [3048] ≤ 300 [7620] = ±.8 [203] / -0

ALL DIMENSIONS ARE FOR REFERENCE ONLY. UNLESS OTHERWISE SPECIFIED, DIMENSIONS ARE IN INCHES. DIMENSIONS IN [] ARE MILLIMETERS. COLORS MAY VARY.

DESCRIPTION: **LOW PIM CONNECTOR, N M FOR .5" SUPER FLEX, SOLDER**

SIZE	A	CAGE CODE	53919	DRAWN BY	BPUCHASKI	ITEM NO.	PE45994
REV	A						

THE INFORMATION CONTAINED IN THIS DRAWING IS THE SOLE PROPERTY OF INFINITE ELECTRONICS, INC. ANY REPRODUCTION IN PART OR WHOLE WITHOUT THE WRITTEN PERMISSION OF INFINITE ELECTRONICS, INC. IS PROHIBITED. THESE COMMODITIES, TECHNOLOGY OR SERVICES ARE BEING EXPORTED FROM THE UNITED STATES IN ACCORDANCE WITH THE EXPORT ADMINISTRATION REGULATIONS. DIVERSION CONTRARY TO U.S. LAW PROHIBITED.

PE DS Rev-D4 Add2



Low Loss SPO-500 Rated Corrugated Coax Cable with Black PE Jacket Superflexible Outdoor Rated

RF Cables Technical Data Sheet

Times Microwave Systems Coax Cable Specification

Configuration

- Low Loss Corrugated Cable
- 1 Shield(s)

Features

- PIM < -160 dBc
- Lightweight and Super Flexible
- Low Loss Dielectric 83% VoP
- Shielding > 100 dB
- Durable Black Polyethylene Outer Jacket
- Outdoor Rated

Applications

- Distributed Antenna Systems (DAS)
- Antenna Installations
- Small Cell
- Outdoor Applications
- Commination Tower Install

Description

SPO-500 low loss outdoor rated coax cable by Times Microwave is part of our full line of RF components available for same-day shipping. The SPO-500 coaxial cable features a low loss dielectric with an 83% velocity of propagation (VoP), BCCAL center conductor and a helically corrugated, copper outer conductor. These features combine to make the Times Microwave SPO-500 a superflexible, low PIM coax cable that is well suited for use as an antenna jumper cable, Distributed Antenna Systems (DAS), small cell, and other outdoor applications. The tough, black polyethylene jacket provides moisture and UV protection and is suitable for outdoor use.

Our datasheet specifications and drawing with dimensions for Times Microwave SPO-500 coax cable are shown below in this PDF. Whether the need is to provide a low PIM jumper connection, low PIM feeder cable or simply create a custom cable assembly configuration, Pasternack has the right SPO-500 cable assembly for the job. See our web site to find the right connector cable combination for your application.

Electrical Specifications

Description	Minimum	Typical	Maximum	Units
Frequency Range	DC		6	GHz
Impedance		50		Ohms
Velocity of Propagation		83		%
Passive Intermodulation			-158	dBc
Nominal Capacitance		24 [78.74]		pF/ft [pF/m]

Click the following link (or enter part number in "SEARCH" on website) to obtain additional part information including price, inventory and certifications: [Low Loss SPO-500 Rated Corrugated Coax Cable with Black PE Jacket Superflexible Outdoor Rated SPO-500](#)



Low Loss SPO-500 Rated Corrugated Coax Cable with
Black PE Jacket Superflexible Outdoor Rated

RF Cables
Technical Data Sheet

Performance by Frequency Band

Description	F1	F2	F3	F4	F5	Units
Frequency	0.5	1	2	6		GHz
Attenuation, Typ	2.43	3.51	5.12	9.6		dB/100ft
	7.97	11.52	16.8	31.5		dB/100m
Input Power (CW), Max	1,260	900	610	260		Watts

Mechanical Specifications

Diameter	0.53 in [13.46 mm]
Weight	0.121 lbs/ft [0.18 Kg/m]
Min. Bend Radius (Installation)	2.25 in [57.15 mm]

Construction Specifications

Description	Material and Plating	Diameter
Inner Conductor	Copper Clad Aluminum ¹	0.14 in 3.56 mm
Conductor Type	Solid	
Dielectric	Foam PE	0.35 in 8.89 mm
Outer Conductor	Copper Corrugated	0.48 in 12.19 mm
Jacket	PE, Black	0.53 in [13.46 mm]

Environmental Specifications

Temperature	
Operating Range	-40 to +85 deg C

Click the following link (or enter part number in "SEARCH" on website) to obtain additional part information including price, inventory and certifications: [Low Loss SPO-500 Rated Corrugated Coax Cable with Black PE Jacket Superflexible Outdoor Rated SPO-500](#)



Low Loss SPO-500 Rated Corrugated Coax Cable with Black PE Jacket Superflexible Outdoor Rated

RF Cables Technical Data Sheet

Compliance Certifications (see [product page](#) for current document)

Plotted and Other Data

Notes:

Low Loss SPO-500 Rated Corrugated Coax Cable with Black PE Jacket Superflexible Outdoor Rated from Pasternack Enterprises has same day shipment for domestic and International orders. Our RF, microwave and millimeter wave products maintain a 99.4% availability and are part of the broadest selection in the industry.

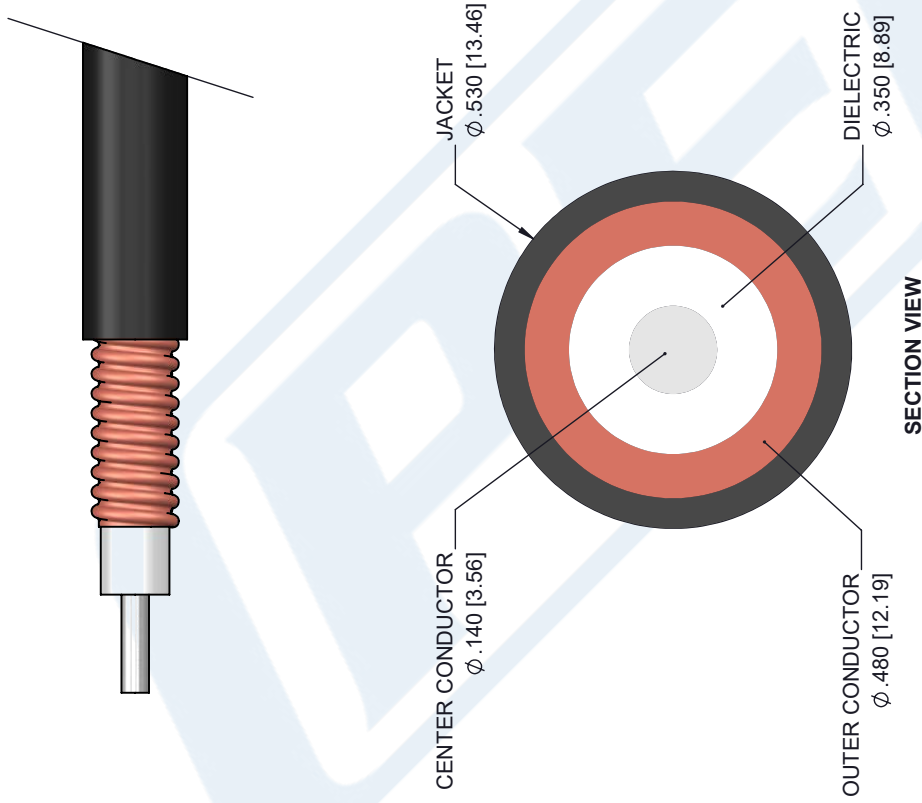
Click the following link (or enter part number in "SEARCH" on website) to obtain additional part information including price, inventory and certifications: [Low Loss SPO-500 Rated Corrugated Coax Cable with Black PE Jacket Superflexible Outdoor Rated SPO-500](#)

URL: <https://www.pasternack.com/low-loss-corrugated-spo500-pe-jacket-spo-500-p.aspx>

The information contained in this document is accurate to the best of our knowledge and representative of the part described herein. It may be necessary to make modifications to the part and/or the documentation of the part, in order to implement improvements. Pasternack reserves the right to make such changes as required. Unless otherwise stated, all specifications are nominal. Pasternack does not make any representation or warranty regarding the suitability of the part described herein for any particular purpose, and Pasternack does not assume any liability arising out of the use of any part or documentation.

TIMES MICROWAVE SYSTEMS **SPO-500 CAD Drawing**
 Low Loss SPO-500 Rated Corrugated Coax Cable with
 Black PE Jacket Superflexible Outdoor Rated

REVISIONS			
REV.	DESCRIPTION	DATE	APPROVED
A	INITIAL RELEASE	03/04/19	S. ELLIS



UNLESS OTHERWISE SPECIFIED LEADING DIMENSIONS ARE INCHES DIMENSIONS IN [] ARE MILLIMETERS TOLERANCES: X±.2 [5.08] FRACTIONS XX±.01 [.25] +1/32 XXX±.005 [1.13] ANGLES ± 1° ALL DIMENSIONS SHOWN ARE FOR REFERENCE ONLY. THIRD-ANGLE PROJECTION		THE INFORMATION AND DESIGN IN THIS DOCUMENT IS THE PROPERTY OF PASTERNAK CORPORATION. ALL RIGHTS RESERVED. SHEET 1 OF 1 SCALE N/A
SIZE A CAGE 53919 DRAWN BY K.DANG PART NUMBER SPO-500	REV A	REV A

THESE COMMODITIES, TECHNOLOGY OR SOFTWARE WERE EXPORTED FROM THE UNITED STATES IN ACCORDANCE WITH THE EXPORT ADMINISTRATION REGULATIONS. DIVERSION CONTRARY TO U.S. LAW PROHIBITED.