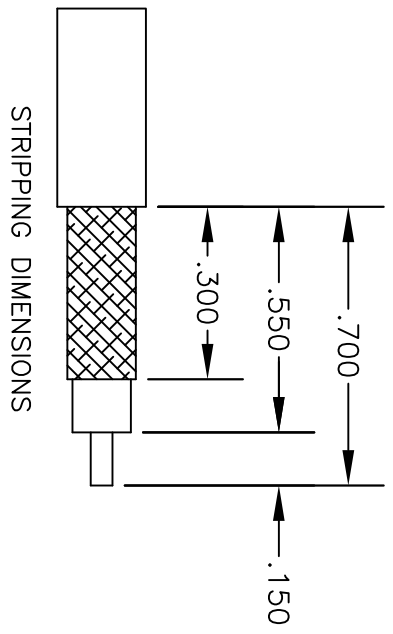
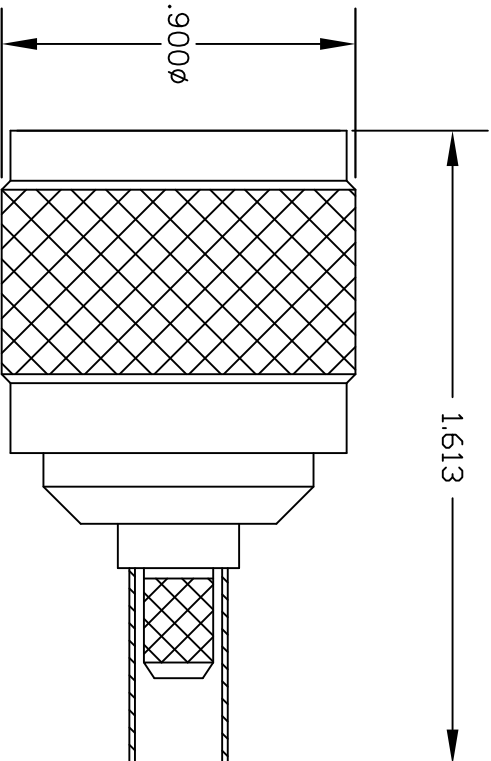


|                  |                     |
|------------------|---------------------|
| <b>MATERIALS</b> |                     |
| BODY             | BRASS NICKEL PLATED |
| CONTACT          | GOLD PLATED         |
| INSULATOR        | PTFE                |



CRIMP SIZES REQUIRED  
 CONTACT: .100" HEX CRIMP TOOL  
 FERRULE: .213" HEX CRIMP TOOL



**PASTERNAK ENTERPRISES, INC.**  
 P.O. BOX 16759, IRVINE, CA 92623  
 PHONE (949) 261-1920 FAX (949) 261-7451  
 WEB ADDRESS: [www.pasternack.com](http://www.pasternack.com)  
 E-MAIL ADDRESS: [sales@pasternack.com](mailto:sales@pasternack.com)  
**COAXIAL & FIBER OPTICS**

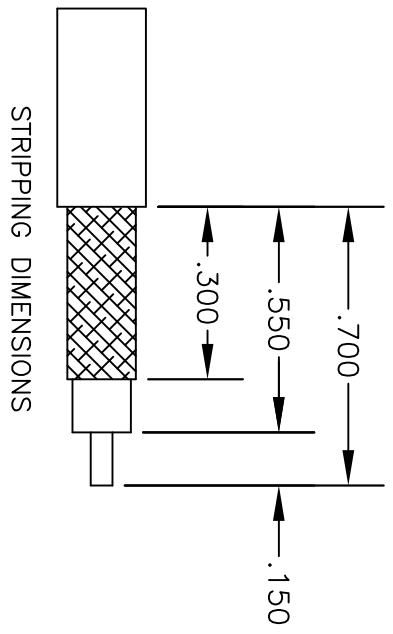
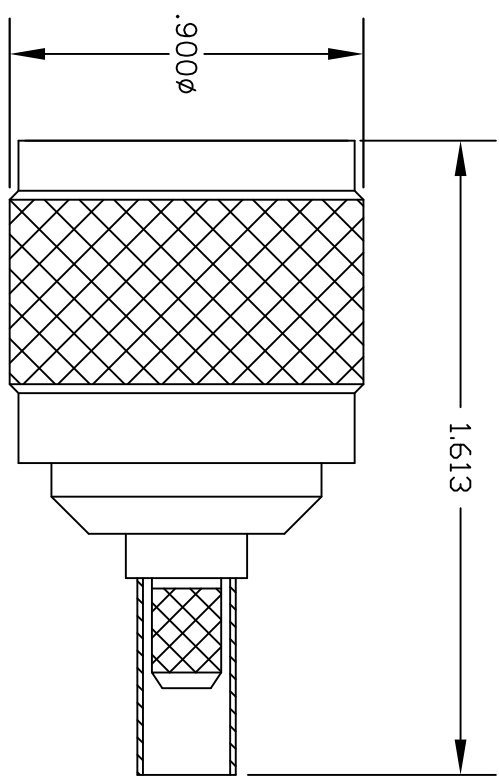
DWG TITLE  
**PE4478**

DES. HN MALE, CRIMP ATTACHMENT FOR RG58

|        |                |          |        |       |     |  |     |
|--------|----------------|----------|--------|-------|-----|--|-----|
| SIZE A | FSCM NO. 53919 | CAD FILE | 051602 | SCALE | N/A |  | 127 |
|--------|----------------|----------|--------|-------|-----|--|-----|

NOTES:  
 1. UNLESS OTHERWISE SPECIFIED ALL DIMENSIONS ARE NOMINAL.  
 2. ALL SPECIFICATIONS ARE SUBJECT TO CHANGE WITHOUT NOTICE AT ANY TIME.

|                  |                     |
|------------------|---------------------|
| <b>MATERIALS</b> |                     |
| BODY             | BRASS NICKEL PLATED |
| CONTACT          | GOLD PLATED         |
| INSULATOR        | PTFE                |



CRIMP SIZES REQUIRED  
 CONTACT: .100" HEX CRIMP TOOL  
 FERRULE: .213" HEX CRIMP TOOL



**PASTERNAK ENTERPRISES, INC.**  
 P.O. BOX 16759, IRVINE, CA 92623  
 PHONE (949) 261-1920 FAX (949) 261-7451  
 WEB ADDRESS: [www.pasternack.com](http://www.pasternack.com)  
 E-MAIL ADDRESS: [sales@pasternack.com](mailto:sales@pasternack.com)  
**COAXIAL & FIBER OPTICS**

DWG TITLE  
**PE4478**

DES. HN MALE, CRIMP ATTACHMENT FOR RG58

|        |                |          |        |       |     |     |
|--------|----------------|----------|--------|-------|-----|-----|
| SIZE A | FSCM NO. 53919 | CAD FILE | 051602 | SCALE | N/A | 127 |
|--------|----------------|----------|--------|-------|-----|-----|

NOTES:  
 1. UNLESS OTHERWISE SPECIFIED ALL DIMENSIONS ARE NOMINAL.  
 2. ALL SPECIFICATIONS ARE SUBJECT TO CHANGE WITHOUT NOTICE AT ANY TIME.



## LMR-195-UF Ultra Flex version of the 195 series Low Loss Coax

### RF Cables Technical Data Sheet



LMR-195-UF

## Times Microwave Systems Coax Cable Specification

### Configuration

- Low Loss, Outdoor Flexible Cable
- 2 Shield(s)

### Features

- Ultra Flexible Coax with Stranded Center Conductor
- Max Operating Frequency of 5.8 GHz
- Phase Velocity 74% VoP
- Max Operating Temperature +85°C
- TPE Jacket
- Min Install Bend Radius of 0.5 inches

### Applications

- RF Test Systems
- Antenna Installs
- Laboratory Applications
- General Purpose RF Interconnect
- Jumper Assemblies

### Description

LMR-195-UF Ultra Flex version of the 195 series Low Loss Coax from Times Microwave is part of the large product offering by Pasternack of radio frequency coaxial cable types specifically stocked to be ready for same-day shipment. Pasternack LMR-195-UF coax cable is manufactured in an ultra flexible design and has a 50 Ohm impedance. This low loss and ultra flexible 50 Ohm coax cable LMR-195-UF is constructed with a 0.195 inch diameter and Black TPE jacket.

LMR-195-UF flexible 50 Ohm coax cable with TPE jacket is rated for a 5.8 GHz maximum operating frequency. This 50 Ohm 0.195 inch diameter and low loss ultra flexible coax cable is built with an aluminum double shield count and RF shielding of 90 dB. Times Microwave LMR-195-UF TPE coax is constructed with Foam PE dielectric and a maximum operating temperature of 85 degrees C. Pasternack's offering of LMR-195-UF coax cable provides specs for this wire on its RF coax cable LMR-195-UF datasheet.

LMR-195-UF cable is part of more than one million RF, microwave parts in stock at Pasternack. This Times Microwave low loss ultra flexible LMR-195-UF coax cable is ready to buy and can be shipped worldwide. Pasternack also maintains a wide selection of other radio frequency coaxial cable types that ship same-day from our warehouse as with the rest of our other RF/microwave components.

\* LMR™ is a trademark of Times Microwave Systems.

### Electrical Specifications

| Description                          | Minimum | Typical   | Maximum | Units      |
|--------------------------------------|---------|-----------|---------|------------|
| Frequency Range                      | DC      |           | 5.8     | GHz        |
| Impedance                            |         | 50        |         | Ohms       |
| Velocity of Propagation              |         | 74        |         | %          |
| Time Delay                           |         | 1.27 4.17 |         | ns/ft ns/m |
| Shielding Effectiveness              | 90      |           |         | dB         |
| Dielectric Withstanding Voltage (DC) |         |           | 1,000   | Vdc        |

Click the following link (or enter part number in "SEARCH" on website) to obtain additional part information including price, inventory and certifications: [LMR-195-UF Ultra Flex version of the 195 series Low Loss Coax LMR-195-UF](#)



## LMR-195-UF Ultra Flex version of the 195 series Low Loss Coax

### RF Cables Technical Data Sheet



LMR-195-UF

|                               |              |       |              |
|-------------------------------|--------------|-------|--------------|
| Jacket Spark                  |              | 3,000 | Vrms         |
| Inner Conductor DC Resistance |              | 9.5   | Ohms/1000ft  |
| Outer Conductor DC Resistance |              | 4.9   | Ohms/1000ft  |
| Nominal Capacitance           | 25.4 [83.33] |       | pF/ft [pF/m] |
| Nominal Inductance            | 0.064 [0.21] |       | uH/ft [uH/m] |
| Input Power (Peak)            |              | 2.5   | kWatts       |

#### Performance by Frequency Band

| Description           | F1   | F2    | F3  | F4    | F5    | Units    |
|-----------------------|------|-------|-----|-------|-------|----------|
| Frequency             | 50   | 150   | 220 | 450   | 900   | MHz      |
| Attenuation, Typ      | 3    | 5.3   | 6.4 | 9.3   | 13.2  | dB/100ft |
|                       | 9.84 | 17.39 | 21  | 30.51 | 43.31 | dB/100m  |
| Input Power (CW), Max | 610  | 350   | 280 | 200   | 140   | Watts    |

| Description           | F6    | F7    | F8    | F9    | F10   | Units    |
|-----------------------|-------|-------|-------|-------|-------|----------|
| Frequency             | 1.5   | 1.8   | 2     | 2.5   | 5.8   | GHz      |
| Attenuation, Typ      | 17.3  | 19    | 20.1  | 22.6  | 35.6  | dB/100ft |
|                       | 56.76 | 62.34 | 65.94 | 74.15 | 116.8 | dB/100m  |
| Input Power (CW), Max | 100   | 90    | 90    | 80    | 50    | Watts    |

#### Mechanical Specifications

|                                 |                          |
|---------------------------------|--------------------------|
| Diameter                        | 0.195 in 4.95 mm         |
| Weight                          | 0.021 lbs/ft [0.03 Kg/m] |
| Min. Bend Radius (Installation) | 0.5 in [12.7 mm]         |
| Min. Bend Radius (Repeated)     | 2 in [50.8 mm]           |
| Bending Moment                  | 0.1 lbs-ft [0.14 N-m]    |
| Tensile Strength                | 40 lbs [18.14 kg]        |
| Flat Plate Crush                | 10 lbs/in [0.18 Kg/mm]   |

#### Construction Specifications

| Description     | Material and Plating | Diameter           |
|-----------------|----------------------|--------------------|
| Inner Conductor | Copper, 1 Strand     | 0.038 in [0.97 mm] |

Click the following link (or enter part number in "SEARCH" on website) to obtain additional part information including price, inventory and certifications: [LMR-195-UF Ultra Flex version of the 195 series Low Loss Coax LMR-195-UF](#)



LMR-195-UF Ultra Flex version of the 195 series Low Loss Coax

RF Cables  
Technical Data Sheet



LMR-195-UF

|                |               |                    |
|----------------|---------------|--------------------|
| Conductor Type | Stranded      |                    |
| Dielectric     | Foam PE       | 0.11 in [2.79 mm]  |
| First Shield   | Aluminum Tape | [ ]                |
| Second Shield  | Tinned Copper | [ ]                |
| Jacket         | TPE, Black    | 0.195 in [4.95 mm] |

**Environmental Specifications**

**Temperature**

|                    |                  |
|--------------------|------------------|
| Operating Range    | -40 to +85 deg C |
| Installation Range | -40 to +85 deg C |
| Storage Range      | -70 to +85 deg C |

**Compliance Certifications** (see [product page](#) for current document)

**Plotted and Other Data**

Notes:

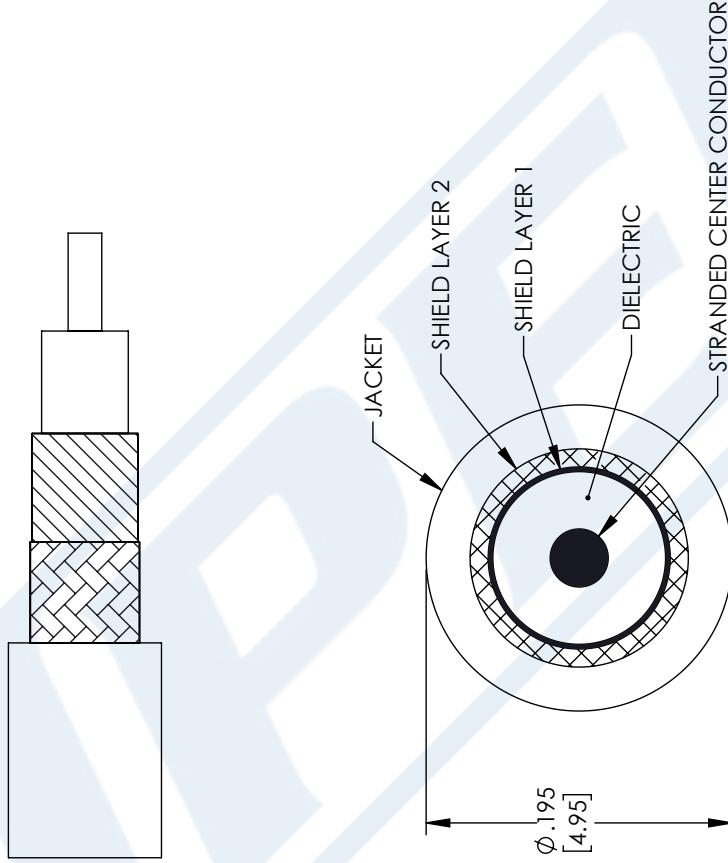
LMR-195-UF Ultra Flex version of the 195 series Low Loss Coax from Pasternack Enterprises has same day shipment for domestic and International orders. Our RF, microwave and millimeter wave products maintain a 99.4% availability and are part of the broadest selection in the industry.

Click the following link (or enter part number in "SEARCH" on website) to obtain additional part information including price, inventory and certifications: [LMR-195-UF Ultra Flex version of the 195 series Low Loss Coax LMR-195-UF](#)

URL: <https://www.pasternack.com/low-loss-flexible-lmr-195-uf-tpe-jacket-aluminum-tape-over-tinned-copper-outer-conductor-double-shielded-lmr-195-uf-p.aspx>

The information contained in this document is accurate to the best of our knowledge and representative of the part described herein. It may be necessary to make modifications to the part and/or the documentation of the part, in order to implement improvements. Pasternack reserves the right to make such changes as required. Unless otherwise stated, all specifications are nominal. Pasternack does not make any representation or warranty regarding the suitability of the part described herein for any particular purpose, and Pasternack does not assume any liability arising out of the use of any part or documentation.

| REVISIONS |                 |            |
|-----------|-----------------|------------|
| REV.      | DESCRIPTION     | DATE       |
| A         | INITIAL RELEASE | 06-04-2021 |
|           |                 | APPROVED   |
|           |                 | SELLIS     |



UNLESS OTHERWISE SPECIFIED  
 LEADING DIMENSIONS ARE INCHES  
 DIMENSIONS IN [ ] ARE MILLIMETERS

**TOLERANCES:**

.X = ±.2 [5.08]    FRACTIONS ± 1/32  
 .XX = ±.02 [ .51]    ANGLES ± 1°  
 .XXX = ±.005 [ .13]

**CABLE LENGTH (L), TOLERANCES:**

L ≤ 12 [305] = +1 [25] / -0  
 12 [305] < L ≤ 60 [1524] = +2 [51] / -0  
 60 [1524] < L ≤ 120 [3048] = +4 [102] / -0  
 120 [3048] < L ≤ 300 [7620] = +6 [152] / -0  
 300 [7620] < L = +5% / -0

ALL DIMENSIONS SHOWN  
 ARE FOR REFERENCE ONLY.

**PE PASTERNAK**  
 an INFINITI brand

Pasternack Enterprises, Inc.  
 P. O. Box 16759, Irvine, CA 92623.  
 Phone: 1.949.261.1920 | 1.866.727.8376  
 Fax: 1.949.261.7451  
 Website: www.pasternack.com  
 E-mail: sales@pasternack.com

ITEM NO. LMR-195-UF

SIZE A    DRAWN BY MVEERAPPAN

THIRD-ANGLE PROJECTION

THE INFORMATION AND DESIGN IN THIS DOCUMENT IS THE PROPERTY OF PASTERNAK CORPORATION ALL RIGHTS RESERVED.

SHEET 1 OF 1

SCALE N/A

REV A