



UHF Male Connector Crimp/Non-Solder Contact Attachment for LMR-600, LMR-600-DB, PE-C600

RF Connectors Technical Data Sheet



EZ-600-UM-X

Times Microwave Systems Connector Specification

Configuration

- UHF Male Connector
- 50 Ohms
- Straight Body Geometry
- Connector Interface Types: LMR-600, LMR-600-DB, PE-C600

Features

- Max. Operating Frequency 3 GHz
- Silver Plated Phosphor Bronze Contact
- 200µin contact plating

Applications

- General Purpose Test
- Custom Cable Assemblies

Description

Times Microwave's EZ-600-UM-X UHF male connector with crimp/non-solder contact attachment for LMR-600 is part of our full line of RF components available for same-day shipping. Times Microwave's UHF male connector operates up to a maximum frequency of 3 GHz.

Times Microwave's UHF male connector EZ-600-UM-X datasheet specifications and drawing with dimensions are shown below in this PDF. Pasternack's broad catalog of RF, microwave and millimeter wave connectors allows designers to configure and customize their signal connections however they like. Whether the need is to provide an I/O for a board design, or simply create a custom cable assembly configuration, Pasternack has the right connector for the job. Pasternack can also expertly build your custom cable assemblies for you and ship same-day.

Electrical Specifications

Description	Minimum	Typical	Maximum	Units
Frequency Range	DC		3	GHz
Insertion Loss			0.17	dB
Impedance		50		Ohms
Dielectric Withstanding Voltage (AC)			2,000	Vrms
Insulation Resistance	10,000			MOhms

Performance by Frequency

Description	F1	F2	F3	F4	F5	Units
Frequency Range	DC to 2.45					GHz
VSWR, Max	1.3:1					

Click the following link (or enter part number in "SEARCH" on website) to obtain additional part information including price, inventory and certifications: [UHF Male Connector Crimp/Non-Solder Contact Attachment for LMR-600, LMR-600-DB, PE-C600 EZ-600-UM-X](#)



UHF Male Connector Crimp/Non-Solder Contact
Attachment for LMR-600, LMR-600-DB, PE-C600

RF Connectors
Technical Data Sheet

Mechanical Specifications

Size

Length	2.54 in [64.52 mm]
Width	0.69 in [17.50 mm]
Height	0.69 in [17.50 mm]
Weight	0.01 lbs [5.39 g]

Material Specifications

Description	Material	Plating
Contact	Phosphor Bronze	Silver 200µin
Insulation	PTFE	
Body	Brass	Tin/Nickel 100µin
Coupling Nut	Brass	Tin/Nickel 100µin
Crimp Sleeve	Copper	Tin/Nickel 100µin

Environmental Specifications

Temperature

Operating Range	-40 to 125 deg C
Shock	MIL-STD-202, Meth. 213, Cond. G
Vibration	MIL-STD-202, Meth. 204, Cond. B
Thermal Shock	MIL-STD-202, Meth. 107, Cond. B

Compliance Certifications (see [product page](#) for current document)

Plotted and Other Data

Notes:

Click the following link (or enter part number in "SEARCH" on website) to obtain additional part information including price, inventory and certifications: [UHF Male Connector Crimp/Non-Solder Contact Attachment for LMR-600, LMR-600-DB, PE-C600 EZ-600-UM-X](#)



UHF Male Connector Crimp/Non-Solder Contact Attachment for LMR-600, LMR-600-DB, PE-C600

RF Connectors Technical Data Sheet

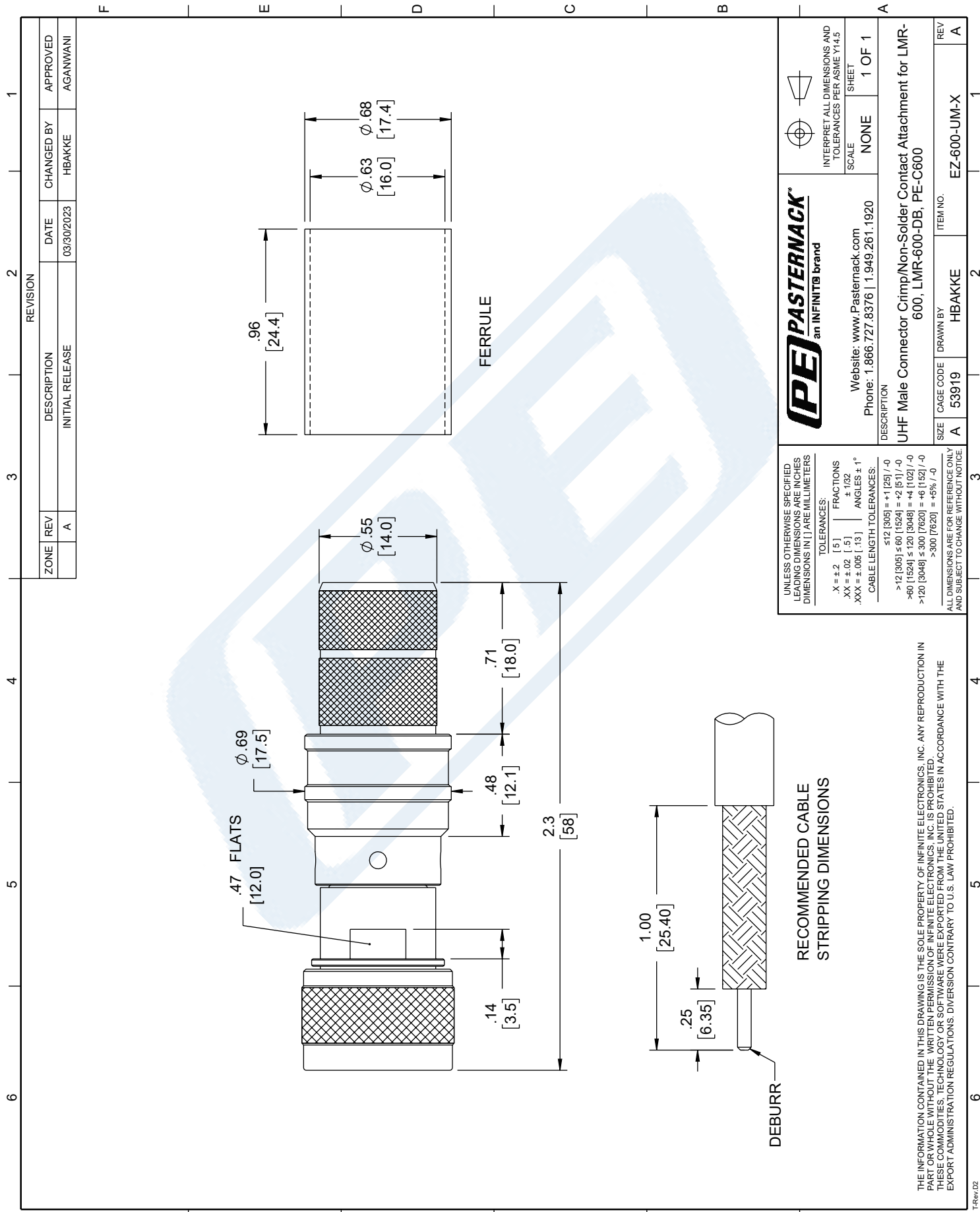
UHF Male Connector Crimp/Non-Solder Contact Attachment for LMR-600, LMR-600-DB, PE-C600 from Pasternack Enterprises has same day shipment for domestic and International orders. Our RF, microwave and millimeter wave products maintain a 99.4% availability and are part of the broadest selection in the industry.

Click the following link (or enter part number in "SEARCH" on website) to obtain additional part information including price, inventory and certifications: [UHF Male Connector Crimp/Non-Solder Contact Attachment for LMR-600, LMR-600-DB, PE-C600 EZ-600-UM-X](https://www.pasternack.com/uhf-male-lmr-600-pe-c600-connector-ez-600-um-x-p.aspx)

URL: <https://www.pasternack.com/uhf-male-lmr-600-pe-c600-connector-ez-600-um-x-p.aspx>

The information contained in this document is accurate to the best of our knowledge and representative of the part described herein. It may be necessary to make modifications to the part and/or the documentation of the part, in order to implement improvements. Pasternack reserves the right to make such changes as required. Unless otherwise stated, all specifications are nominal. Pasternack does not make any representation or warranty regarding the suitability of the part described herein for any particular purpose, and Pasternack does not assume any liability arising out of the use of any part or documentation.

TIMES MICROWAVE SYSTEMS **EZ-600-UM-X CAD Drawing**
 UHF Male Connector Crimp/Non-Solder Contact Attachment
 for LMR-600, LMR-600-DB, PE-C600



ZONE	REV	DESCRIPTION	DATE	CHANGED BY	APPROVED
	A	INITIAL RELEASE	03/30/2023	HBAKKE	AGANWANI

PE PASTERNAK
 an INFINITI[®] brand

Website: www.Pasternack.com
 Phone: 1.866.727.8376 | 1.949.281.1920

UNLESS OTHERWISE SPECIFIED
 LEADING DIMENSIONS ARE INCHES
 DIMENSIONS IN [] ARE MILLIMETERS

TOLERANCES:
 .X = ±.2 [5] | FRACTIONS ±.102
 .XX = ±.02 [.5] | ANGLES ± 1°
 .XXX = ±.005 [.13] | CABLE LENGTH TOLERANCES:
 ≤12 [305] = +1 [25] / -0
 >12 [305] ≤60 [1524] = +2 [51] / -0
 >60 [1524] ≤120 [3048] = +4 [102] / -0
 >120 [3048] ≤300 [7620] = +6 [152] / -0
 >300 [7620] = +5% / -0

ALL DIMENSIONS ARE FOR REFERENCE ONLY
 AND SUBJECT TO CHANGE WITHOUT NOTICE

INTERPRET ALL DIMENSIONS AND TOLERANCES PER ASME Y14.5
 SCALE NONE SHEET 1 OF 1

DESCRIPTION: UHF Male Connector Crimp/Non-Solder Contact Attachment for LMR-600, LMR-600-DB, PE-C600

ITEM NO. 53919
 DRAWN BY HBAKKE
 REV A

RECOMMENDED CABLE STRIPPING DIMENSIONS

DEBURR

THE INFORMATION CONTAINED IN THIS DRAWING IS THE SOLE PROPERTY OF INFINITE ELECTRONICS, INC. ANY REPRODUCTION IN PART OR WHOLE WITHOUT THE WRITTEN PERMISSION OF INFINITE ELECTRONICS, INC. IS PROHIBITED. THESE COMMODITIES, TECHNOLOGY OR SOFTWARE WERE EXPORTED FROM THE UNITED STATES IN ACCORDANCE WITH THE EXPORT ADMINISTRATION REGULATIONS. DIVERSION CONTRARY TO U.S. LAW PROHIBITED.



UHF Male Connector Crimp/Non-Solder Contact Attachment for LMR-600, LMR-600-DB, PE-C600

RF Connectors Technical Data Sheet



EZ-600-UM-X

Times Microwave Systems Connector Specification

Configuration

- UHF Male Connector
- 50 Ohms
- Straight Body Geometry
- Connector Interface Types: LMR-600, LMR-600-DB, PE-C600

Features

- Max. Operating Frequency 3 GHz
- Silver Plated Phosphor Bronze Contact
- 200µin contact plating

Applications

- General Purpose Test
- Custom Cable Assemblies

Description

Times Microwave's EZ-600-UM-X UHF male connector with crimp/non-solder contact attachment for LMR-600 is part of our full line of RF components available for same-day shipping. Times Microwave's UHF male connector operates up to a maximum frequency of 3 GHz.

Times Microwave's UHF male connector EZ-600-UM-X datasheet specifications and drawing with dimensions are shown below in this PDF. Pasternack's broad catalog of RF, microwave and millimeter wave connectors allows designers to configure and customize their signal connections however they like. Whether the need is to provide an I/O for a board design, or simply create a custom cable assembly configuration, Pasternack has the right connector for the job. Pasternack can also expertly build your custom cable assemblies for you and ship same-day.

Electrical Specifications

Description	Minimum	Typical	Maximum	Units
Frequency Range	DC		3	GHz
Insertion Loss			0.17	dB
Impedance		50		Ohms
Dielectric Withstanding Voltage (AC)			2,000	Vrms
Insulation Resistance	10,000			MOhms

Performance by Frequency

Description	F1	F2	F3	F4	F5	Units
Frequency Range	DC to 2.45					GHz
VSWR, Max	1.3:1					

Click the following link (or enter part number in "SEARCH" on website) to obtain additional part information including price, inventory and certifications: [UHF Male Connector Crimp/Non-Solder Contact Attachment for LMR-600, LMR-600-DB, PE-C600 EZ-600-UM-X](#)



UHF Male Connector Crimp/Non-Solder Contact
Attachment for LMR-600, LMR-600-DB, PE-C600

RF Connectors
Technical Data Sheet

Mechanical Specifications

Size

Length	2.54 in [64.52 mm]
Width	0.69 in [17.50 mm]
Height	0.69 in [17.50 mm]
Weight	0.01 lbs [5.39 g]

Material Specifications

Description	Material	Plating
Contact	Phosphor Bronze	Silver 200µin
Insulation	PTFE	
Body	Brass	Tin/Nickel 100µin
Coupling Nut	Brass	Tin/Nickel 100µin
Crimp Sleeve	Copper	Tin/Nickel 100µin

Environmental Specifications

Temperature

Operating Range	-40 to 125 deg C
Shock	MIL-STD-202, Meth. 213, Cond. G
Vibration	MIL-STD-202, Meth. 204, Cond. B
Thermal Shock	MIL-STD-202, Meth. 107, Cond. B

Compliance Certifications (see [product page](#) for current document)

Plotted and Other Data

Notes:

Click the following link (or enter part number in "SEARCH" on website) to obtain additional part information including price, inventory and certifications: [UHF Male Connector Crimp/Non-Solder Contact Attachment for LMR-600, LMR-600-DB, PE-C600 EZ-600-UM-X](#)



UHF Male Connector Crimp/Non-Solder Contact Attachment for LMR-600, LMR-600-DB, PE-C600

RF Connectors Technical Data Sheet

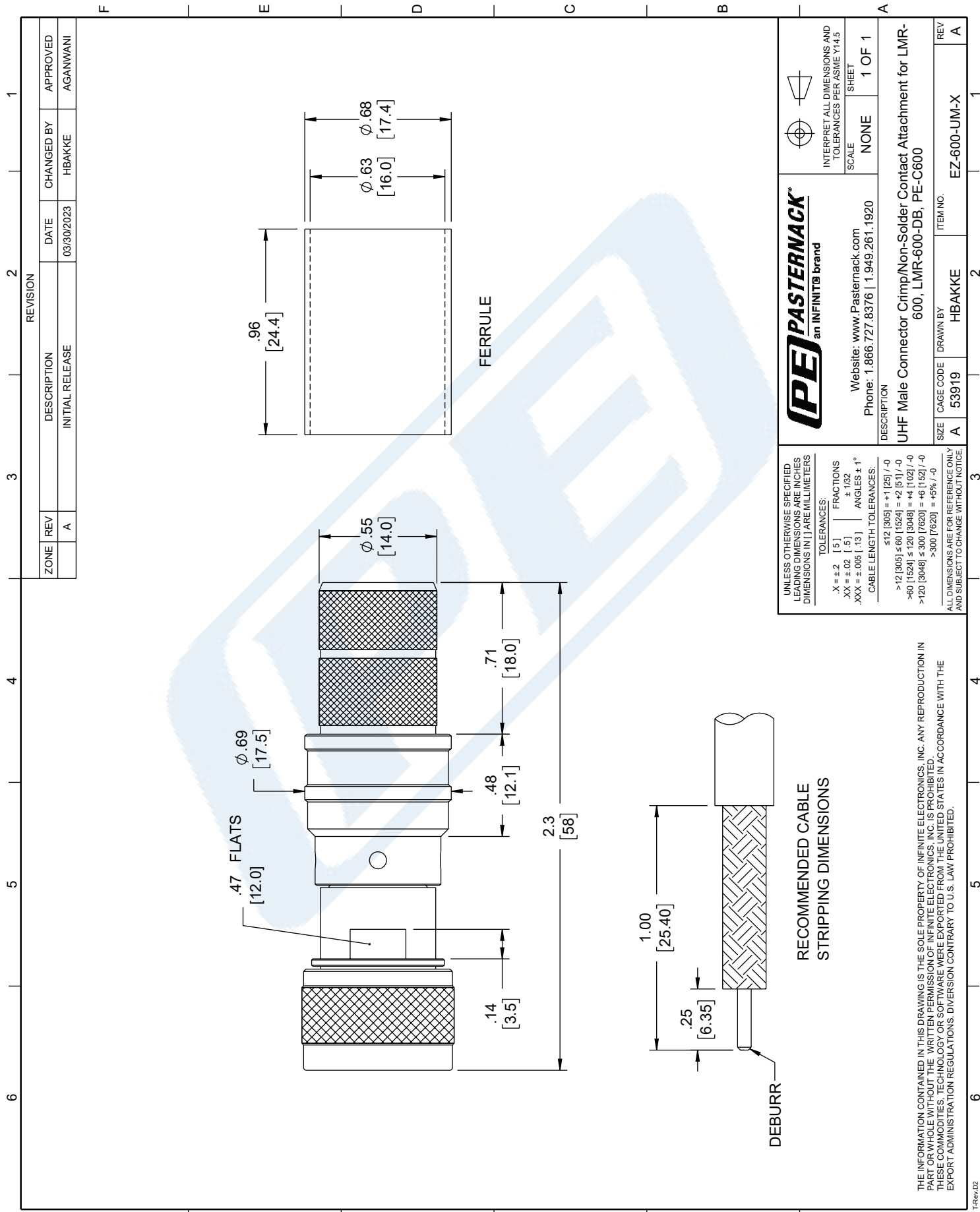
UHF Male Connector Crimp/Non-Solder Contact Attachment for LMR-600, LMR-600-DB, PE-C600 from Pasternack Enterprises has same day shipment for domestic and International orders. Our RF, microwave and millimeter wave products maintain a 99.4% availability and are part of the broadest selection in the industry.

Click the following link (or enter part number in "SEARCH" on website) to obtain additional part information including price, inventory and certifications: [UHF Male Connector Crimp/Non-Solder Contact Attachment for LMR-600, LMR-600-DB, PE-C600 EZ-600-UM-X](https://www.pasternack.com/uhf-male-lmr-600-pe-c600-connector-ez-600-um-x-p.aspx)

URL: <https://www.pasternack.com/uhf-male-lmr-600-pe-c600-connector-ez-600-um-x-p.aspx>

The information contained in this document is accurate to the best of our knowledge and representative of the part described herein. It may be necessary to make modifications to the part and/or the documentation of the part, in order to implement improvements. Pasternack reserves the right to make such changes as required. Unless otherwise stated, all specifications are nominal. Pasternack does not make any representation or warranty regarding the suitability of the part described herein for any particular purpose, and Pasternack does not assume any liability arising out of the use of any part or documentation.

TIMES MICROWAVE SYSTEMS **EZ-600-UM-X CAD Drawing**
 UHF Male Connector Crimp/Non-Solder Contact Attachment
 for LMR-600, LMR-600-DB, PE-C600



ZONE	REV	DESCRIPTION	DATE	CHANGED BY	APPROVED
	A	INITIAL RELEASE	03/30/2023	HBAKKE	AGANWANI

PE PASTERNAK
 an INFINIT® brand

Website: www.Pasternack.com
 Phone: 1.866.727.8376 | 1.949.281.1920

UNLESS OTHERWISE SPECIFIED
 LEADING DIMENSIONS ARE INCHES
 DIMENSIONS IN [] ARE MILLIMETERS

TOLERANCES:
 .X = ±.2 [5] | FRACTIONS ±.102
 .XX = ±.02 [.5] | ±.102
 .XXX = ±.005 [.13] | ANGLES ± 1°

CABLE LENGTH TOLERANCES:
 ≤12 [305] = +1 [25] / -0
 >12 [305] ≤60 [1524] = +2 [51] / -0
 >60 [1524] ≤120 [3048] = +4 [102] / -0
 >120 [3048] ≤300 [7620] = +6 [152] / -0
 >300 [7620] = +5% / -0

ALL DIMENSIONS ARE FOR REFERENCE ONLY
 AND SUBJECT TO CHANGE WITHOUT NOTICE

INTERPRET ALL DIMENSIONS AND TOLERANCES PER ASME Y14.5

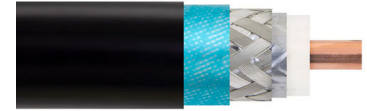
SCALE NONE SHEET 1 OF 1

DESCRIPTION: UHF Male Connector Crimp/Non-Solder Contact Attachment for LMR-600, LMR-600-DB, PE-C600

ITEM NO. 53919 DRAWN BY HBAKKE

RECOMMENDED CABLE STRIPPING DIMENSIONS

THE INFORMATION CONTAINED IN THIS DRAWING IS THE SOLE PROPERTY OF INFINITE ELECTRONICS, INC. ANY REPRODUCTION IN PART OR WHOLE WITHOUT THE WRITTEN PERMISSION OF INFINITE ELECTRONICS, INC. IS PROHIBITED. THESE COMMODITIES, TECHNOLOGY OR SOFTWARE WERE EXPORTED FROM THE UNITED STATES IN ACCORDANCE WITH THE EXPORT ADMINISTRATION REGULATIONS. DIVERSION CONTRARY TO U.S. LAW PROHIBITED.



Low PIM Flexible TCOM-600 Coax Cable Double Shielded with Black PE Jacket

RF Cables Technical Data Sheet

Times Microwave Systems Coax Cable Specification Configuration

- Low PIM Flexible Cable
- 2 Shield(s)

Description

TCOM-600 part number from Pasternack is a low PIM coax cable that is flexible. Pasternack flexible coax RF cable has an impedance of 50 Ohm and a Foam PE dielectric. Our TCOM-600 coax cable is constructed with a 0.59-inch jacket made of polyethylene. This coaxial cable has a dielectric withstanding voltage of 4000 Vdc.

The TCOM-600 flexible RF cable has a shield count of 2 and RF shielding of 100 dB. Our coax cable from Pasternack has a maximum frequency of 10 GHz. The maximum passive intermodulation of this low PIM cable is -155 dBc. Additional specifications for this TCOM-600 double-shielded RF coaxial cable are on our downloadable PDF datasheet above.

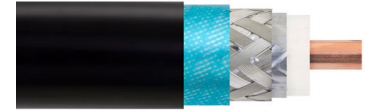
Our TCOM-600 coax cable can operate at temperatures ranging from -40 to 85 degrees C. This black-colored flexible RF cable with a 50 Ohm impedance has a typical insertion loss/maximum attenuation of 10.6 dB/100ft at a frequency of 10 GHz. The TCOM-600 flexible RF cable has a solid copper clad aluminum center conductor. This coaxial cable features a dual shield of tinned copper braid over the silver plated copper braid.

Pasternack TCOM-600 low PIM coax cables are part of over 40,000 RF, microwave, and millimeter wave components. These flexible cables and our other RF parts are available for same-day shipping worldwide. Custom RF cable assemblies using TCOM-600 or other coax can be built and shipped the same business day as well.

Electrical Specifications

Description	Minimum	Typical	Maximum	Units
Frequency Range	DC		10	GHz
Impedance		50		Ohms
Velocity of Propagation		87		%
Time Delay		1.17 [3.84]		ns/ft [ns/m]
Shielding Effectiveness	100			dB
Passive Intermodulation			-155	dBc
Dielectric Withstanding Voltage (DC)			4,000	Vdc
Jacket Spark			8,000	Vrms
Inner Conductor DC Resistance			0.53	Ohms/1000ft
Outer Conductor DC Resistance			1.52	Ohms/1000ft
Nominal Capacitance		23.4 [76.77]		pF/ft [pF/m]
Nominal Inductance		0.058 [0.19]		uH/ft [uH/m]
Input Power (Peak)			40	kWatts

Click the following link (or enter part number in "SEARCH" on website) to obtain additional part information including price, inventory and certifications: [Low PIM Flexible TCOM-600 Coax Cable Double Shielded with Black PE Jacket TCOM-600](#)



Low PIM Flexible TCOM-600 Coax Cable Double Shielded with Black PE Jacket

RF Cables Technical Data Sheet

Performance by Frequency Band

Description	F1	F2	F3	F4	F5	Units
Frequency	0.15	0.22	0.45	0.9	1.5	GHz
Attenuation, Typ	1	1.2	1.8	2.6	3.5	dB/100ft
	3.28	3.94	5.91	8.53	11.48	dB/100m
Input Power (CW), Max	2,280	1,860	1,280	880	660	Watts

Description	F6	F7	F8	F9	F10	Units
Frequency	1.8	2	2.5	5.8	10	GHz
Attenuation, Typ	3.9	4.1	4.6	7.6	10.6	dB/100ft
	12.8	13.45	15.09	24.93	34.78	dB/100m
Input Power (CW), Max	600	560	500	300	220	Watts

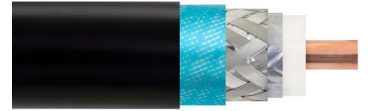
Mechanical Specifications

Diameter	0.59 in [14.99 mm]
Weight	0.137 lbs/ft [0.2 kg/m]
Min. Bend Radius (Installation)	1.5 in [38.1 mm]
Min. Bend Radius (Repeated)	6 in [152.4 mm]
Bending Moment	2.75 lbs-ft [3.73 N-m]
Tensile Strength	350 lbs [158.76 kg]
Flat Plate Crush	60 lbs/in [1.07 kg/mm]

Construction Specifications

Description	Material and Plating	Diameter
Inner Conductor	Copper Clad Aluminum, 1 Strand	0.176 in [4.47 mm]
Conductor Type	Solid	
Dielectric	PE (F)	0.455 in [11.56 mm]
First Shield	Silver Plated Copper Braid	0.465 in [11.81 mm]

Click the following link (or enter part number in "SEARCH" on website) to obtain additional part information including price, inventory and certifications: [Low PIM Flexible TCOM-600 Coax Cable Double Shielded with Black PE Jacket TCOM-600](#)



Low PIM Flexible TCOM-600 Coax Cable
Double Shielded with Black PE Jacket

RF Cables
Technical Data Sheet

Second Shield	Tinned Copper Braid	0.5 in [12.7 mm]
Jacket	PE, Black	0.59 in [14.99 mm]

Environmental Specifications

Temperature

Operating Range	-40 to +85 deg C
Installation Range	-40 to +85 deg C
Storage Range	-70 to +85 deg C

Compliance Certifications (see [product page](#) for current document)

Plotted and Other Data

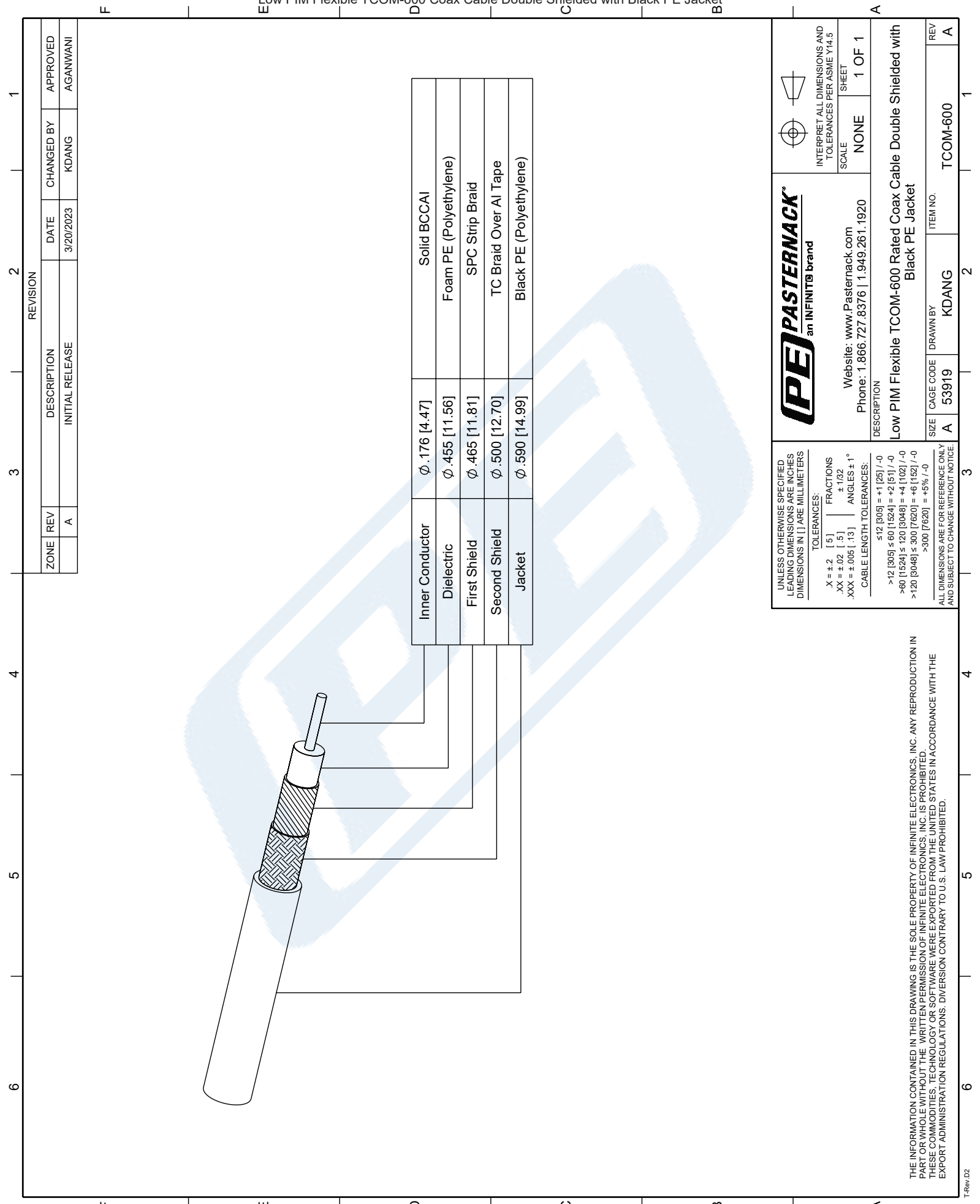
Notes:

Low PIM Flexible TCOM-600 Coax Cable Double Shielded with Black PE Jacket from Pasternack Enterprises has same day shipment for domestic and International orders. Our RF, microwave and millimeter wave products maintain a 99.4% availability and are part of the broadest selection in the industry.

Click the following link (or enter part number in "SEARCH" on website) to obtain additional part information including price, inventory and certifications: [Low PIM Flexible TCOM-600 Coax Cable Double Shielded with Black PE Jacket TCOM-600](#)

URL: <https://www.pasternack.com/low-pim-flexible-tcom600-pe-jacket-silver-plated-copper-braid-over-tinned-copper-braid-outer-conductor-double-shielded-tcom-600-p.aspx>

The information contained in this document is accurate to the best of our knowledge and representative of the part described herein. It may be necessary to make modifications to the part and/or the documentation of the part, in order to implement improvements. Pasternack reserves the right to make such changes as required. Unless otherwise stated, all specifications are nominal. Pasternack does not make any representation or warranty regarding the suitability of the part described herein for any particular purpose, and Pasternack does not assume any liability arising out of the use of any part or documentation.



Inner Conductor	Ø .176 [4.47]	Solid BCCAI
Dielectric	Ø .455 [11.56]	Foam PE (Polyethylene)
First Shield	Ø .465 [11.81]	SPC Strip Braid
Second Shield	Ø .500 [12.70]	TC Braid Over Al Tape
Jacket	Ø .590 [14.99]	Black PE (Polyethylene)

ZONE	REV	DESCRIPTION	DATE	CHANGED BY	APPROVED
	A	INITIAL RELEASE	3/20/2023	KDANG	AGANWANI

REVISION

PE PASTERNAK
an INFINITI® brand

Website: www.Pasternack.com
 Phone: 1.866.727.8376 | 1.949.261.1920

DESCRIPTION
Low PIM Flexible TCOM-600 Rated Coax Cable Double Shielded with Black PE Jacket

SCALE: NONE
 SHEET: 1 OF 1

INTERPRET ALL DIMENSIONS AND TOLERANCES PER ASME Y14.5

UNLESS OTHERWISE SPECIFIED LEADING DIMENSIONS ARE INCHES DIMENSIONS IN [] ARE MILLIMETERS

TOLERANCES:
 .X = ±.2 [.5] FRACTIONS ± 1/32
 .XX = ±.02 [.5] ANGLES ± 1°
 .XXX = ±.005 [.13]

CABLE LENGTH TOLERANCES:
 ≤12 [305] = +1 [25] / -0
 >12 [305] ≤ 60 [1524] = +2 [51] / -0
 >60 [1524] ≤ 120 [3048] = +4 [102] / -0
 >120 [3048] ≤ 300 [7620] = +6 [152] / -0
 >300 [7620] = +5% / -0

ALL DIMENSIONS ARE FOR REFERENCE ONLY AND SUBJECT TO CHANGE WITHOUT NOTICE

ITEM NO. TCOM-600

REVISION A

SIZE: A CABLE CODE: 53919 DRAWN BY: KDANG

ITEM NO. TCOM-600

REVISION A

THE INFORMATION CONTAINED IN THIS DRAWING IS THE SOLE PROPERTY OF INFINITE ELECTRONICS, INC. ANY REPRODUCTION IN PART OR WHOLE WITHOUT THE WRITTEN PERMISSION OF INFINITE ELECTRONICS, INC. IS PROHIBITED. THESE COMMODITIES, TECHNOLOGY OR SOFTWARE WERE EXPORTED FROM THE UNITED STATES IN ACCORDANCE WITH THE EXPORT ADMINISTRATION REGULATIONS. DIVERSION CONTRARY TO U.S. LAW PROHIBITED.