

## N Male Right Angle Connector Crimp/Non-Solder Contact Attachment for LMR-600, PE-C600



### EZ-600-NMH-RA-X



## Times Microwave Systems Connector Specification

### Configuration

- N Male Connector
- 50 Ohms
- Right Angle Body Geometry
- Connector Interface Types: LMR-600, PE-C600
- 20.57 mm Hex

### Features

- Max. Operating Frequency 6 GHz
- Good VSWR of 1.35:1
- Gold Plated Beryllium Copper Contact
- 1.27 $\mu$ m minimum contact plating

### Applications

- General Purpose Test
- Custom Cable Assemblies

### Description

Pasternack's EZ-600-NMH-RA-X type N Right Angle, N, Standard, Connector is part of our full line of RF components available for same-day shipping. Our type N male connector operates up to a maximum frequency of 6 GHz and offers good VSWR of 1.35:1. Its right angle body geometry allows for easier connections in tight spaces.

Our type N male right angle connector EZ-600-NMH-RA-X datasheet specifications and drawing with dimensions are shown below in this PDF. Pasternack's broad catalog of RF, microwave and millimeter wave connectors allows designers to configure and customize their signal connections however they like. Whether the need is to provide an I/O for a board design, or simply create a custom cable assembly configuration, Pasternack has the right connector for the job. Pasternack can also expertly build your custom cable assemblies for you and ship same-day.

### Electrical Specifications

Description	Minimum	Typical	Maximum	Units
Frequency Range	DC		6	GHz
VSWR			1.35:1	
Dielectric Withstanding Voltage (AC)			2,500	Vrms
Impedance		50		Ohms

### Performance by Frequency

Description	F1	F2	F3	F4	F5	Units
Frequency Range	DC to 0.15	0.15 to 0.9	0.9 to 1.5	1.5 to 2.5	2.5 to 6	GHz
Insertion Loss, Max	0.04	0.1	0.13	0.16	0.25	dB

### Mechanical Specifications

#### Size

Length	2.36 in [59.94 mm]
Width	0.81 in [20.57 mm]
Height	1.42 in [36.07 mm]
Weight	0.243 lbs [110.22 g]
Mating Torque	9 to 14 in-lbs [1.02 to 1.58 Nm]

N Male Right Angle Connector Crimp/Non-Solder Contact Attachment for LMR-600, PE-C600



**EZ-600-NMH-RA-X**

**Material Specifications**

Description	Material	Plating
Contact	Beryllium Copper	Gold 1.27µm minimum
Insulation	PTFE	
Body	Brass	Tri-Metal 2µm minimum
Coupling Nut	Brass	Tri-Metal 2µm minimum

**Environmental Specifications**

**Temperature**

Operating Range

-55 to +155 deg C

Shock

MIL-STD 202, Method 213, Condition I

Vibration

MIL-STD 202, Method 204, Condition B

**Compliance Certifications** (see [product page](#) for current document)

**Plotted and Other Data**

Notes:

N Male Right Angle Connector Crimp/Non-Solder Contact Attachment for LMR-600, PE-C600 from Pasternack Enterprises has same day shipment for domestic and International orders. Our RF, microwave and millimeter wave products maintain a 99.4% availability and are part of the broadest selection in the industry.

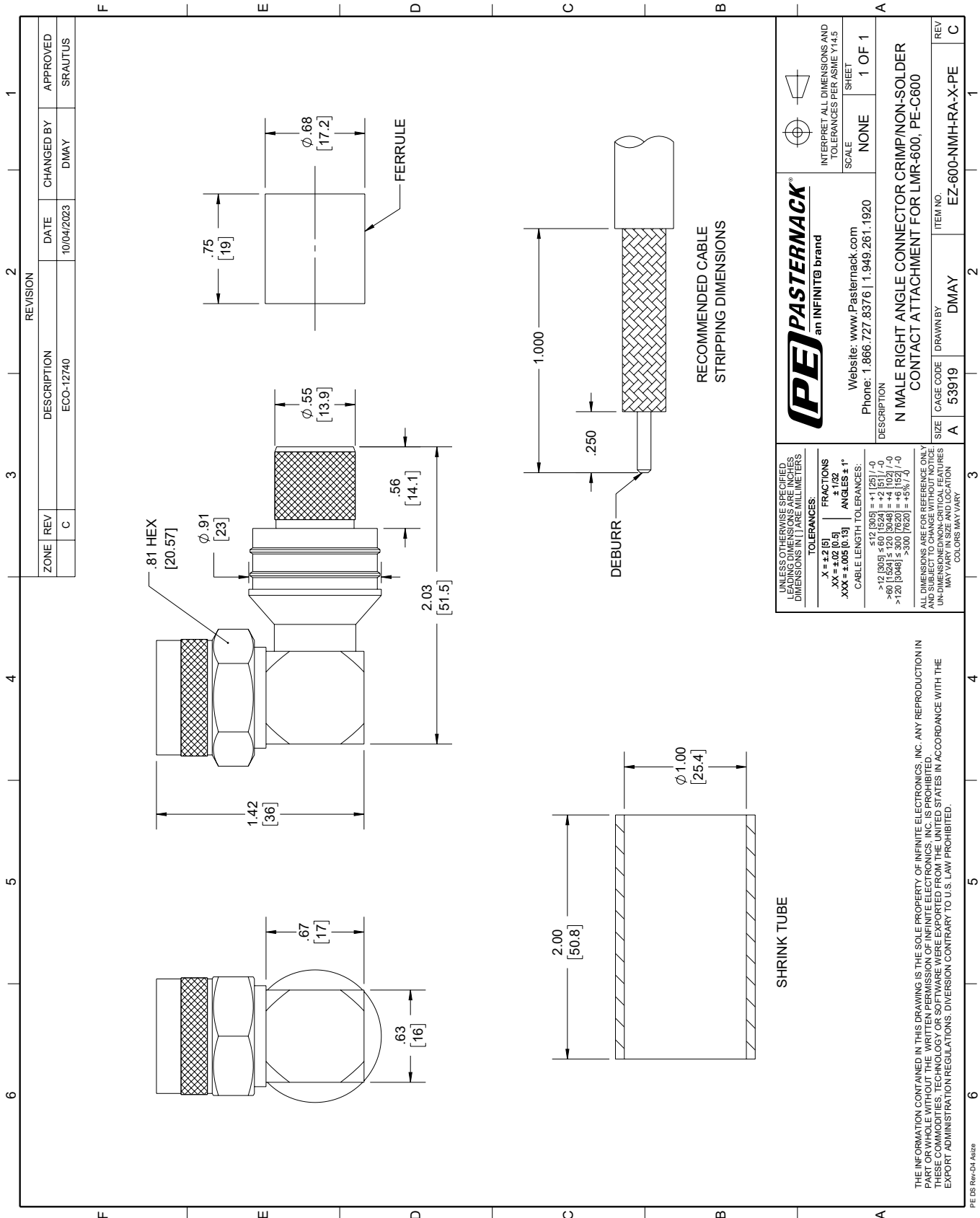
Click the following link (or enter part number in "SEARCH" on website) to obtain additional part information including price, inventory and certifications: [N Male Right Angle Connector Crimp/Non-Solder Contact Attachment for LMR-600, PE-C600 EZ-600-NMH-RA-X](#)

URL: <https://www.pasternack.com/n-male-lmr-600-pe-c600-connector-ez-600-nmh-ra-x-p.aspx>

The information contained within this document is accurate to the best of our knowledge and representative of the part described herein. It may be necessary to make modifications to the part and/or the documentation of the part in order to implement improvements. Pasternack Enterprises reserves the right to make such changes as required. Unless otherwise stated, all specifications are nominal. Pasternack Enterprises does not make any representation or warranty regarding the suitability of the part described herein for any particular purpose, and Pasternack Enterprises does not assume liability arising out of the use of any part or document.

# EZ-600-NMH-RA-X CAD Drawing

N Male Right Angle Connector Crimp/Non-Solder Contact Attachment for LMR-600, PE-C600



REVISION		DESCRIPTION	DATE	CHANGED BY	APPROVED
ZONE	REV	ECO-12740	10/04/2023	DMAY	SRAUTUS
	C				

**PE PASTERNAK**  
an INFINITE brand

Website: [www.Pasternack.com](http://www.Pasternack.com)  
Phone: 1.866.727.8376 | 1.949.261.1920

DESCRIPTION: N MALE RIGHT ANGLE CONNECTOR CRIMP/NON-SOLDER CONTACT ATTACHMENT FOR LMR-600, PE-C600

SCALE: NONE SHEET: 1 OF 1

INTERPRET ALL DIMENSIONS AND TOLERANCES PER ASME Y14.5

ITEM NO. EZ-600-NMH-RA-X-PE

CAGE CODE 53919 DRAWN BY DMAY

SIZE A

UNLESS OTHERWISE SPECIFIED, ALL DIMENSIONS ARE IN INCHES. DIMENSIONS IN [ ] ARE IN MILLIMETERS.

**TOLERANCES:**  
 X = +2 (5) FRACTIONS ± 1/32  
 .XX = ±.02 (0.5) ANGLES ± 1°  
 .XXX = ±.005 (0.13) CABLE LENGTH TOLERANCES:  
 ≤ 12 (305) ≤ .60 (1524) = ±.02 (51) / -0  
 > 12 (305) ≤ 60 (1524) = ±.02 (51) / -0  
 > 60 (1524) ≤ 120 (3048) = ±.04 (102) / -0  
 > 120 (3048) ≤ 300 (7620) = ±.06 (152) / -0  
 > 300 (7620) = ±.08 (203) / -0

ALL DIMENSIONS ARE FOR REFERENCE ONLY. DIMENSIONS ON CRITICAL FEATURES MAY VARY IN SIZE AND LOCATION. COLORS MAY VARY.

THE INFORMATION CONTAINED IN THIS DRAWING IS THE SOLE PROPERTY OF INFINITE ELECTRONICS, INC. ANY REPRODUCTION IN PART OR WHOLE WITHOUT THE WRITTEN PERMISSION OF INFINITE ELECTRONICS, INC. IS PROHIBITED. THESE COMMODITIES, TECHNOLOGY OR SOFTWARE WERE EXPORTED FROM THE UNITED STATES IN ACCORDANCE WITH THE EXPORT ADMINISTRATION REGULATIONS. DIVERSION CONTRARY TO U.S. LAW PROHIBITED.

PE DS Rev-D4 A-size



# N Male Connector Crimp/Solder Attachment for PE-C600, LMR-600, LMR-600-DB, 0.600 inch

## RF Connectors Technical Data Sheet

PE44454

### Configuration

- N Male Connector
- 50 Ohms
- Straight Body Geometry
- PE-C600, LMR-600, LMR-600-DB, 0.600 inch Interface Type
- Crimp/Solder Attachment

### Features

- Max. Operating Frequency 11 GHz
- Gold Plated Brass Contact

### Applications

- General Purpose Test
- Custom Cable Assemblies

### Description

Pasternack's PE44454 type N male connector with crimp/solder attachment for PE-C600, LMR-600, LMR-600-DB and 0.600 inch is part of our full line of RF components available for same-day shipping. Our type N male connector operates up to a maximum frequency of 11 GHz.

Our type N male connector PE44454 datasheet specifications and drawing with dimensions are shown below in this PDF. Pasternack's broad catalog of RF, microwave and millimeter wave connectors allows designers to configure and customize their signal connections however they like. Whether the need is to provide an I/O for a board design, or simply create a custom cable assembly configuration, Pasternack has the right connector for the job. Pasternack can also expertly build your custom cable assemblies for you and ship same-day.

### Electrical Specifications

Description	Minimum	Typical	Maximum	Units
Frequency Range	DC		11	GHz

### Mechanical Specifications

Size	
Length	2.04 in [51.82 mm]
Width/Dia.	0.86 in [21.84 mm]
Weight	0.165 lbs [74.84 g]

Click the following link (or enter part number in "SEARCH" on website) to obtain additional part information including price, inventory and certifications: [N Male Connector Crimp/Solder Attachment for PE-C600, LMR-600, LMR-600-DB, 0.600 inch PE44454](#)



N Male Connector Crimp/Solder Attachment for PE-C600, LMR-600, LMR-600-DB, 0.600 inch

## RF Connectors Technical Data Sheet

PE44454

### Material Specifications

Description	Material	Plating
Contact	Brass	Gold
Insulation	PTFE	
Body	Brass	Tri-Metal
Coupling Nut	Brass	Tri-Metal

### Environmental Specifications

#### Temperature

Operating Range -65 to +165 deg C

**Compliance Certifications** (see [product page](#) for current document)

### Plotted and Other Data

Notes:

N Male Connector Crimp/Solder Attachment for PE-C600, LMR-600, LMR-600-DB, 0.600 inch from Pasternack Enterprises has same day shipment for domestic and International orders. Our RF, microwave and millimeter wave products maintain a 99% availability and are part of the broadest selection in the industry.

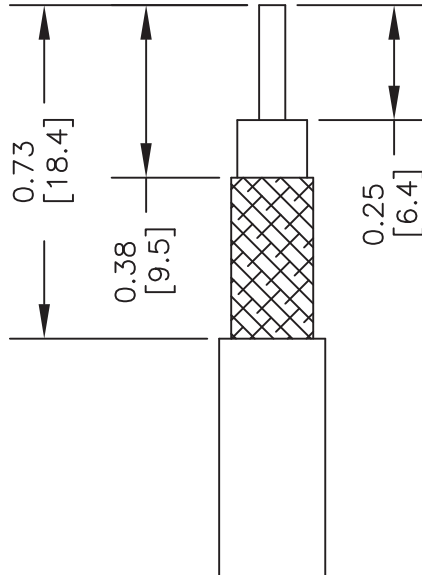
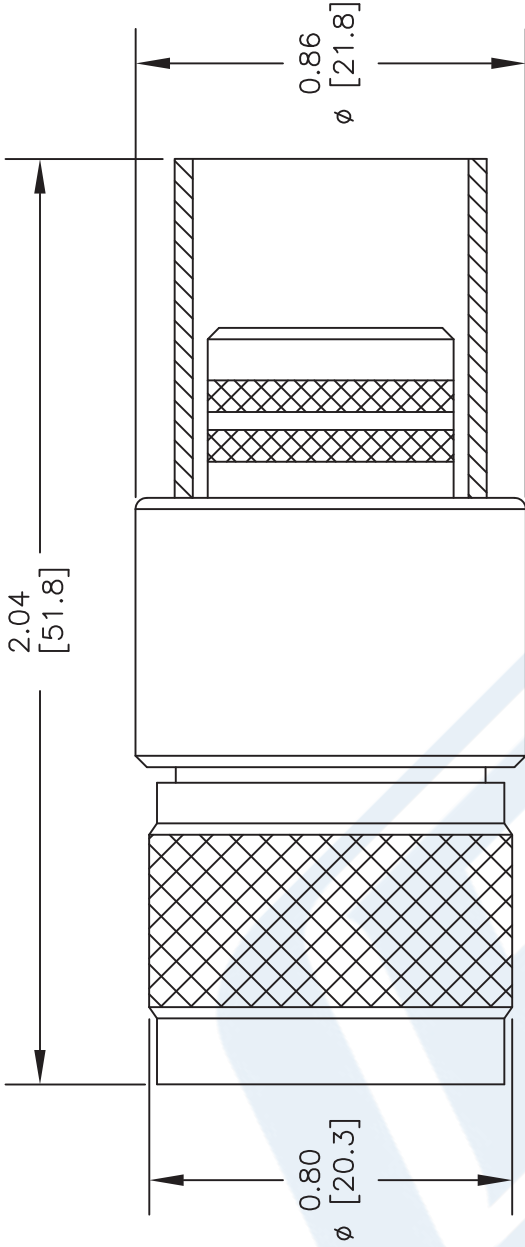
Click the following link (or enter part number in "SEARCH" on website) to obtain additional part information including price, inventory and certifications: [N Male Connector Crimp/Solder Attachment for PE-C600, LMR-600, LMR-600-DB, 0.600 inch PE44454](#)

URL: <https://www.pasternack.com/n-male-standard-pe-c600-connector-pe44454-p.aspx>

The information contained in this document is accurate to the best of our knowledge and representative of the part described herein. It may be necessary to make modifications to the part and/or the documentation of the part, in order to implement improvements. Pasternack reserves the right to make such changes as required. Unless otherwise stated, all specifications are nominal. Pasternack does not make any representation or warranty regarding the suitability of the part described herein for any particular purpose, and Pasternack does not assume any liability arising out of the use of any part or documentation.

# PE44454 CAD Drawing

N Male Connector Crimp/Solder Attachment for PE-C600, LMR-600, LMR-600-DB, 0.600 inch



## STRIPPING DIMENSIONS

### CRIMP SIZE REQUIRED

CONTACT: SOLDER  
 FERRULE: .610 HEX CRIMP TOOL



Pasternack Enterprises, Inc.  
 P.O. Box 16759 | Irvine | CA | 92623  
 Phone: (949) 261-1920 | Fax: (949) 261-7451  
 Website: [www.pasternack.com](http://www.pasternack.com) | E-Mail: [sales@pasternack.com](mailto:sales@pasternack.com)

DWG TITLE

**PE44454**

NOTES:  
 1. UNLESS OTHERWISE SPECIFIED ALL DIMENSIONS ARE NOMINAL.  
 2. ALL SPECIFICATIONS ARE SUBJECT TO CHANGE WITHOUT NOTICE AT ANY TIME.  
 3. DIMENSIONS ARE IN INCHES [mm].  
 4. FITS MIL-C-17 AND EQUIVALENT CABLES.

FSCM NO. 53919

CAD FILE 061810

SCALE N/A

SIZE A

2233

# LMR®-600 Flexible Low Loss Communications Coax

## Ideal for...

- Jumper Assemblies in Wireless Communications Systems
- Short Antenna Feeder runs
- Any application (e.g. WLL, GPS, LMR, WLAN, WISP, WiMax, SCADA, Mobile Antennas) requiring an easily routed, low loss RF cable



• **LMR®** standard is a UV Resistant Polyethylene jacketed cable designed for 20-year service outdoor use. The bending and handling characteristics are significantly better than air-dielectric and corrugated hard-line cables.

• **LMR®-DB** is identical to standard LMR plus has the advantage of being watertight. The addition of waterproofing compound in and around the foil/braid insures continuous reliable service should the jacket be inadvertently damaged during installation or in the future.

• **LMR®-FR** is a non-halogen (non-toxic), low smoke, fire retardant cable designed for in-building runs that can be routed anywhere except air handling plenums. LMR-FR is UL/NEC & CSA rated 'CMR' and 'FT4' respectively, meets FAA FAR25 requirements and is MSHA-P for mining applications.

• **LMR®-FR-PVC** is a general-purpose indoor cable and has a UL/NEC & CSA rating of 'CMR' and 'FT4' respectively. It is less expensive than LMR-FR, however it emits toxic fumes (HCL) and greater smoke density when burned.

• **LMR®-PVC** is designed for low loss general-purpose applications and is somewhat more flexible than the standard polyethylene jacketed LMR.

• **LMR®-PVC-W** is a white-jacketed version of LMR-PVC for marine and other applications where color compatibility is desired.

• **Flexibility** and bendability are hallmarks of the LMR-600 cable design. The flexible outer conductor enables the tightest bend radius available for any cable of similar size and performance.

• **Low Loss** is another hallmark feature of LMR-600.

Size for size LMR has the lowest loss of any flexible cable and comparable loss to semirigid hard-line cables.

• **RF Shielding** is 50 dB greater than typical single shielded coax (40 dB). The multi-ply bonded foil outer conductor is rated conservatively at > 90 dB (i.e. >180 dB between two adjacent cables).

• **Weatherability:** LMR-600 cables designed for outdoor exposure incorporate the best materials for UV resistance and have life expectancy in excess of 20 years.

• **Connectors:** A wide variety of connectors are available for LMR-600 cable, including all common interface types, reverse polarity, and a choice of solder or non-solder center pins. Most LMR connectors employ crimp outer attachment using standard hex crimp sizes.

• **Cable Assemblies:** All LMR-600 cable types are available as pre-terminated cable assemblies. Refer to the section on FlexTech for further details.

Part Description				Stock	
Part Number	Application	Jacket Color	Code		
LMR-600	Outdoor	PE	Black	54003	
LMR-600-DB	Outdoor/Watertight	PE	Black	54093	
LMR-600-FR	Indoor/Outdoor Riser	CMR	FRPE	Black	54032
LMR-600-FR-PVC	Indoor/Outdoor Riser	CMR	FRPVC	Black	54074
LMR-600-PVC	General Purpose	PVC	Black	54219	
LMR-600-PVC-W	General Purpose	PVC	White	54206	

Construction Specifications			
Description	Material	In.	(mm)
Inner Conductor	Solid BCCAI	0.176	(4.47)
Dielectric	Foam PE	0.455	(11.56)
Outer Conductor	Aluminum Tape	0.461	(11.71)
Overall Braid	Tinned Copper	0.490	(12.45)
Jacket	(see table above)	0.590	(14.99)

Mechanical Specifications			
Performance Property	Units	US	(metric)
Bend Radius: installation	in. (mm)	1.50	(38.1)
Bend Radius: repeated	in. (mm)	6.0	(152.4)
Bending Moment	ft-lb (N-m)	2.75	(3.73)
Weight	lb/ft (kg/m)	0.131	(0.20)
Tensile Strength	lb (kg)	350	(158.9)
Flat Plate Crush	lb/in. (kg/mm)	60	(1.07)

Environmental Specifications		
Performance Property	°F	°C
Installation Temperature Range	-40/+185	-40/+85
Storage Temperature Range	-94/+185	-70/+85
Operating Temperature Range	-40/+185	-40/+85

Electrical Specifications			
Performance Property	Units	US	(metric)
Velocity of Propagation	%	87	
Dielectric Constant	NA	1.32	
Time Delay	nS/ft (nS/m)	1.17	(3.83)
Impedance	ohms	50	
Capacitance	pF/ft (pF/m)	23.4	(76.6)
Inductance	uH/ft (uH/m)	0.058	(0.19)
Shielding Effectiveness	dB	>90	
DC Resistance			
Inner Conductor	ohms/1000ft (/km)	0.53	(1.7)
Outer Conductor	ohms/1000ft (/km)	1.2	(3.9)
Voltage Withstand	Volts DC	4000	
Jacket Spark	Volts RMS	8000	
Peak Power	kW	40	

**Attenuation vs. Frequency (typical)**



Frequency (MHz)	30	50	150	220	450	900	1500	1800	2000	2500	5800
<b>Attenuation dB/100 ft</b>	0.4	0.5	1.0	1.2	1.7	2.5	3.3	3.7	3.9	4.4	7.3
<b>Attenuation dB/100 m</b>	1.4	1.8	3.2	3.9	5.6	8.2	10.9	12.1	12.8	14.5	23.8
<b>Avg. Power kW</b>	5.51	4.24	2.41	1.97	1.35	0.93	0.70	0.63	0.59	0.52	0.32

**Calculate Attenuation =**  
 $(0.075550) \cdot \sqrt{\text{FMHz}} + (0.000260) \cdot \text{FMHz}$  (interactive calculator available at [http://www.timesmicrowave.com/cable\\_calculators](http://www.timesmicrowave.com/cable_calculators))

**Attenuation:**  
 VSWR=1.0; Ambient = +25°C (77°F)

**Power:**  
 VSWR=1.0; Ambient = +40°C; Inner Conductor = 100°C (212°F); Sea Level; dry air; atmospheric pressure; no solar loading

# LMR<sup>®</sup>-600 Flexible Low Loss Communications Coax



## Connectors

Interface	Description	Part Number	Stock Code	VSWR**	Freq. (GHz)	Inner Coupling Nut	Outer Contact Attach	Finish* Attach	Body /Pin	Length in (mm)	Width in (mm)	Weight	
												in (mm)	lb
7/8 EIA	Flange	EZ-600-78EIA	3190-1373	<1.25:1	(2.5)	NA	Spring Finger Clamp	S/S	S/S	2.3 (58)	2.60 (66.0)	0.873 (396.0)	
7-16 DIN Female	Straight Jack	TC-600-716FC	3190-375	<1.25:1	(2.5)	NA	Solder Clamp	S/S	S/S	1.1 (28)	1.00 (25.4)	0.249 (112.9)	
7-16 DIN Male	Straight Plug	EZ-600-716MH	3190-503	<1.25:1	(2.5)	Hex	Spring Finger Crimp	S/S	S/S	2.0 (51)	1.30 (33.0)	0.254 (115.2)	
	Straight Plug	TC-600-716MC	3190-502	<1.25:1	(2.5)	Hex	Solder Clamp	S/S	S/S	2.0 (51)	1.30 (33.0)	0.347 (157.4)	
	Right Angle	TC-600-716M-RA	3190-395	<1.35:1	(2.5)	Hex	Solder Crimp	S/S	S/S	1.4 (36)	1.40 (35.6)	0.354 (160.8)	
7/16 Male	Right Angle	EZ-600-716M-RA-X	3190-2546	<1.35:1	(6)	Hex	Spring Finger Crimp	A/G	A/G	1.6 (40)	1.38 (35.0)	0.462 (210.0)	
	Straight Jack	EZ-600-716F	3190-2447	<1.25:1	(6)	Hex	Spring Finger Crimp	A/G	A/G	1.8 (45)	1.32 (33.6)	0.158 (71.7)	
HN Male	Straight Plug	TC-600-HNM	3190-1429	<1.25:1	(<1)	Knurl	Solder Clamp	S/g	S/g	2.3 (59.2)	0.88 (22.4)	0.25 (113)	
LC Male	Straight Plug	TC-600-LCM	3190-1406	<1.25:1	(<1)	Hex	Solder Clamp	N/S	N/S	3.1 (78.0)	1.62 (41.1)	1.20 (544)	
N Female	Straight Jack	EZ-600-NF	3190-955	<1.25:1	(2.5)	NA	Spring Finger Crimp	S/G	S/G	2.3 (59)	0.87 (22.1)	0.150 (68.0)	
	Bulkhead Jack	EZ-600-NF-BH	3190-616	<1.25:1	(2.5)	NA	Spring Finger Crimp	S/G	S/G	2.4 (61)	0.88 (22.4)	0.195 (88.5)	
	Bulkhead Jack	TC-600-NF-BH	3190-589	<1.25:1	(2.5)	NA	Solder Crimp	S/G	S/G	2.4 (61)	0.88 (22.4)	0.195 (88.5)	
	Bulkhead Jack	TC-600-NFC-BH	3190-466	<1.25:1	(2.5)	NA	Solder Clamp	S/G	S/G	2.2 (56)	0.94 (23.9)	0.214 (97.1)	
N Male	Straight Plug	EZ-600-NMK	3190-669	<1.25:1	(2.5)	Knurl	Spring Finger Crimp	S/G	S/G	2.1 (53)	0.92 (23.4)	0.164 (74.4)	
	Straight Plug	EZ-600-NMC-2-D	3190-2641	<1.25:1	(6)	Hex/Knurl	Spring Finger Clamp	A/G	A/G	2.1 (53)	0.92 (23.4)	0.202 (91.6)	
	Straight Plug	TC-600-NMC	3190-357	<1.25:1	(2.5)	Hex	Solder Clamp	S/G	S/G	2.1 (53)	0.92 (23.4)	0.208 (93.4)	
	Right Angle	TC-600-NMC-RA	3190-233	<1.35:1	(2)	Hex	Solder Clamp	S?G	S?G	2.2 (56.6)	1.29 (32.8)	0.270 (122.6)	
	Straight Plug	EZ-600-NMH-X	3190-2627	<1.25:1	(8)	Hex/Knurl	Spring Finger Crimp	A/G	A/G	2.1 (53)	0.92 (23.4)	0.164 (74.4)	
	Straight Plug	TC-600-NMH-X	3190-2628	<1.25:1	(8)	Hex/Knurl	Spring Finger Crimp	A/G	A/G	2.1 (53)	0.92 (23.4)	0.166 (75.3)	
	Right Angle	EZ-600-NMH-RA-X	3190-2639	<1.35:1	(6)	Hex	Spring Finger Crimp	A/G	A/G	2.0 (50)	1.42 (36.0)	0.224 (101.7)	
	Right Angle	TC-600-NMH-RA-D	3190-2427	<1.35:1	(6)	Hex	Solder Crimp	A/G	A/G	1.8 (46.5)	1.62 (41.2)	0.185 (84.3)	
	Straight Plug	TC-600-NMH-75-50	3190-1610	<1.35:1	(6)	Hex	Solder Crimp	N/G	N/G	2.1 (52.8)	0.91 (23.1)	0.130 (59.0)	
QDS Male	Straight Plug	TC-600-QDSM	3190-825	<1.25:1	(<1)	Knurl	Solder Clamp	A/G	A/G	2.2 (55.6)	1.00 (25.4)	0.25 (113)	
	Right Angle	TC-600-QDSM-RA	3190-847	<1.25:1	(<1)	Knurl	Solder Clamp	A/G	A/G	2.4 (61.5)	1.88 (47.8)	0.35 (159)	
TNC Male	Straight Plug	TC-600-TM-X	3190-2530	<1.25:1	(6)	Hex/Knurl	Solder Crimp	A/G	A/G	2.3 (57.6)	0.75 (19.0)	0.100 (45.6)	
	Straight Plug	EZ-600-TM-X	3190-2531	<1.25:1	(6)	Hex/Knurl	Spring Finger Crimp	A/G	A/G	2.3 (57.6)	0.75 (19.0)	0.100 (45.6)	
	Reverse Polarity	EZ-600-TM-RP	3190-796	<1.25:1	(2.5)	Knurl	Spring Finger Crimp	A/G	A/G	2.2 (56)	0.87 (22.0)	0.112 (50.8)	
TNC Female	Reverse Polarity	EZ-600-TF-RP	3190-797	<1.25:1	(2.5)	NA	Spring Finger Crimp	A/G	A/G	2.3 (58)	0.87 (22.0)	0.100 (45.4)	
UHF Male	Straight Plug	EZ-600-UM	3190-615	<1.25:1	(2.5)	Knurl	Spring Finger Crimp	S/G	S/G	1.7 (43)	0.88 (22.4)	0.164 (74.4)	
	STRAIGHT PLUG	TC-600-UMC	3190-213	<1.25:1	(2.5)	KNURL	SOLDER CLAMP	S/G	S/G	1.7 (43)	0.88 (22.4)	0.198 (89.8)	



**Install Tools**

Type	Part Number	Stock Code	Description
Crimp Tool	HX-4	3190-200	Crimp Handle
Crimp Dies	Y1720	3190-203	.610" Hex Dies
Crimp Rings	CR-600	3190-831	Crimp Rings for TC/EZ-600 connectors (pkg of 10)
Strip Tool	CST-600	3192-052	Combination prep tool for LMR-600 crimp and clamp style connectors
Replacement Blades	RB-456	3190-421	Replacement Blades for Strip Tools
Deburr Tool	DBT-U	3192-001	Removes center conductor rough edges
Midspan Strip Tool	GST-600A	3190-1051	For ground strap attachment
Wrench	WR-600	3190-1435	15/16" Box Wrench (2 required for EZ-600-NMC-2)
Cutting Tool	CCT-01	3190-1544	Cable end flush cut tool
Replacement Blade	RB-01	3190-1609	Replacement blade for cutting tool
Replacement Blade	RB-CST	3192-086	Replacement blade kit for all CST strip tools
Tool Kit	TK-600EZ	3190-1602	Tool kit for LMR crimp/clamp connectors (includes CCT-01, CST-600, HX-4, Y1720, Tool Pouch)



**Hardware Accessories**

Type	Part Number	Stock Code	Description
Ground Kit	GK-S600TT	GK-S600TT	Standard Grounding Kit (each)
Hoisting Grip	HG-600T	HG-600T	Split/Laced Type (each)
Cold Shrink	CS-A600T	CS-A600T	Cable to Antenna Junction (each)
Cold Shrink	CS-60120T	CS-60120T	LMR-600 to -1200 Junction (each)
Cold Shrink	CS-60170T	CS-60170T	LMR-600 to -1700 Junction (each)
Hanger Blocks	CB-600T	CB-600T	Dual Cable Support Block (kit of 10)
Standard Entry			
Port Cushion	SC-600T-3	SC-600T-3	Three cables (each)
Snap-In Hangers	SH-U600T	SH-U600T	Snap-In Hangers (Kit of 10)
Hanger Block Supporting Hardware			Complete Range of Supporting Hardware & Adapters Available