



## 4.3-10 Female Low PIM Connector Solder Attachment for SPP-250-LLPL, SPF-250, SPO-250, 1/4" Superflexible, PE-1/4SFHC

### RF Connectors Technical Data Sheet



**TC-250-4310F-LP**

#### Times Microwave Systems Connector Specification

##### Configuration

- 4.3-10 Female Connector
- 50 Ohms
- Straight Body Geometry
- Connector Interface Types: SPP-250-LLPL, SPF-250, SPO-250, 1/4" Superflexible, PE-1/4SFHC
- Low PIM Design

##### Features

- Max. Operating Frequency 6 GHz
- Good VSWR of 1.35:1
- PIM levels lower than -160 dBc
- Silver Plated Phosphor Bronze Contact
- 200 µin contact plating

##### Applications

- General Purpose Test
- Custom Cable Assemblies
- Distributed Antenna Systems (DAS)
- Wireless Communications
- Low PIM Applications

##### Description

Times Microwave's TC-250-4310F-LP 4.3-10 female connector offered by Pasternack with solder/solder attachment for Times' SPP-250-LLPL, SPF-250, SPO-250, 1/4" Superflexible and PE-1/4SFHC is part of our full line of RF components available for same-day shipping. Times Microwave's 4.3-10 female connector operates up to a maximum frequency of 6 GHz and offers good VSWR of 1.35:1. The Times 4.3-10 female connector also has low passive intermodulation of -160 dBc.

Times Microwave's 4.3-10 female connector TC-250-4310F-LP datasheet specifications and drawing with dimensions are shown below in this PDF. Pasternack's broad catalog of RF, microwave and millimeter wave connectors allows designers to configure and customize their signal connections however they like. Whether the need is to provide an I/O for a board design, or simply create a custom cable assembly configuration, Pasternack has the right connector for the job. Pasternack can also expertly build your custom cable assemblies for you and ship same-day.

##### Electrical Specifications

Description	Minimum	Typical	Maximum	Units
Frequency Range	DC		6	GHz
VSWR			1.35:1	
Insertion Loss			0.25	dB
Passive Intermodulation			-160	dBc
Dielectric Withstanding Voltage (DC)			2,500	Vdc
Insulation Resistance	5,000			MOhms

Click the following link (or enter part number in "SEARCH" on website) to obtain additional part information including price, inventory and certifications: [4.3-10 Female Low PIM Connector Solder Attachment for SPP-250-LLPL, SPF-250, SPO-250, 1/4" Superflexible, PE-1/4SFHC TC-250-4310F-LP](#)



## 4.3-10 Female Low PIM Connector Solder Attachment for SPP-250-LLPL, SPF-250, SPO-250, 1/4" Superflexible, PE-1/4SFHC

### RF Connectors Technical Data Sheet



**TC-250-4310F-LP**

#### Performance by Frequency

Description	F1	F2	F3	F4	F5	Units
Frequency Range	DC to 3	3 to 6				GHz
VSWR, Max	1.25:1	1.35:1				

Electrical Specification Notes:  
Insertion Loss is  $-0.1 \cdot \sqrt{FGHz}$

#### Mechanical Specifications

##### Size

Length	1.28 in [32.51 mm]
Width/Dia.	0.73 in [18.54 mm]
Height	0.73 in [18.54 mm]
Weight	0.119 lbs [53.98 g]
Mating Cycles	500 Cycles
Cable Retention Force	22.48 lbs 10.2 kg

#### Material Specifications

Description	Material	Plating
Contact	Phosphor Bronze	Silver 200 $\mu$ in
Insulation	PTFE	
Body	Brass	Tri-Metal 80 $\mu$ in

#### Environmental Specifications

##### Temperature

Operating Range	-55 to +85 deg C
Shock	MIL-STD 202G, Method 213, Condition I
Vibration	MIL-STD 202G, Method 204, Condition B
Thermal Shock	MIL-STD 202G, Method 107, Condition B

Environmental Specification Notes:  
IEC 60068 55/155/56

Click the following link (or enter part number in "SEARCH" on website) to obtain additional part information including price, inventory and certifications: [4.3-10 Female Low PIM Connector Solder Attachment for SPP-250-LLPL, SPF-250, SPO-250, 1/4" Superflexible, PE-1/4SFHC TC-250-4310F-LP](#)



## 4.3-10 Female Low PIM Connector Solder Attachment for SPP-250-LLPL, SPF-250, SPO-250, 1/4" Superflexible, PE-1/4SFHC

### RF Connectors Technical Data Sheet



**TC-250-4310F-LP**

**Compliance Certifications** (see [product page](#) for current document)

#### Plotted and Other Data

Notes:

4.3-10 Female Low PIM Connector Solder Attachment for SPP-250-LLPL, SPF-250, SPO-250, 1/4" Superflexible, PE-1/4SFHC from Pasternack Enterprises has same day shipment for domestic and International orders. Our RF, microwave and millimeter wave products maintain a 99.4% availability and are part of the broadest selection in the industry.

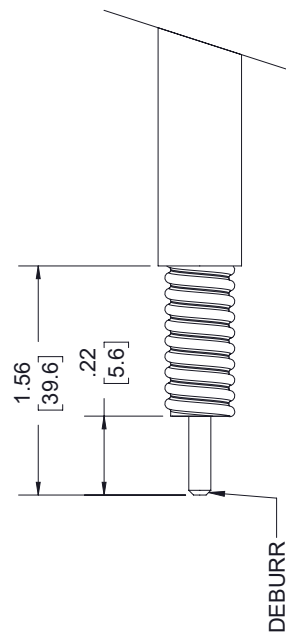
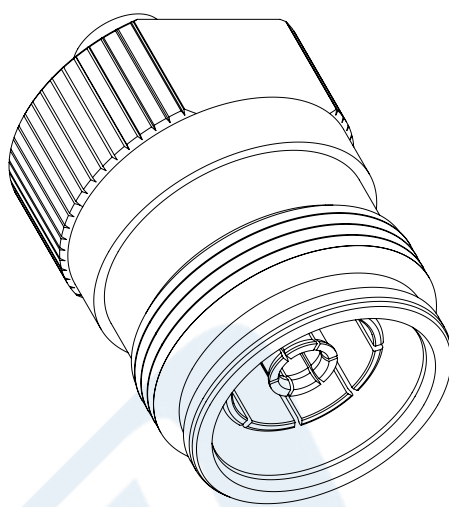
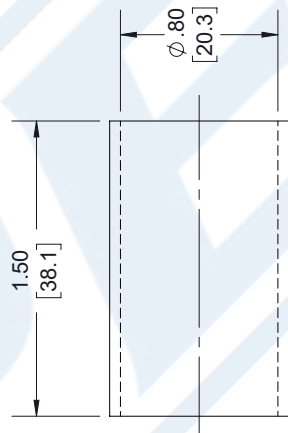
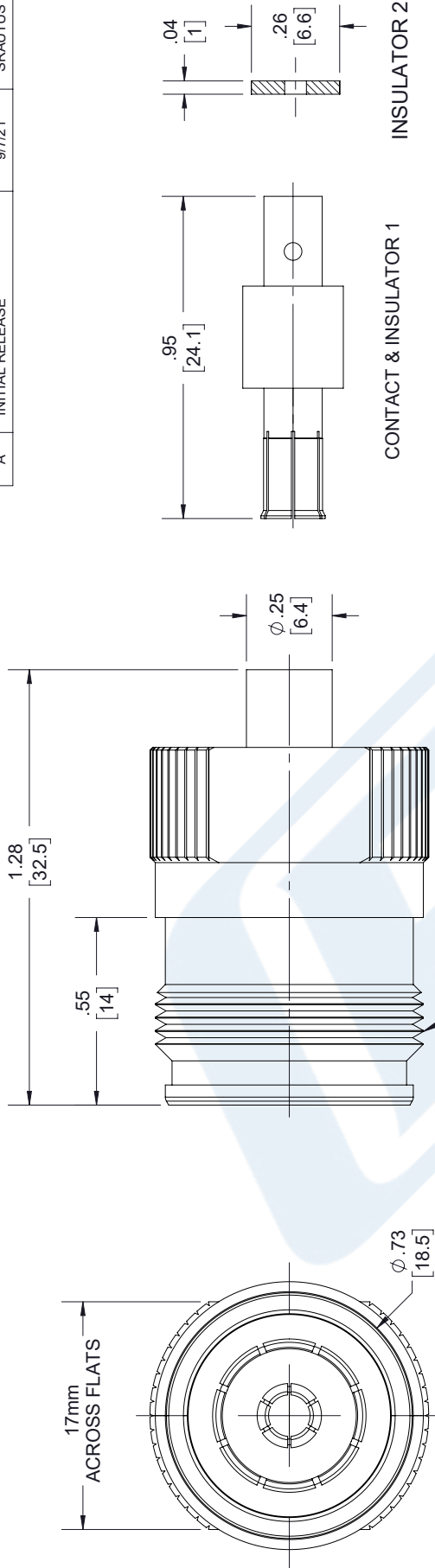
Click the following link (or enter part number in "SEARCH" on website) to obtain additional part information including price, inventory and certifications: [4.3-10 Female Low PIM Connector Solder Attachment for SPP-250-LLPL, SPF-250, SPO-250, 1/4" Superflexible, PE-1/4SFHC TC-250-4310F-LP](#)

URL: <https://www.pasternack.com/4.3-10-female-spp-250-llpl-spf-250-connector-tc-250-4310f-lp-p.aspx>

The information contained in this document is accurate to the best of our knowledge and representative of the part described herein. It may be necessary to make modifications to the part and/or the documentation of the part, in order to implement improvements. Pasternack reserves the right to make such changes as required. Unless otherwise stated, all specifications are nominal. Pasternack does not make any representation or warranty regarding the suitability of the part described herein for any particular purpose, and Pasternack does not assume any liability arising out of the use of any part or documentation.

**TIMES** MICROWAVE SYSTEMS **TC-250-4310F-LP CAD Drawing**  
 4.3-10 Female Low PIM Connector Solder Attachment for SPP-250-LLPL, SPF-250, SPO-250, 1/4" Superflexible, PE-1/4SFHC

REVISIONS			
REV.	DESCRIPTION	DATE	APPROVED
A	INITIAL RELEASE	9/7/21	SRAUTUS



**STRIPPING DIMENSIONS**

- NOTES:
- CABLE ATTACHMENT:
    - OUTER: SOLDER.
    - INNER: SOLDER.

UNLESS OTHERWISE SPECIFIED LEADING DIMENSIONS ARE INCHES DIMENSIONS IN [ ] ARE MILLIMETERS

TOLERANCES:

X±.2	[5.08]	FRACTIONS
.XX±.01	[.25]	±.132
.XXX±.005	[.13]	ANGLES ± 1°

ALL DIMENSIONS SHOWN ARE FOR REFERENCE ONLY.

THIRD-ANGLE PROJECTION

**PE PASTERNAK**  
 an INFINITO brand

Pasternack Enterprises, Inc.  
 P.O. Box 16759, Irvine, CA 92623.  
 Phone: 1,949,261,1920 | 1,866,727,8376  
 Fax: 1,949,261,7451  
 www.pasternack.com | e-mail: sales@pasternack.com

CAGE DRAWN BY PART NUMBER  
 A 53919 DMAY TC-250-4310F-LP

THE INFORMATION AND DESIGN IN THIS DOCUMENT IS THE PROPERTY OF PASTERNAK CORPORATION. ALL RIGHTS RESERVED.

SHEET 1 OF 1  
 SCALE N/A

REV A



## 4.3-10 Female Low PIM Connector Solder Attachment for SPP-250-LLPL, SPF-250, SPO-250, 1/4" Superflexible, PE-1/4SFHC

### RF Connectors Technical Data Sheet



**TC-250-4310F-LP**

#### Times Microwave Systems Connector Specification

##### Configuration

- 4.3-10 Female Connector
- 50 Ohms
- Straight Body Geometry
- Connector Interface Types: SPP-250-LLPL, SPF-250, SPO-250, 1/4" Superflexible, PE-1/4SFHC
- Low PIM Design

##### Features

- Max. Operating Frequency 6 GHz
- Good VSWR of 1.35:1
- PIM levels lower than -160 dBc
- Silver Plated Phosphor Bronze Contact
- 200 µin contact plating

##### Applications

- General Purpose Test
- Custom Cable Assemblies
- Distributed Antenna Systems (DAS)
- Wireless Communications
- Low PIM Applications

##### Description

Times Microwave's TC-250-4310F-LP 4.3-10 female connector offered by Pasternack with solder/solder attachment for Times' SPP-250-LLPL, SPF-250, SPO-250, 1/4" Superflexible and PE-1/4SFHC is part of our full line of RF components available for same-day shipping. Times Microwave's 4.3-10 female connector operates up to a maximum frequency of 6 GHz and offers good VSWR of 1.35:1. The Times 4.3-10 female connector also has low passive intermodulation of -160 dBc.

Times Microwave's 4.3-10 female connector TC-250-4310F-LP datasheet specifications and drawing with dimensions are shown below in this PDF. Pasternack's broad catalog of RF, microwave and millimeter wave connectors allows designers to configure and customize their signal connections however they like. Whether the need is to provide an I/O for a board design, or simply create a custom cable assembly configuration, Pasternack has the right connector for the job. Pasternack can also expertly build your custom cable assemblies for you and ship same-day.

##### Electrical Specifications

Description	Minimum	Typical	Maximum	Units
Frequency Range	DC		6	GHz
VSWR			1.35:1	
Insertion Loss			0.25	dB
Passive Intermodulation			-160	dBc
Dielectric Withstanding Voltage (DC)			2,500	Vdc
Insulation Resistance	5,000			MOhms

Click the following link (or enter part number in "SEARCH" on website) to obtain additional part information including price, inventory and certifications: [4.3-10 Female Low PIM Connector Solder Attachment for SPP-250-LLPL, SPF-250, SPO-250, 1/4" Superflexible, PE-1/4SFHC TC-250-4310F-LP](#)



4.3-10 Female Low PIM Connector Solder Attachment for SPP-250-LLPL, SPF-250, SPO-250, 1/4" Superflexible, PE-1/4SFHC

**RF Connectors**  
**Technical Data Sheet**



**TC-250-4310F-LP**

**Performance by Frequency**

Description	F1	F2	F3	F4	F5	Units
Frequency Range	DC to 3	3 to 6				GHz
VSWR, Max	1.25:1	1.35:1				

Electrical Specification Notes:  
Insertion Loss is  $-0.1 \cdot \sqrt{FGHz}$

**Mechanical Specifications**

**Size**

Length	1.28 in [32.51 mm]
Width/Dia.	0.73 in [18.54 mm]
Height	0.73 in [18.54 mm]
Weight	0.119 lbs [53.98 g]
Mating Cycles	500 Cycles
Cable Retention Force	22.48 lbs 10.2 kg

**Material Specifications**

Description	Material	Plating
Contact	Phosphor Bronze	Silver 200 µin
Insulation	PTFE	
Body	Brass	Tri-Metal 80 µin

**Environmental Specifications**

**Temperature**

Operating Range	-55 to +85 deg C
Shock	MIL-STD 202G, Method 213, Condition I
Vibration	MIL-STD 202G, Method 204, Condition B
Thermal Shock	MIL-STD 202G, Method 107, Condition B

Environmental Specification Notes:  
IEC 60068 55/155/56

Click the following link (or enter part number in "SEARCH" on website) to obtain additional part information including price, inventory and certifications: [4.3-10 Female Low PIM Connector Solder Attachment for SPP-250-LLPL, SPF-250, SPO-250, 1/4" Superflexible, PE-1/4SFHC TC-250-4310F-LP](#)



## 4.3-10 Female Low PIM Connector Solder Attachment for SPP-250-LLPL, SPF-250, SPO-250, 1/4" Superflexible, PE-1/4SFHC

### RF Connectors Technical Data Sheet



**TC-250-4310F-LP**

**Compliance Certifications** (see [product page](#) for current document)

#### Plotted and Other Data

Notes:

4.3-10 Female Low PIM Connector Solder Attachment for SPP-250-LLPL, SPF-250, SPO-250, 1/4" Superflexible, PE-1/4SFHC from Pasternack Enterprises has same day shipment for domestic and International orders. Our RF, microwave and millimeter wave products maintain a 99.4% availability and are part of the broadest selection in the industry.

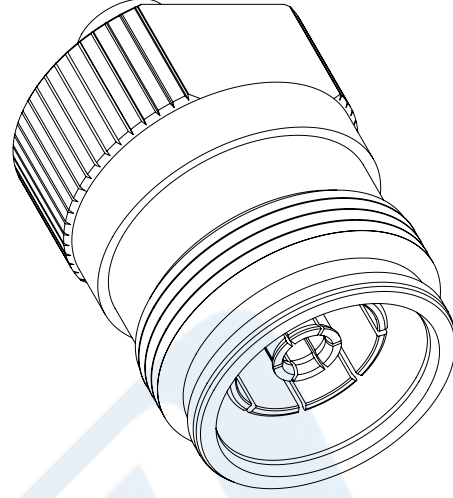
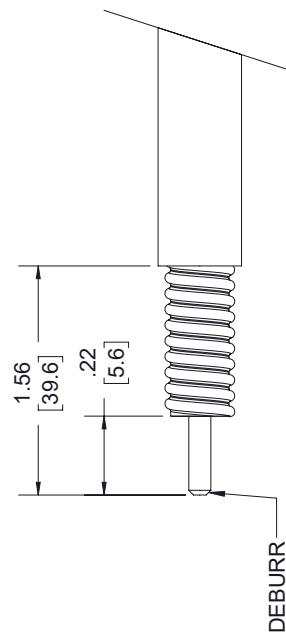
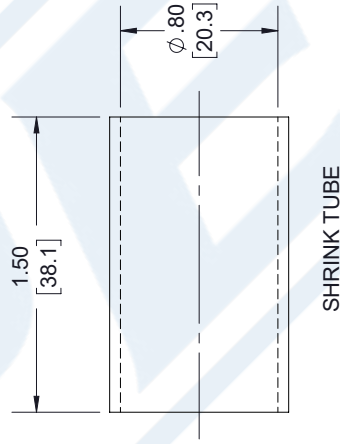
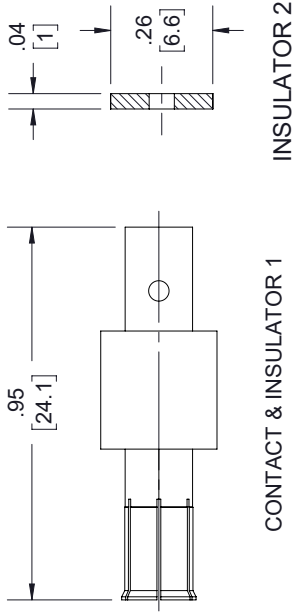
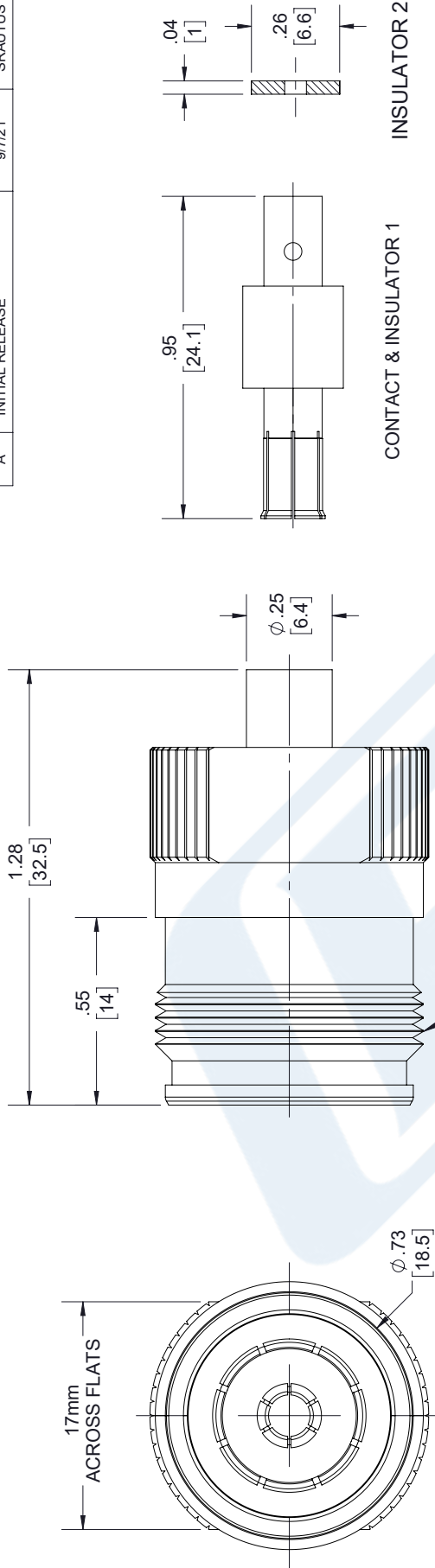
Click the following link (or enter part number in "SEARCH" on website) to obtain additional part information including price, inventory and certifications: [4.3-10 Female Low PIM Connector Solder Attachment for SPP-250-LLPL, SPF-250, SPO-250, 1/4" Superflexible, PE-1/4SFHC TC-250-4310F-LP](#)

URL: <https://www.pasternack.com/4.3-10-female-spp-250-llpl-spf-250-connector-tc-250-4310f-lp-p.aspx>

The information contained in this document is accurate to the best of our knowledge and representative of the part described herein. It may be necessary to make modifications to the part and/or the documentation of the part, in order to implement improvements. Pasternack reserves the right to make such changes as required. Unless otherwise stated, all specifications are nominal. Pasternack does not make any representation or warranty regarding the suitability of the part described herein for any particular purpose, and Pasternack does not assume any liability arising out of the use of any part or documentation.

**TIMES** MICROWAVE SYSTEMS **TC-250-4310F-LP CAD Drawing**  
 4.3-10 Female Low PIM Connector Solder Attachment for SPP-250-LLPL, SPF-250, SPO-250, 1/4" Superflexible, PE-1/4SFHC

REVISIONS			
REV.	DESCRIPTION	DATE	APPROVED
A	INITIAL RELEASE	9/7/21	SRAUTUS



<p>UNLESS OTHERWISE SPECIFIED LEADING DIMENSIONS ARE INCHES DIMENSIONS IN [ ] ARE MILLIMETERS</p> <p>TOLERANCES:</p> <p>X±.2 [5.08] FRACTIONS                  .XX±.01 [25] ±132                  .XXX±.005 [13] ANGLES ± 1°</p> <p>ALL DIMENSIONS SHOWN ARE FOR REFERENCE ONLY.</p> <p>THIRD-ANGLE PROJECTION</p>	<p>THE INFORMATION AND DESIGN IN THIS DOCUMENT IS THE PROPERTY OF PASTERNAK CORPORATION. ALL RIGHTS RESERVED.</p> <p>SHEET 1 OF 1</p> <p>SCALE N/A</p>
<p>SIZE A</p> <p>CAGE CODE 53919</p> <p>DRAWN BY DMAY</p> <p>PART NUMBER TC-250-4310F-LP</p> <p>REV A</p>	

**STRIPPING DIMENSIONS**

NOTES:

- CABLE ATTACHMENT:
  - OUTER: SOLDER.
  - INNER: SOLDER.

THESE COMMODITIES, TECHNOLOGY OR SOFTWARE WERE EXPORTED FROM THE UNITED STATES IN ACCORDANCE WITH THE EXPORT ADMINISTRATION REGULATIONS. DIVERSION CONTRARY TO U.S. LAW PROHIBITED.



## Low Loss SPP-250-LLPL Plenum Rated Corrugated Coax Cable with Blue FEP Jacket Superflexible

### RF Cables Technical Data Sheet


**SPP-250-LLPL**

### Times Microwave Systems Coax Cable Specification

#### Configuration

- Low Loss, Plenum Corrugated Cable

#### Features

- PIM < -160 dBc
- UL910 Plenum Rated Cable
- Lightweight and Extremely Flexible
- Low Loss
- Great Shielding >100 dB
- UV Resistant Jacket

#### Applications

- Distributed Antenna Systems (DAS)
- Plenum Installations
- Small Cells
- Multi-Carrier Communication Systems
- PIM Testing

#### Description

SPP-250-LLPL low loss plenum rated coax cable by Times Microwave is part of our full line of RF components available for same-day shipping. The SPP-250-LLPL coaxial cable features a low loss dielectric, solid copper center conductor and a helically corrugated, copper outer conductor. These features combine to make the Times Microwave SPP-250-LLPL an extremely flexible, low PIM coax cable that is well suited for Distributed Antenna Systems (DAS), plenum installations or small cells. The tough, FEP jacket provides moisture and UV protection.

Our datasheet specifications and drawing with dimensions for Times Microwave SPP-250-LLPL coax cable are shown below in this PDF. Whether the need is to provide a low PIM jumper connection, low PIM feeder cable or simply create a custom cable assembly configuration, Pasternack has the right SPP-250-LLPL cable assemblies for the job.

#### Electrical Specifications

Description	Minimum	Typical	Maximum	Units
Frequency Range	DC		5.8	GHz
Impedance		50		Ohms
Velocity of Propagation		76		%
Shielding Effectiveness	100			dB
Passive Intermodulation			-160	dBc
Inner Conductor DC Resistance			3	Ohms/1000ft
Nominal Capacitance		27 [88.58]		pF/ft [pF/m]
Nominal Inductance		0.067 [0.22]		uH/ft [uH/m]

Click the following link (or enter part number in "SEARCH" on website) to obtain additional part information including price, inventory and certifications: [Low Loss SPP-250-LLPL Plenum Rated Corrugated Coax Cable with Blue FEP Jacket Superflexible SPP-250-LLPL](#)



## Low Loss SPP-250-LLPL Plenum Rated Corrugated Coax Cable with Blue FEP Jacket Superflexible

### RF Cables Technical Data Sheet



**SPP-250-LLPL**

#### Performance by Frequency Band

Description	F1	F2	F3	F4	F5	Units
Frequency	0.45	1.9	2.3	4.9	5.8	GHz
Attenuation, Typ	3.8	8.1	9	13.5	14.8	dB/100ft
	12.47	26.57	29.53	44.29	48.56	dB/100m
Input Power (CW), Max	1,010	470	430	280	260	Watts

#### Mechanical Specifications

Diameter	0.28 in [7.11 mm]
Weight	0.072 lbs/ft [0.11 Kg/m]
Min. Bend Radius (Installation)	1.25 in [31.75 mm]
Bending Moment	0.8 lbs-ft [1.08 N-m]

#### Construction Specifications

Description	Material and Plating	Diameter
Inner Conductor	Copper, 1 Strands	0.068 in [1.73 mm]
Conductor Type	Solid	
Dielectric	PTFE	0.19 in [4.83 mm]
Outer Conductor	Copper Corrugated	0.25 in [6.35 mm]
Jacket	FEP, Blue	0.28 in [7.11 mm]

#### Environmental Specifications

<b>Temperature</b>	
Operating Range	-55 to +200 deg C

Click the following link (or enter part number in "SEARCH" on website) to obtain additional part information including price, inventory and certifications: [Low Loss SPP-250-LLPL Plenum Rated Corrugated Coax Cable with Blue FEP Jacket Superflexible SPP-250-LLPL](#)



## Low Loss SPP-250-LLPL Plenum Rated Corrugated Coax Cable with Blue FEP Jacket Superflexible

### RF Cables Technical Data Sheet



**SPP-250-LLPL**

**Compliance Certifications** (see [product page](#) for current document)

#### Plotted and Other Data

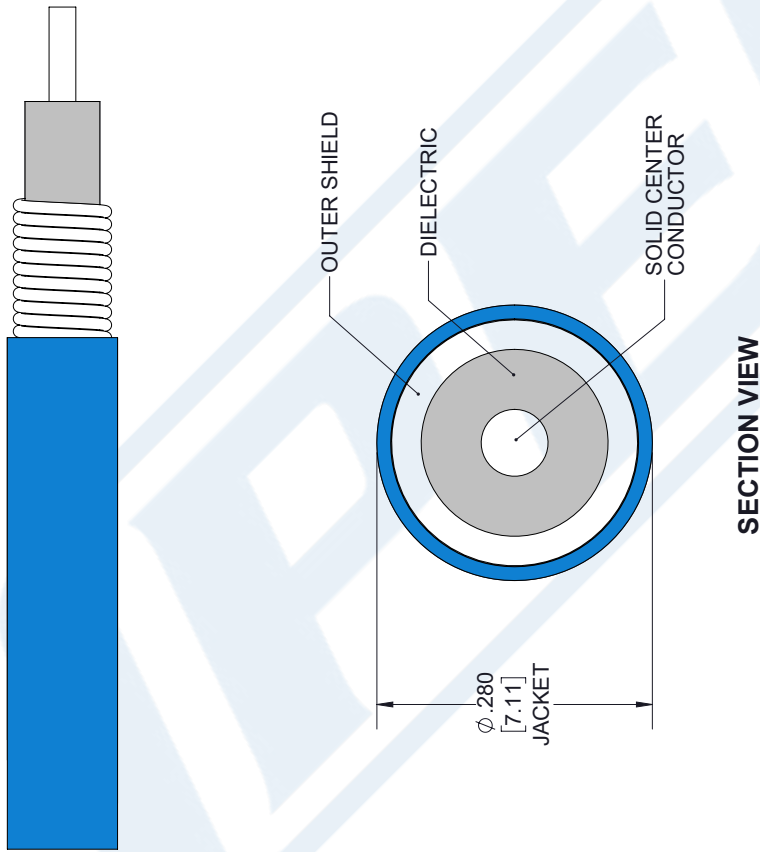
Notes:

Low Loss SPP-250-LLPL Plenum Rated Corrugated Coax Cable with Blue FEP Jacket Superflexible from Pasternack Enterprises has same day shipment for domestic and International orders. Our RF, microwave and millimeter wave products maintain a 99.4% availability and are part of the broadest selection in the industry.

Click the following link (or enter part number in "SEARCH" on website) to obtain additional part information including price, inventory and certifications: [Low Loss SPP-250-LLPL Plenum Rated Corrugated Coax Cable with Blue FEP Jacket Superflexible SPP-250-LLPL](#)

URL: <https://www.pasternack.com/low-loss-corrugated-spp250llpl-fep-jacket-spp-250-llpl-p.aspx>

The information contained in this document is accurate to the best of our knowledge and representative of the part described herein. It may be necessary to make modifications to the part and/or the documentation of the part, in order to implement improvements. Pasternack reserves the right to make such changes as required. Unless otherwise stated, all specifications are nominal. Pasternack does not make any representation or warranty regarding the suitability of the part described herein for any particular purpose, and Pasternack does not assume any liability arising out of the use of any part or documentation.



STANDARD TOLERANCES	
.X	$\pm 0.2$
.XX	$\pm 0.01$
.XXX	$\pm 0.005$

\*STANDARD TOLERANCES APPLY ONLY TO DIMENSIONS IN INCHES



Pasternack Enterprises, Inc.  
 P.O. Box 16759 | Irvine | CA | 92623  
**Phone:** (949) 261-1920 | **Fax:** (949) 261-7451  
**Website:** www.pasternack.com | **E-Mail:** sales@pasternack.com

DWG TITLE  
**SPP-250-LLPL**

**CAGE CODE 53919**

NOTES:  
 1. UNLESS OTHERWISE SPECIFIED ALL DIMENSIONS ARE NOMINAL.  
 2. ALL SPECIFICATIONS ARE SUBJECT TO CHANGE WITHOUT NOTICE AT ANY TIME  
 3. DIMENSIONS ARE IN INCHES [mm].

CAD FILE 022118

SCALE N/A

SIZE A

7361