



N Male Right Angle Connector Crimp/ Solder Attachment for RG213, RG8

RF Connectors Technical Data Sheet

PE4482

Configuration

- N Male Connector
- MIL-STD-348A
- 50 Ohms
- Right Angle Body Geometry
- Connector Interface Types: RG213, RG8

Features

- Max. Operating Frequency 11 GHz
- Gold Plated Brass Contact
- 30 μ m minimum contact plating

Applications

- General Purpose Test
- Custom Cable Assemblies

Description

Pasternack's PE4482 type N male right angle connector with crimp/solder attachment for RG213 and RG8 is part of our full line of RF components available for same-day shipping. Our type N male connector operates up to a maximum frequency of 11 GHz. Its right angle body geometry allows for easier connections in tight spaces.

Our type N male right angle connector PE4482 datasheet specifications and drawing with dimensions are shown below in this PDF. Pasternack's broad catalog of RF, microwave and millimeter wave connectors allows designers to configure and customize their signal connections however they like. Whether the need is to provide an I/O for a board design, or simply create a custom cable assembly configuration, Pasternack has the right connector for the job. Pasternack can also expertly build your custom cable assemblies for you and ship same-day.

Electrical Specifications

| Description | Minimum | Typical | Maximum | Units |
|--------------------------------------|---------|---------|---------|-------|
| Frequency Range | DC | | 11 | GHz |
| Operating Voltage (AC) | | | 1,500 | Vrms |
| Dielectric Withstanding Voltage (AC) | | | 2,500 | Vrms |
| Inner Conductor DC Resistance | | | 1 | mOhms |
| Outer Conductor DC Resistance | | | 1 | mOhms |
| Insulation Resistance | 5,000 | | | MOhms |
| RF Leakage | 90 | | | dB |

Performance by Frequency

| Description | F1 | F2 | F3 | F4 | F5 | Units |
|---------------------|---------|----|----|----|----|-------|
| Frequency Range | DC to 6 | | | | | GHz |
| VSWR, Max | 1.5:1 | | | | | |
| Insertion Loss, Max | 0.15 | | | | | dB |

Click the following link (or enter part number in "SEARCH" on website) to obtain additional part information including price, inventory and certifications: [N Male Right Angle Connector Crimp/Solder Attachment for RG213, RG8 PE4482](#)



N Male Right Angle Connector Crimp/
Solder Attachment for RG213, RG8

RF Connectors
Technical Data Sheet

PE4482

Mechanical Specifications

| | |
|---------------|---------------------|
| Size | |
| Length | 1.99 in [50.55 mm] |
| Width/Dia. | 0.8 in [20.32 mm] |
| Height | 1.29 in [32.77 mm] |
| Weight | 0.151 lbs [68.49 g] |
| Mating Cycles | 500 Cycles |

Material Specifications

| Description | Material | Plating |
|--------------|----------|---------------------------|
| Contact | Brass | Gold 30 µin minimum |
| Insulation | PTFE | |
| Body | Brass | Nickel 100 µin minimum |
| Coupling Nut | Brass | Nickel |
| Crimp Sleeve | Brass | Nickel |

Environmental Specifications

| | |
|--------------------|--------------------------------------|
| Temperature | |
| Operating Range | -65 to +165 deg C |
| Vibration | MIL-STD-202, Method 204, Condition B |
| Temperature Cycle | MIL-STD-202, Method 107, Condition B |
| Salt Spray | MIL-STD-202, Method 101, Condition B |

Compliance Certifications (see [product page](#) for current document)

Plotted and Other Data

Notes:

Click the following link (or enter part number in "SEARCH" on website) to obtain additional part information including price, inventory and certifications: [N Male Right Angle Connector Crimp/Solder Attachment for RG213, RG8 PE4482](#)



N Male Right Angle Connector Crimp/ Solder Attachment for RG213, RG8

RF Connectors Technical Data Sheet

PE4482

N Male Right Angle Connector Crimp/Solder Attachment for RG213, RG8 from Pasternack Enterprises has same day shipment for domestic and International orders. Our RF, microwave and millimeter wave products maintain a 99.4% availability and are part of the broadest selection in the industry.

Click the following link (or enter part number in "SEARCH" on website) to obtain additional part information including price, inventory and certifications: [N Male Right Angle Connector Crimp/Solder Attachment for RG213, RG8 PE4482](https://www.pasternack.com/n-male-rg213-rg8-connector-pe4482-p.aspx)

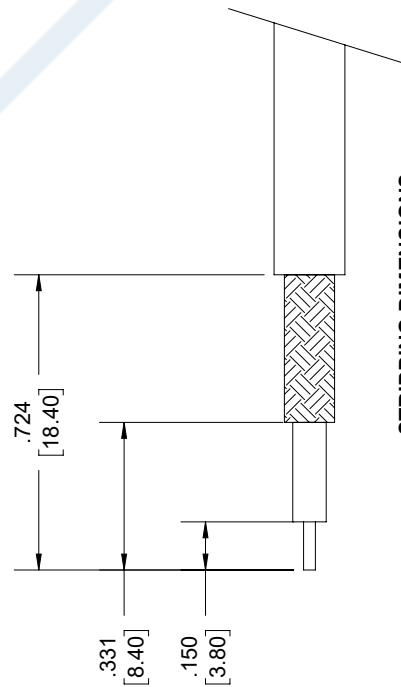
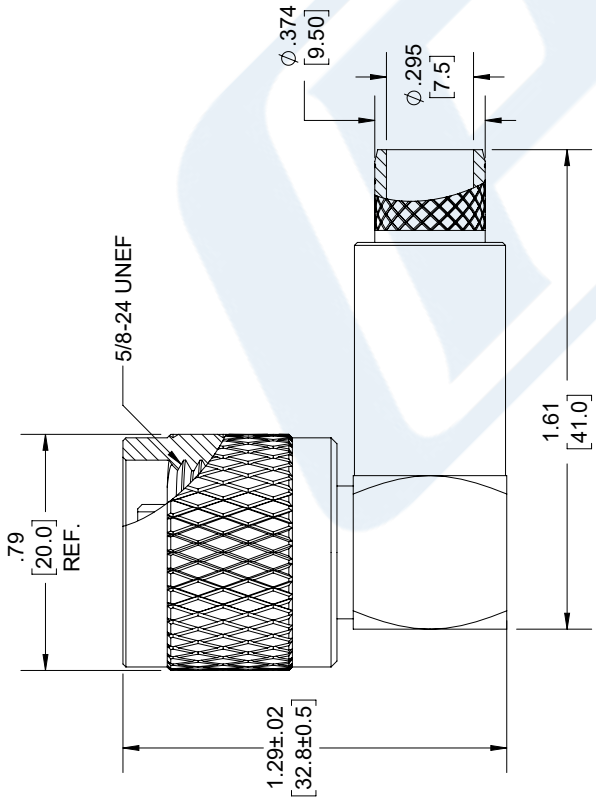
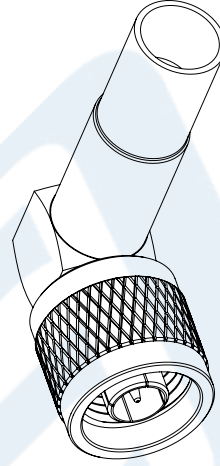
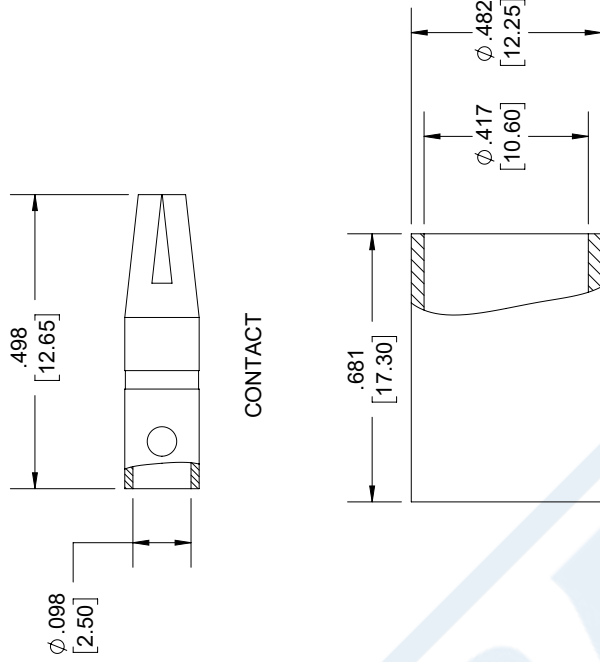
URL: <https://www.pasternack.com/n-male-rg213-rg8-connector-pe4482-p.aspx>

The information contained in this document is accurate to the best of our knowledge and representative of the part described herein. It may be necessary to make modifications to the part and/or the documentation of the part, in order to implement improvements. Pasternack reserves the right to make such changes as required. Unless otherwise stated, all specifications are nominal. Pasternack does not make any representation or warranty regarding the suitability of the part described herein for any particular purpose, and Pasternack does not assume any liability arising out of the use of any part or documentation.

PE4482 CAD Drawing

N Male Right Angle Connector Crimp/Solder Attachment for RG213, RG8

| REVISIONS | | |
|-----------|-----------------|-----------|
| REV. | DESCRIPTION | DATE |
| C | PE4482 20220525 | 6/14/2022 |
| | | APPROVED |
| | | AMARG |



STRIPPING DIMENSIONS

- NOTES:
- CABLE ATTACHMENT:
 - OUTER: CRIMP.
 - INNER: SOLDER.
 - CRIMP SIZE REQUIRED:
 - FERRULE: .429 [10.90] HEX. CRIMP TOOL.

UNLESS OTHERWISE SPECIFIED LEADING DIMENSIONS ARE INCHES DIMENSIONS IN [] ARE MILLIMETERS

TOLERANCES:

| | | |
|---------------|--------|-------------|
| .X = ± .2 | [5.08] | FRACTIONS |
| .XX = ± .02 | [.51] | ± 1/32 |
| .XXX = ± .005 | [.13] | ANGLES ± 1° |

CABLE LENGTH (L) TOLERANCES:

| | | |
|----------------------|--------|-----------------|
| L ≤ 12 | [305] | = +1 [25] / -0 |
| 12 [305] < L ≤ 60 | [1524] | = +2 [51] / -0 |
| 60 [1524] < L ≤ 120 | [3048] | = +4 [102] / -0 |
| 120 [3048] < L ≤ 300 | [7620] | = +6 [152] / -0 |
| 300 [7620] < L | | = +5%L / -0 |

ALL DIMENSIONS SHOWN ARE FOR REFERENCE ONLY.

THIRD-ANGLE PROJECTION

THE INFORMATION AND DESIGN IN THIS DOCUMENT IS THE PROPERTY OF PASTERNAK CORPORATION ALL RIGHTS RESERVED.

SHEET 1 OF 1

SCALE N/A

PE PASTERNAK
an INFINIT® brand

Pasternack Enterprises, Inc.
P. O. Box 16759, Irvine, CA 92623.
Phone: 1.949.261.1920 | 1.866.727.8376
Fax: 1.949.261.7451
Website: www.pasternack.com
E-mail: sales@pasternack.com

ITEM NO. PE4482

SIZE A CAGE CODE 53919 DRAWN BY WZHANG REV C



N Male Connector Crimp/Solder Attachment for RG213, RG215, RG8

RF Connectors Technical Data Sheet

PE4430

Configuration

- N Male Connector
- MIL-STD-348A
- 50 Ohms
- Straight Body Geometry
- Connector Interface Types: RG213, RG215, RG8

Features

- Max. Operating Frequency 10 GHz
- Good VSWR of 1.3:1
- Gold Plated Brass Contact
- 30 μ m minimum contact plating

Applications

- General Purpose Test
- Custom Cable Assemblies

Description

Pasternack's PE4430 type N male connector with crimp/solder attachment for RG213, RG215 and RG8 is part of our full line of RF components available for same-day shipping. Our type N male connector operates up to a maximum frequency of 10 GHz and offers good VSWR of 1.3:1.

Our type N male connector PE4430 datasheet specifications and drawing with dimensions are shown below in this PDF. Pasternack's broad catalog of RF, microwave and millimeter wave connectors allows designers to configure and customize their signal connections however they like. Whether the need is to provide an I/O for a board design, or simply create a custom cable assembly configuration, Pasternack has the right connector for the job. Pasternack can also expertly build your custom cable assemblies for you and ship same-day.

Electrical Specifications

| Description | Minimum | Typical | Maximum | Units |
|------------------------|---------|---------|---------|-------|
| Frequency Range | DC | | 10 | GHz |
| VSWR | | | 1.3:1 | |
| Operating Voltage (AC) | | | 1,000 | Vrms |

Mechanical Specifications

Size

| | |
|------------|---------------------|
| Length | 1.57 in [39.88 mm] |
| Width/Dia. | 0.787 in [19.99 mm] |
| Weight | 0.075 lbs [34.02 g] |

Click the following link (or enter part number in "SEARCH" on website) to obtain additional part information including price, inventory and certifications: [N Male Connector Crimp/Solder Attachment for RG213, RG215, RG8 PE4430](#)



N Male Connector Crimp/Solder Attachment for RG213, RG215, RG8

RF Connectors Technical Data Sheet

PE4430

Material Specifications

| Description | Material | Plating |
|--------------|----------|---------------------------|
| Contact | Brass | Gold 30 µin minimum |
| Insulation | PTFE | |
| Body | Brass | Nickel 100 µin minimum |
| Coupling Nut | Brass | Nickel 100 µin minimum |
| Crimp Sleeve | Brass | Nickel |

Environmental Specifications

Temperature

Operating Range -65 to +165 deg C

Compliance Certifications (see [product page](#) for current document)

Plotted and Other Data

Notes:

N Male Connector Crimp/Solder Attachment for RG213, RG215, RG8 from Pasternack Enterprises has same day shipment for domestic and International orders. Our RF, microwave and millimeter wave products maintain a 99.4% availability and are part of the broadest selection in the industry.

Click the following link (or enter part number in "SEARCH" on website) to obtain additional part information including price, inventory and certifications: [N Male Connector Crimp/Solder Attachment for RG213, RG215, RG8 PE4430](#)

URL: <https://www.pasternack.com/n-male-standard-rg213-rg8-connector-pe4430-p.aspx>

The information contained in this document is accurate to the best of our knowledge and representative of the part described herein. It may be necessary to make modifications to the part and/or the documentation of the part, in order to implement improvements. Pasternack reserves the right to make such changes as required. Unless otherwise stated, all specifications are nominal. Pasternack does not make any representation or warranty regarding the suitability of the part described herein for any particular purpose, and Pasternack does not assume any liability arising out of the use of any part or documentation.



20kV Flexible RG213 High Voltage Coax Cable Single Shielded with Red PUR Jacket

RF Cables Technical Data Sheet

RG213HV

Configuration

- 1 Shield(s)

Features

- Voltage rating up to 20kV
- Low Signal Attenuation
- Robust Insulation
- Flexible and Durable

Applications

- Semiconductor Testing
- Radar Systems
- Broadcast Stations
- Research and Development
- Military and Defense

Description

RG213HV part number from Pasternack is a coax cable that is flexible. Pasternack's flexible coax RF cable has an impedance of 50 Ohm and PE dielectric. Our RG213HV coax cable is constructed with a 0.394-inch jacket made of red polyurethane. Our coax cable from Pasternack has a maximum frequency of 1000 MHz. This red colored coax cable has a 0.317-inch shield layer of tinned copper braid. Additional specifications for this RG213HV single-shielded RF coaxial cable are on our downloadable PDF datasheet above. Our RG213HV coax cable has a maximum operating temperature of 70 degrees C. This 20kV red-colored flexible RF cable with a 50 Ohm impedance has a typical insertion loss/maximum attenuation of 0.09 dB/ft at a frequency of 1000 MHz. The RG213HV flexible RF cable has a stranded copper center conductor with bare conductor plating.

RG213 high-voltage RF cable is specifically designed for radio frequency applications that require handling high levels of voltage. With a rated voltage of 20kV, this cable ensures safe and efficient transmission of high-voltage RF signals. It is commonly used in industrial applications where reliable RF signal distribution is essential. The RG213 cable is built with durable insulation materials and conductors to minimize signal loss and maintain excellent performance. Adhering to safety guidelines and proper installation practices are essential when working with this cable to maintain electrical safety and preserve signal integrity. Pasternack RG213HV coax cables are part of over 40,000 RF, microwave, and millimeter wave components. These flexible RF cables and our other RF parts are available for same-day shipping worldwide. Custom RF cable assemblies using RG213HV other coax can be built and shipped the same business day as well.

Electrical Specifications

| Description | Minimum | Typical | Maximum | Units |
|-----------------------------------|---------|---------|---------|-----------|
| Frequency Range | DC | | 1,000 | MHz |
| Impedance | | 50 | | Ohms |
| Operating Voltage (DC) | | | 20,000 | Vdc |
| Test Voltage (Conductor/Braid) | | 41 | | kVoc/1min |
| Test Voltage (Spark Test, Core) | | 15 | | kVac |
| Test Voltage (Spark Test, Jacket) | | 5 | | kVac |
| Test Voltage (Type Test) | | 32 | | kVoc |

Click the following link (or enter part number in "SEARCH" on website) to obtain additional part information including price, inventory and certifications: [20kV Flexible RG213 High Voltage Coax Cable Single Shielded with Red PUR Jacket RG213HV](#)



20kV Flexible RG213 High Voltage Coax Cable Single Shielded with Red PUR Jacket

RF Cables Technical Data Sheet

RG213HV

Performance by Frequency Band

| Description | F1 | F2 | F3 | F4 | F5 | Units |
|------------------|------|------|-------|-------|----|----------|
| Frequency | 50 | 100 | 400 | 1,000 | | MHz |
| Attenuation, Typ | 1.2 | 2.3 | 4.8 | 9 | | dB/100ft |
| | 3.94 | 7.55 | 15.75 | 29.53 | | |

Mechanical Specifications

| | |
|-----------------------------|--------------------------|
| Diameter | 0.394 in [10.01 mm] |
| Weight | 0.097 lbs/ft [0.14 kg/m] |
| Min. Bend Radius (Repeated) | 1.969 in [50.01 mm] |

Construction Specifications

| Description | Material and Plating | Diameter |
|-----------------|-------------------------|---------------------|
| Inner Conductor | Copper, Bare, 7 Strands | 0.089 in [2.26 mm] |
| Conductor Type | Stranded | |
| Dielectric | PE | 0.286 in [7.26 mm] |
| First Shield | Tinned Copper Braid | 0.317 in [8.05 mm] |
| Jacket | Polyurethane, Red | 0.394 in [10.01 mm] |

Environmental Specifications

| | |
|--------------------------------|------------------|
| Temperature Operating Range | -30 to +70 deg C |
|--------------------------------|------------------|

Click the following link (or enter part number in "SEARCH" on website) to obtain additional part information including price, inventory and certifications: [20kV Flexible RG213 High Voltage Coax Cable Single Shielded with Red PUR Jacket RG213HV](#)



20kV Flexible RG213 High Voltage Coax Cable Single Shielded with Red PUR Jacket

RF Cables Technical Data Sheet

RG213HV

Compliance Certifications (see [product page](#) for current document)

Plotted and Other Data

Notes:

- 1) All tests performed in accordance with MIL-DTL-17 (current issue).
- 2) All materials are RoHS and REACH compliant.

20kV Flexible RG213 High Voltage Coax Cable Single Shielded with Red PUR Jacket from Pasternack Enterprises has same day shipment for domestic and international orders. Our RF, microwave and millimeter wave products maintain a 99.4% availability and are part of the broadest selection in the industry.

Click the following link (or enter part number in "SEARCH" on website) to obtain additional part information including price, inventory and certifications: [20kV Flexible RG213 High Voltage Coax Cable Single Shielded with Red PUR Jacket RG213HV](#)

URL: <https://www.pasternack.com/flexible-rg213-polyurethane-jacket-tinned-copper-braid-outer-conductor-single-shielded-rg213hv-p.aspx>

The information contained in this document is accurate to the best of our knowledge and representative of the part described herein. It may be necessary to make modifications to the part and/or the documentation of the part, in order to implement improvements. Pasternack reserves the right to make such changes as required. Unless otherwise stated, all specifications are nominal. Pasternack does not make any representation or warranty regarding the suitability of the part described herein for any particular purpose, and Pasternack does not assume any liability arising out of the use of any part or documentation.

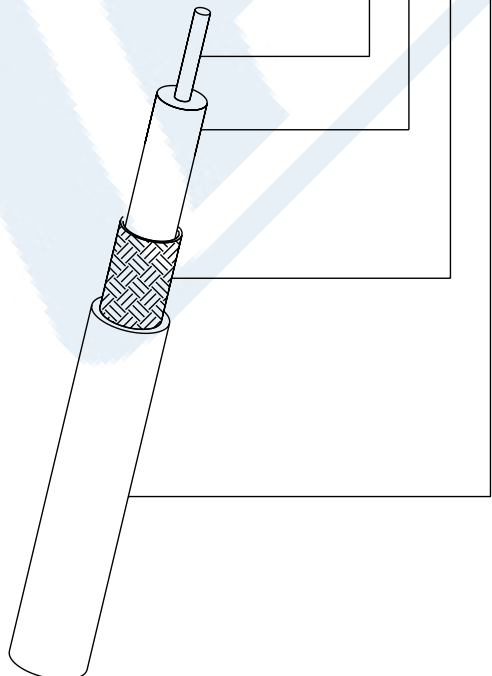
RG213HV CAD Drawing

20kV Flexible RG213 High Voltage Coax Cable Single Shielded with Red PUR Jacket

1 2 3 4 5 6

F E D C B A

| REVISION | | | |
|----------|-----|-----------------|------------|
| ZONE | REV | DESCRIPTION | DATE |
| | A | INITIAL RELEASE | 05/05/2023 |
| | | CHANGED BY | PSRINIVAS |
| | | APPROVED | AGANWANI |



| | | |
|------------------|---------------|----------------------|
| Center Conductor | Ø.0886 [2.25] | 7 Strand Bare Copper |
| Dielectric | Ø.286 [7.26] | Solid Polyethylene |
| Braid | Ø.317 [8.05] | Copper Braid |
| Jacket | Ø.394 [10.01] | Red PUR |

UNLESS OTHERWISE SPECIFIED LEADING DIMENSIONS ARE INCHES DIMENSIONS IN [] ARE MILLIMETERS

TOLERANCES:
 .X = ±.2 [.5] FRACTIONS ± 1/32
 .XX = ±.02 [.5] ANGLES ± 1°
 .XXX = ±.005 [.13]

CABLE LENGTH TOLERANCES:
 ≤12 [305] = +1[25] / -0
 >12 [305] ≤ 60 [1524] = +2[51] / -0
 >60 [1524] ≤ 120 [3048] = +4 [102] / -0
 >120 [3048] ≤ 300 [7620] = +6 [152] / -0
 >300 [7620] = +5% / -0

ALL DIMENSIONS ARE FOR REFERENCE ONLY AND SUBJECT TO CHANGE WITHOUT NOTICE



Website: www.Pasternack.com
 Phone: 1.866.727.8376 | 1.949.261.1920

INTERPRET ALL DIMENSIONS AND TOLERANCES PER ASME Y14.5

SCALE: NONE

SHEET: 1 OF 1

DESCRIPTION
Flexible RG213 High Voltage Coax Cable Single Shielded with Red PUR Jacket

SIZE: A CABLE CODE: 53919 DRAWN BY: PSRINIVAS ITEM NO.: RG213HV REV: A

THE INFORMATION CONTAINED IN THIS DRAWING IS THE SOLE PROPERTY OF INFINITE ELECTRONICS, INC. ANY REPRODUCTION IN PART OR WHOLE WITHOUT THE WRITTEN PERMISSION OF INFINITE ELECTRONICS, INC. IS PROHIBITED. THESE COMMODITIES, TECHNOLOGY OR SOFTWARE WERE EXPORTED FROM THE UNITED STATES IN ACCORDANCE WITH THE EXPORT ADMINISTRATION REGULATIONS. DIVERSION CONTRARY TO U.S. LAW PROHIBITED.