

2.92mm Male Connector Clamp/Solder Attachment for PE-034SR, .034 Semi-Rigid



PE51263

Configuration

- 2.92mm Male Connector
- 50 Ohms
- Straight Body Geometry
- Connector Interface Types: PE-034SR, .034 Semi-Rigid

Features

- Max. Operating Frequency 40 GHz
- Excellent VSWR of 1.25:1
- Gold over Nickel Plated Beryllium Copper Contact

Applications

- General Purpose Test
- Custom Cable Assemblies

Description

Pasternack's PE51263 , 2.92mm, Standard, Connector is part of our full line of RF components available for same-day shipping. Our 2.92mm male connector operates up to a maximum frequency of 40 GHz and offers excellent VSWR of 1.25:1.

Our 2.92mm male connector PE51263 datasheet specifications and drawing with dimensions are shown below in this PDF. Pasternack's broad catalog of RF, microwave and millimeter wave connectors allows designers to configure and customize their signal connections however they like. Whether the need is to provide an I/O for a board design, or simply create a custom cable assembly configuration, Pasternack has the right connector for the job. Pasternack can also expertly build your custom cable assemblies for you and ship same-day.

Electrical Specifications

| Description | Minimum | Typical | Maximum | Units |
|--------------------------------------|---------|---------|---------|-------|
| Frequency Range | DC | | 40 | GHz |
| VSWR | | | 1.25:1 | |
| Insertion Loss | | | 0.252 | dB |
| Operating Voltage (AC) | | | 250 | Vrms |
| Dielectric Withstanding Voltage (AC) | | | 750 | Vrms |
| Inner Conductor DC Resistance | | | 3 | mOhms |
| Outer Conductor DC Resistance | | | 2 | mOhms |
| Insulation Resistance | 5,000 | | | MOhms |
| RF Leakage | 100 | | | dB |
| Impedance | | 50 | | Ohms |

Electrical Specification Notes:
Insertion loss is = 0.04*SQRT(F(GHz) dB

Mechanical Specifications

Size

- Length 0.291339 in [7.4 mm]
- Width 0.291339 in [7.4 mm]
- Height 0.629921 in [16 mm]
- Weight 0.015 lbs [6.8 g]
- Mating Cycles 500 Cycles
- Mating Torque 11.47 to 15 in-lbs [[1.30 to 1.70 Nm]]

2.92mm Male Connector Clamp/Solder Attachment for PE-034SR, .034 Semi-Rigid



PE51263

Cable Retention Force 4.9 lbs [2.22 kg]

Material Specifications

| Description | Material | Plating |
|----------------|------------------|-----------------------|
| Contact | Beryllium Copper | Gold over Nickel |
| Insulation | PPO | |
| Body | Stainless Steel | Passivated |
| Coupling Nut | Stainless Steel | Passivated |
| Retaining Ring | Beryllium Copper | Copper-Tin-Zinc Alloy |
| Gasket | Silicone | |
| Solder Sleeve | Stainless Steel | Passivated |

Environmental Specifications

Temperature

Operating Range -55 to +105 deg C
Thermal Shock MIL-STD-202, Method 107, Condition B

Compliance Certifications (see [product page](#) for current document)

Plotted and Other Data

Notes:

2.92mm Male Connector Clamp/Solder Attachment for PE-034SR, .034 Semi-Rigid from Pasternack Enterprises has same day shipment for domestic and International orders. Our RF, microwave and millimeter wave products maintain a 99.4% availability and are part of the broadest selection in the industry.

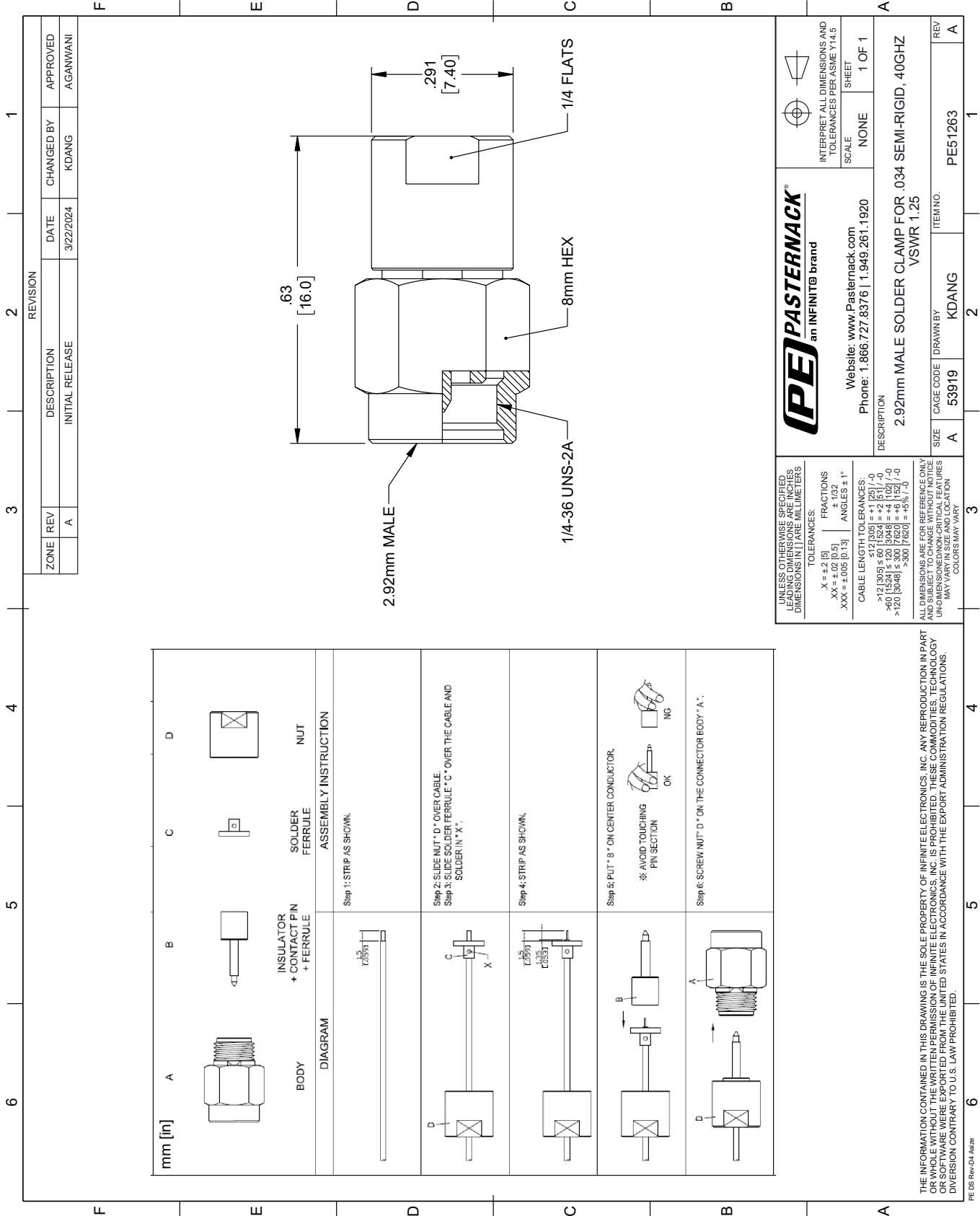
Click the following link (or enter part number in "SEARCH" on website) to obtain additional part information including price, inventory and certifications: [2.92mm Male Connector Clamp/Solder Attachment for PE-034SR, .034 Semi-Rigid PE51263](#)

URL: <https://www.pasternack.com/2.92mm-male-pe-034sr-.034-semi-rigid-connector-pe51263-p.aspx>

The information contained within this document is accurate to the best of our knowledge and representative of the part described herein. It may be necessary to make modifications to the part and/or the documentation of the part in order to implement improvements. Pasternack Enterprises reserves the right to make such changes as required. Unless otherwise stated, all specifications are nominal. Pasternack Enterprises does not make any representation or warranty regarding the suitability of the part described herein for any particular purpose, and Pasternack Enterprises does not assume liability arising out of the use of any part or document.

PE51263 CAD Drawing

2.92mm Male Connector Clamp/Solder Attachment for PE-034SR, .034 Semi-Rigid





SMA Female Connector Solder Attachment for PE-034SR

RF Connectors Technical Data Sheet

PE4921

Configuration

- SMA Female Connector
- MIL-STD-348
- 50 Ohms
- Straight Body Geometry
- PE-034SR Interface Type
- Solder/Solder Attachment

Features

- Gold Plated Contact
- Contact plating according to MIL-G-45204

Applications

- General Purpose Test
- Custom Cable Assemblies

Description

Pasternack's PE4921 SMA female connector solder attachment for PE-034SR is part of our full line of RF components available for same-day shipping.

Our SMA female connector PE4921 datasheet specifications and drawing with dimensions are shown below in this PDF. Pasternack's broad catalog of RF, microwave and millimeter wave connectors allows designers to configure and customize their signal connections however they like. Whether the need is to provide an I/O for a board design, or simply create a custom cable assembly configuration, Pasternack has the right connector for the job. Pasternack can also expertly build your custom cable connector assemblies for you and ship same-day.

Mechanical Specifications

Size

| | |
|------------|---------------------|
| Length | 0.458 in [11.63 mm] |
| Width/Dia. | 0.25 in [6.35 mm] |
| Weight | 0.0049 lbs [2.22 g] |

Material Specifications

| Description | Material | Plating |
|-------------|----------|---------------------|
| Contact | | Gold MIL-G-45204 |
| Insulation | PTFE | |
| Body | Brass | Gold MIL-G-45204 |

Click the following link (or enter part number in "SEARCH" on website) to obtain additional part information including price, inventory and certifications: [SMA Female Connector Solder Attachment for PE-034SR PE4921](#)



SMA Female Connector Solder Attachment for PE-034SR

RF Connectors Technical Data Sheet

PE4921

Compliance Certifications (see [product page](#) for current document)

Plotted and Other Data

Notes:

SMA Female Connector Solder Attachment for PE-034SR from Pasternack Enterprises has same day shipment for domestic and International orders. Our RF, microwave and millimeter wave products maintain a 99% availability and are part of the broadest selection in the industry.

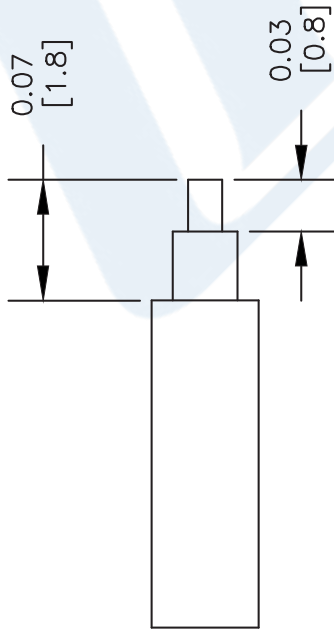
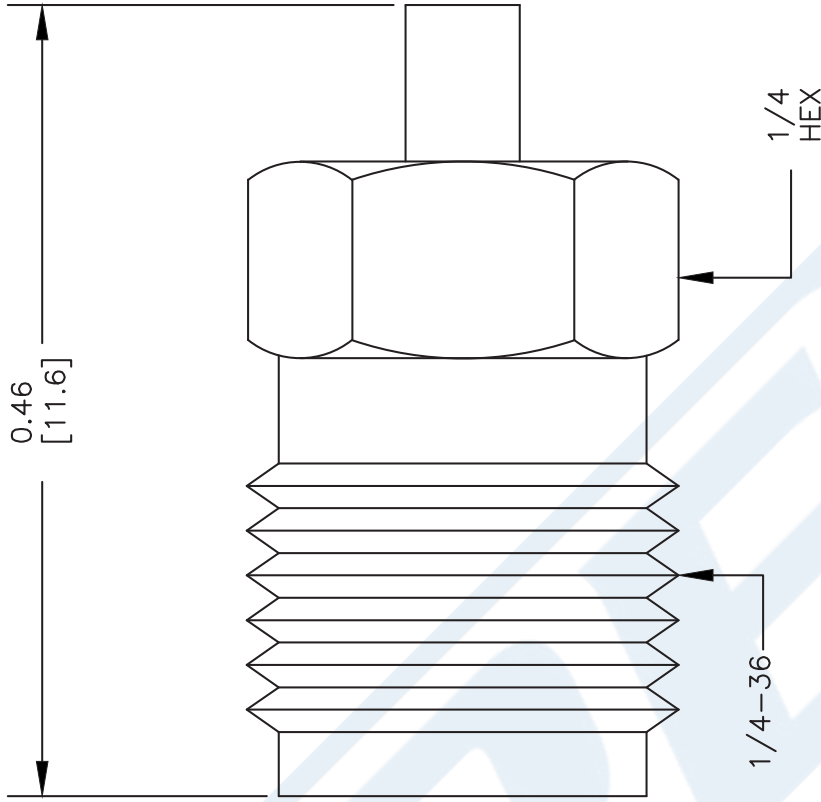
Click the following link (or enter part number in "SEARCH" on website) to obtain additional part information including price, inventory and certifications: [SMA Female Connector Solder Attachment for PE-034SR PE4921](#)

URL: <https://www.pasternack.com/sma-female-standard-pe-034sr-connector-pe4921-p.aspx>

The information contained in this document is accurate to the best of our knowledge and representative of the part described herein. It may be necessary to make modifications to the part and/or the documentation of the part, in order to implement improvements. Pasternack reserves the right to make such changes as required. Unless otherwise stated, all specifications are nominal. Pasternack does not make any representation or warranty regarding the suitability of the part described herein for any particular purpose, and Pasternack does not assume any liability arising out of the use of any part or documentation.

PE4921 CAD Drawing

SMA Female Connector Solder Attachment for PE-034SR



STRIPPING DIMENSIONS

ASSEMBLY PROCEDURES

1. STRIP CABLE AS SHOWN. DO NOT NICK CENTER CONDUCTOR. SLIDE CABLE THROUGH BODY.
2. INSERT CENTER CONDUCTOR INTO CONTACT UNTIL DIELECTRIC BOTTOMS INSIDE CONTACT. SOFT SOLDER CONTACT TO CENTER CONDUCTOR. DO NOT OVER HEAT DIELECTRIC.
3. USING ASSEMBLY TOOL, PRESS CONTACT FULLY INTO INSULATOR. SOLDER OUTER CONDUCTOR TO BODY.

DWG TITLE

PE4921

NOTES:
 1. UNLESS OTHERWISE SPECIFIED ALL DIMENSIONS ARE NOMINAL.
 2. ALL SPECIFICATIONS ARE SUBJECT TO CHANGE WITHOUT NOTICE AT ANY TIME.
 3. DIMENSIONS ARE IN INCHES [mm].
 4. FITS MIL-C-17 AND EQUIVALENT CABLES.

SIZE A

FSCM NO. 53919

CAD FILE 021913-A

SCALE N/A

SIZE A

127



PASTERNAK®
 Pasternack Enterprises, Inc.
 P.O. Box 16759 | Irvine | CA | 92623
Phone: (949) 261-1920 | **Fax:** (949) 261-7451
Website: www.pasternack.com | **E-Mail:** sales@pasternack.com

034 Semi-rigid Coax Cable with Copper Outer Conductor

TECHNICAL DATA SHEET

PE-034SR

034 Semi-rigid Coax Cable with Copper Outer Conductor

Configuration

| | |
|--------------------------------------|---------------------------|
| Inner Conductor Material and Plating | Copper Clad Steel, Silver |
| Dielectric Type | PTFE |
| Shield Materials | Copper |
| Jacket Material and Color | Tan |

Electrical Specifications

| | |
|----------------------------------|-------|
| Impedance, Ohms | 50 |
| Maximum Operating Frequency, GHz | 40 |
| Maximum Operating Voltage, Volts | 2,000 |

Electrical Specifications by Frequency

Frequency 1

| | |
|---------------------------------|-------------|
| Frequency, MHz | 1000 |
| Attenuation, dB/100ft [dB/100m] | 60 [196.85] |
| Power Handling, Watts | 10 |

Frequency 2

| | |
|---------------------------------|--------------|
| Frequency, GHz | 10 |
| Attenuation, dB/100ft [dB/100m] | 190 [623.36] |
| Power Handling, Watts | 3.1 |

Frequency 3

| | |
|---------------------------------|--------------|
| Frequency, GHz | 20 |
| Attenuation, dB/100ft [dB/100m] | 280 [918.64] |
| Power Handling, Watts | 2 |

Mechanical Specifications

Temperature

| | |
|------------------------|-------------|
| Operating Range, deg C | -55 to +100 |
|------------------------|-------------|

Inner Conductor

| | |
|-------------------|-------------------|
| Number of Strands | 1 |
| Material | Copper Clad Steel |
| Plating | Silver |
| Diameter, in [mm] | 0.008 [0.2] |

Dielectric:

| | |
|-------------------|--------------|
| Type | PTFE |
| Diameter, in [mm] | 0.026 [0.66] |

Click the following link (or enter part number in "SEARCH" on website) to obtain additional part information including price, inventory and certifications: [034 Semi-rigid Coax Cable with Copper Outer Conductor PE-034SR](#)

The information contained in this document is accurate to the best of our knowledge and representative of the part described herein. It may be necessary to make modifications to the part and/or the documentation of the part, in order to implement improvements. Pasternack reserves the right to make such changes as required. Unless otherwise stated, all specifications are nominal.

034 Semi-rigid Coax Cable with Copper Outer Conductor

TECHNICAL DATA SHEET

PE-034SR

Shield:

| | |
|-------------------|--------------|
| Number of | 1 |
| Material 1 | Copper |
| Diameter, in [mm] | 0.034 [0.86] |

Jacket:

| | |
|---------------------------------------|------------|
| Color | Tan |
| One Time Minimum Bend Radius, in [mm] | 0.5 [12.7] |
| Weight, lbs/ft [Kg/m] | 0.002 [0] |

Compliance Certifications (visit www.Pasternack.com for current document)

| | |
|----------------|-----|
| RoHS Compliant | Yes |
|----------------|-----|

Plotted and Other Data

| | |
|--------|----------------------------|
| Notes: | Values at 25 °C, sea level |
|--------|----------------------------|

034 Semi-rigid Coax Cable with Copper Outer Conductor from Pasternack Enterprises has same day shipment for domestic and International orders. Our RF, microwave and fiber optic products maintain a 99% availability and are part of the broadest selection in the industry.

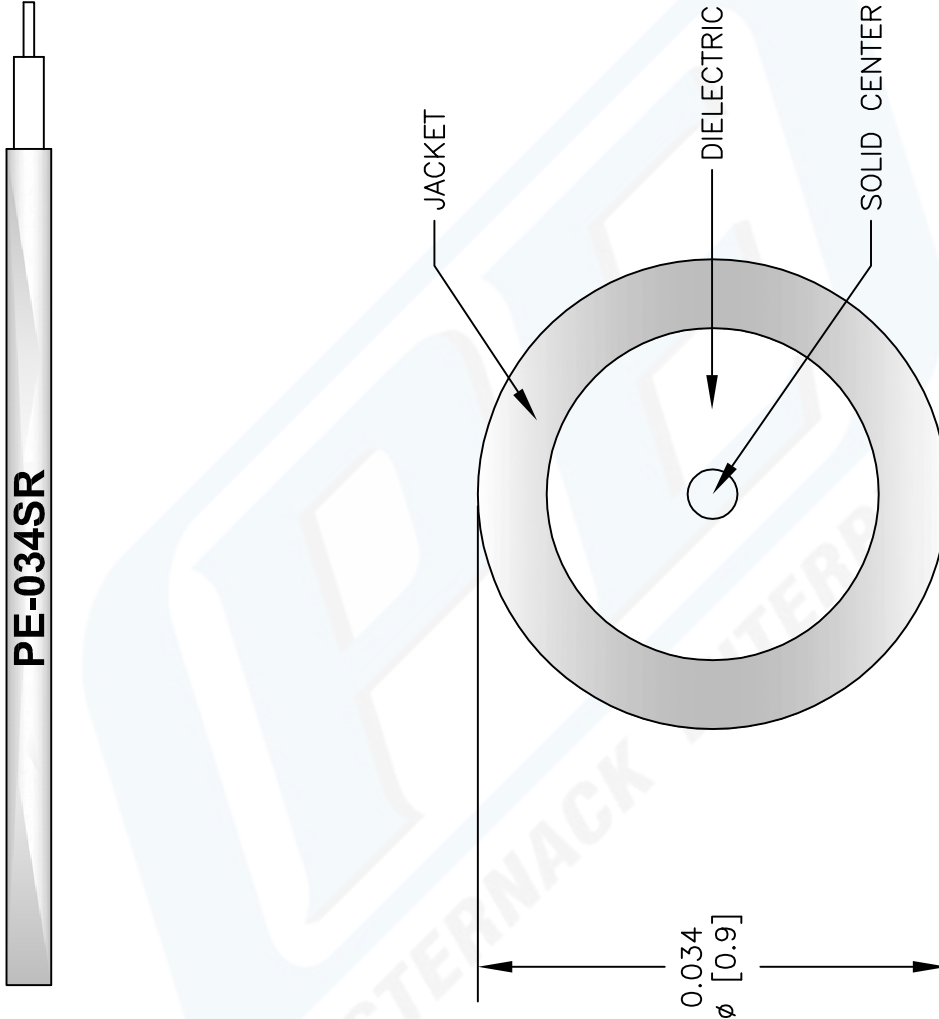
Click the following link (or enter part number in "SEARCH" on website) to obtain additional part information including price, inventory and certifications: [034 Semi-rigid Coax Cable with Copper Outer Conductor PE-034SR](#)

URL: <http://www.pasternack.com/semirigid-0.034-50-ohm-coax-cable-copper-pe-034sr-p.aspx>

The information contained in this document is accurate to the best of our knowledge and representative of the part described herein. It may be necessary to make modifications to the part and/or the documentation of the part, in order to implement improvements. Pasternack reserves the right to make such changes as required. Unless otherwise stated, all specifications are nominal.

PE-034SR CAD Drawing

034 Semi-rigid Coax Cable with Copper Outer Conductor



NOTES:
 1. UNLESS OTHERWISE SPECIFIED ALL DIMENSIONS ARE NOMINAL.
 2. ALL SPECIFICATIONS ARE SUBJECT TO CHANGE WITHOUT NOTICE AT ANY TIME.
 3. DIMENSIONS ARE IN INCHES (mm).

DWG TITLE
PE-034SR

REV. A FSCM NO. 53919

CAD FILE 022808-A SCALE N/A SIZE A 147

PE PASTERNAK®
 Pasternack Enterprises, Inc.
 P.O. Box 16759 | Irvine | CA | 92623
 Phone: (949) 261-1920 | Fax: (949) 261-7451
 Website: www.pasternack.com | E-Mail: sales@pasternack.com