



## SMP Female Right Angle Push-On Connector Crimp/ Solder Attachment for RG316, RG174, LMR-100

### RF Connectors Technical Data Sheet

PE45128

#### Configuration

- Push-On SMP Female Connector
- MIL-STD-348A
- 50 Ohms
- Right Angle Body Geometry
- RG316, RG174, LMR-100 Interface Type
- Crimp/Solder Attachment

#### Electrical Specifications

| Description            | Minimum | Typical | Maximum | Units |
|------------------------|---------|---------|---------|-------|
| Frequency Range        | DC      |         | 3       | GHz   |
| VSWR                   |         |         | 1.3:1   |       |
| Operating Voltage (AC) |         |         | 350     | Vrms  |

#### Mechanical Specifications

##### Size

|            |                      |
|------------|----------------------|
| Length     | 0.295 in [7.49 mm]   |
| Width/Dia. | 0.157 in [3.99 mm]   |
| Height     | 0.311 in [7.9 mm]    |
| Weight     | 0.00736 lbs [3.34 g] |

##### Material Specifications

| Description     | Material         | Plating                 |
|-----------------|------------------|-------------------------|
| Contact         | Beryllium Copper | Gold<br>30μ in. minimum |
| Insulation      | Teflon           |                         |
| Outer Conductor | Beryllium Copper | Gold<br>3μ in. minimum  |
| Body            | Brass            | Gold<br>3μ in. minimum  |

#### Environmental Specifications

##### Temperature

|                 |                  |
|-----------------|------------------|
| Operating Range | -65 to 165 deg C |
|-----------------|------------------|

Click the following link (or enter part number in "SEARCH" on website) to obtain additional part information including price, inventory and certifications: [SMP Female Right Angle Push-On Connector Crimp/Solder Attachment for RG316, RG174, LMR-100 PE45128](#)



## SMP Female Right Angle Push-On Connector Crimp/ Solder Attachment for RG316, RG174, LMR-100

### RF Connectors Technical Data Sheet

PE45128

**Compliance Certifications** (see [product page](#) for current document)

#### Plotted and Other Data

Notes:

SMP Female Right Angle Push-On Connector Crimp/Solder Attachment for RG316, RG174, LMR-100 from Pasternack Enterprises has same day shipment for domestic and International orders. Our RF, microwave and millimeter wave products maintain a 99% availability and are part of the broadest selection in the industry.

Click the following link (or enter part number in "SEARCH" on website) to obtain additional part information including price, inventory and certifications: [SMP Female Right Angle Push-On Connector Crimp/Solder Attachment for RG316, RG174, LMR-100 PE45128](#)

URL: <https://www.pasternack.com/smp-female-push-on-rg316-rg174-lmr-100-connector-pe45128-p.aspx>

The information contained in this document is accurate to the best of our knowledge and representative of the part described herein. It may be necessary to make modifications to the part and/or the documentation of the part, in order to implement improvements. Pasternack reserves the right to make such changes as required. Unless otherwise stated, all specifications are nominal. Pasternack does not make any representation or warranty regarding the suitability of the part described herein for any particular purpose, and Pasternack does not assume any liability arising out of the use of any part or documentation.

# PE45128 CAD Drawing

SMP Female Right Angle Push-On Connector Crimp/  
Solder Attachment for RG316, RG174, LMR-100



### ASSEMBLY PROCEDURES

1. STRIP THE CABLE TO THE DIMENSIONS SHOWN, DO NOT NICK CENTER CONDUCTOR OR BRAID.
2. SLIDE FERRULE ONTO THE CABLE.
3. FLARE THE BRAID, INSERT THE CONTACT AND SOLDER TO INTERNAL CONTACT.
4. SLIDE FERRULE OVER BRAID AND CRIMP WITH .130" [3.3] HEX. CRIMP TOOL.
5. INSERT THE INSULATION AND THE CAP.

DWG TITLE

**PE45128**

NOTES:  
1. UNLESS OTHERWISE SPECIFIED ALL DIMENSIONS ARE NOMINAL.  
2. ALL SPECIFICATIONS ARE SUBJECT TO CHANGE WITHOUT NOTICE AT ANY TIME.  
3. DIMENSIONS ARE IN INCHES [mm].

**PE PASTERNAK**  
THE ENGINEER'S RF SOURCE

Pasternack Enterprises, Inc.  
P.O. Box 16759 | Irvine | CA | 92623  
Phone: (949) 261-1920 | Fax: (949) 261-7451  
Website: www.pasternack.com | E-Mail: sales@pasternack.com

FSCM NO. 53919

CAD FILE 021015

SCALE N/A

SIZE A

200

## TNC Female Bulkhead Mount Connector Clamp/Solder Attachment for RG174, RG316, RG188, .480 inch D Hole



### PE4304

#### Configuration

- TNC Female Connector
- 50 Ohms
- Straight Body Geometry
- Connector Interface Types: RG174, RG316, RG188
- Bulkhead

#### Applications

- General Purpose Test
- Rack and Panel Mount Applications
- Custom Cable Assemblies

#### Description

Pasternack's PE4304, TNC, Standard, Connector is part of our full line of RF components available for same-day shipping. This TNC bulkhead connector allows designers to create external connections on their product enclosures, and can be used in a variety of other rack mount and panel mount applications.

Our TNC female bulkhead connector PE4304 datasheet specifications and drawing with dimensions are shown below in this PDF. Pasternack's broad catalog of RF, microwave and millimeter wave connectors allows designers to configure and customize their signal connections however they like. Whether the need is to provide an I/O for a board design, or simply create a custom cable assembly configuration, Pasternack has the right connector for the job. Pasternack can also expertly build your custom cable assemblies for you and ship same-day.

#### Electrical Specifications

| Description | Minimum | Typical | Maximum | Units |
|-------------|---------|---------|---------|-------|
| Impedance   |         | 50      |         | Ohms  |

#### Mechanical Specifications

|        |                     |
|--------|---------------------|
| Size   |                     |
| Weight | 0.055 lbs [24.95 g] |

#### Material Specifications

| Description | Material | Plating |
|-------------|----------|---------|
| Body        | Brass    | Nickel  |

#### Environmental Specifications

Temperature

**Compliance Certifications** (see [product page](#) for current document)

#### Plotted and Other Data

Notes:

## TNC Female Bulkhead Mount Connector Clamp/Solder Attachment for RG174, RG316, RG188, .480 inch D Hole



### PE4304

TNC Female Bulkhead Mount Connector Clamp/Solder Attachment for RG174, RG316, RG188, .480 inch D Hole from Pasternack Enterprises has same day shipment for domestic and International orders. Our RF, microwave and millimeter wave products maintain a 99.4% availability and are part of the broadest selection in the industry.

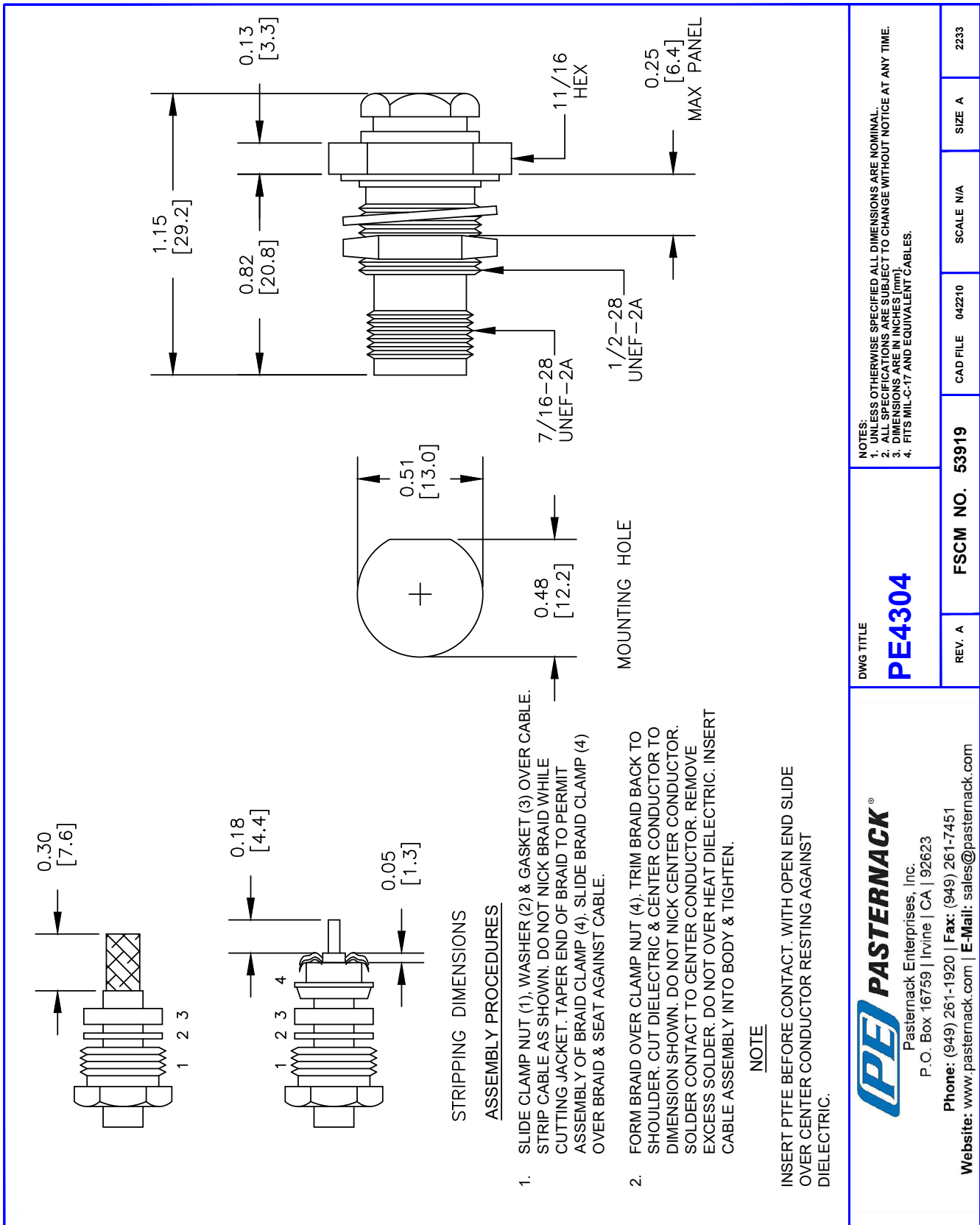
Click the following link (or enter part number in "SEARCH" on website) to obtain additional part information including price, inventory and certifications: [TNC Female Bulkhead Mount Connector Clamp/Solder Attachment for RG174, RG316, RG188, .480 inch D Hole PE4304](https://www.pasternack.com/tnc-female-rg174-rg316-rg188-connector-pe4304-p.aspx)

URL: <https://www.pasternack.com/tnc-female-rg174-rg316-rg188-connector-pe4304-p.aspx>

The information contained within this document is accurate to the best of our knowledge and representative of the part described herein. It may be necessary to make modifications to the part and/or the documentation of the part in order to implement improvements. Pasternack Enterprises reserves the right to make such changes as required. Unless otherwise stated, all specifications are nominal. Pasternack Enterprises does not make any representation or warranty regarding the suitability of the part described herein for any particular purpose, and Pasternack Enterprises does not assume liability arising out of the use of any part or document.

# PE4304 CAD Drawing

TNC Female Bulkhead Mount Connector Clamp/Solder Attachment for RG174, RG316, RG188, .480 inch D Hole



## Flexible RG188 Coax Cable Single Shielded with White PTFE Jacket



### RG188A/U

#### Configuration

- Flexible Cable
- 1 Shield(s)

#### Features

- High temperature 50 Ohm data signal transmission
- Teflon taped outer jacket results in a 200 degree C operating temperature
- Stranded center conductor allows cable to be very flexible
- Small diameter is ideal for tight fit applications
- Associated connectors and crimp tools available

#### Applications

- Ethernet
- Data
- Premise Wiring
- R&D

#### Description

RG188 coax cable from Pasternack is only one of a large number of radio frequency twinaxial and coaxial cable types specifically stocked to be ready for quick shipment. Pasternack's RG188A/U coax cable is manufactured in a flexible design and has a 50 Ohm impedance. This flexible 50 Ohm coax cable RG188 is constructed with a 0.11 inch diameter and PTFE jacket.

RG188 RG188A/U flexible 50 Ohm coax cable with PTFE jacket is rated for a 3 GHz maximum operating frequency. This 50 Ohm 0.11 inch diameter and flexible coax cable is built with a shield count of 1.

Pasternack's RG188 coax is constructed with PTFE dielectric and a maximum operating temperature of 250 degrees C. RG188 coax cable specs for this wire properties can be found on its RF coax cable RG-188 datasheet PDF specifications above.

RG188 cable is part of more than one million RF, microwave and millimeter wave parts in stock at Pasternack. This RG-188 coax cable is ready to buy and can be shipped worldwide. Pasternack also maintains a wide selection of other radio frequency twinaxial and coaxial cable types that ship same-day from our warehouse as with the rest of our other RF/microwave and millimeter wave components.

#### Electrical Specifications

| Description                          | Minimum | Typical     | Maximum      | Units        |
|--------------------------------------|---------|-------------|--------------|--------------|
| Frequency Range                      | DC      |             | 3            | GHz          |
| Impedance                            |         | 50          |              | Ohms         |
| Velocity of Propagation              |         | 70          |              | % of c       |
| Time Delay                           |         | 1.45 [4.76] |              | ns/ft [ns/m] |
| Dielectric Withstanding Voltage (AC) |         |             | 2,000        | Vrms         |
| Inner Conductor DC Resistance        |         |             | 84.1         | Ohms/1000ft  |
| Nominal Capacitance                  |         |             | 29.3 [96.13] | pF/ft [pF/m] |
| Power@ 1GHz                          |         |             | 160          | Watts        |

#### Performance by Frequency Band

| Description | F1  | F2 | F3 | F4 | F5 | Units |
|-------------|-----|----|----|----|----|-------|
| Frequency   | 400 |    |    |    |    | MHz   |

## Flexible RG188 Coax Cable Single Shielded with White PTFE Jacket



### RG188A/U

#### Performance by Frequency Band

| Description      | F1    | F2 | F3 | F4 | F5 | Units    |
|------------------|-------|----|----|----|----|----------|
| Attenuation, Typ | 20    |    |    |    |    | dB/100ft |
|                  | 65.62 |    |    |    |    | dB/100m  |

#### Electrical Specification Notes:

Static Bending Radius: One Time: 0.52 inch, repeated: 1.03

#### Mechanical Specifications

|          |                         |
|----------|-------------------------|
| Diameter | 0.11 in [2.79 mm]       |
| Weight   | 0.01 lbs/ft [0.01 kg/m] |

#### Construction Specifications

| Description     | Material and Plating                 | Diameter           |
|-----------------|--------------------------------------|--------------------|
| Inner Conductor | Copper Clad Steel, Silver, 7 Strands | 0.02 in [0.51 mm]  |
| Conductor Type  | Stranded                             |                    |
| Dielectric      | PTFE                                 | 0.06 in [1.52 mm]  |
| First Shield    | Silver Plated Copper Braid           | 0.081 in [2.06 mm] |
|                 | 95.2% coverage                       |                    |
| Jacket          | PTFE, White                          | 0.11 in [2.79 mm]  |

#### Environmental Specifications

|                    |                  |
|--------------------|------------------|
| <b>Temperature</b> |                  |
| Operating Range    | -55 to 200 deg C |

#### Compliance Certifications (see [product page](#) for current document)

#### Plotted and Other Data

Notes:

## Flexible RG188 Coax Cable Single Shielded with White PTFE Jacket



### RG188A/U

Flexible RG188 Coax Cable Single Shielded with White PTFE Jacket from Pasternack Enterprises has same day shipment for domestic and International orders. Our RF, microwave and millimeter wave products maintain a 99.4% availability and are part of the broadest selection in the industry.

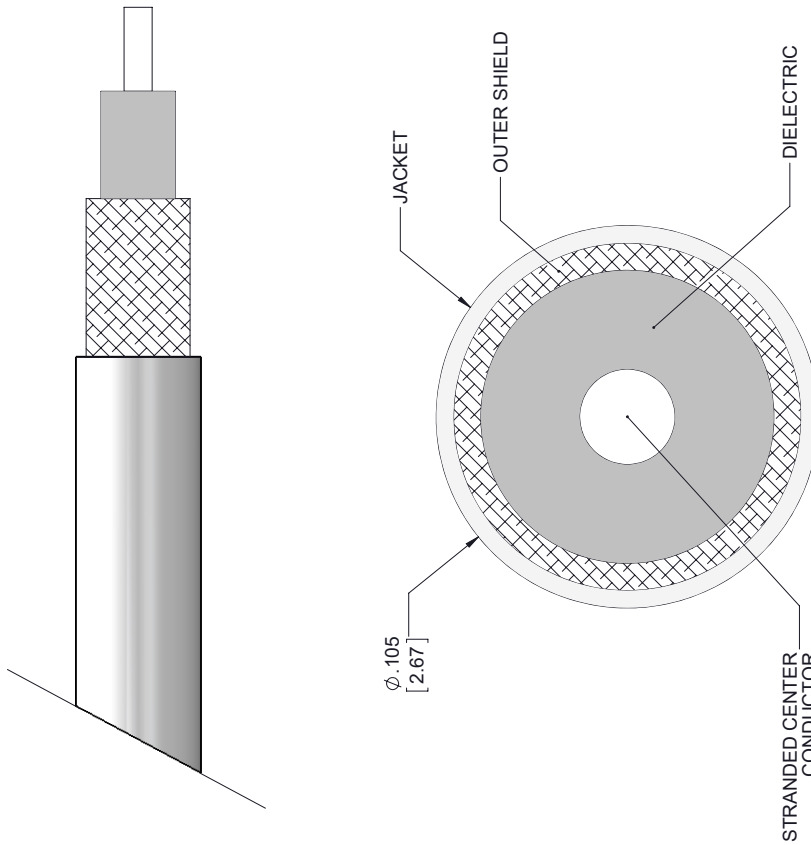
Click the following link (or enter part number in "SEARCH" on website) to obtain additional part information including price, inventory and certifications: [Flexible RG188 Coax Cable Single Shielded with White PTFE Jacket RG188A/U](#)

URL: <https://www.pasternack.com/50-ohm-flexible-rg188au-ptfe-jacket-silver-plated-copper-braid-outer-conductor-single-shielded-white-rg188a-u-p.aspx>

The information contained within this document is accurate to the best of our knowledge and representative of the part described herein. It may be necessary to make modifications to the part and/or the documentation of the part in order to implement improvements. Pasternack Enterprises reserves the right to make such changes as required. Unless otherwise stated, all specifications are nominal. Pasternack Enterprises does not make any representation or warranty regarding the suitability of the part described herein for any particular purpose, and Pasternack Enterprises does not assume liability arising out of the use of any part or document.

# RG188A/U CAD Drawing

Flexible RG188 Coax Cable Single Shielded with White PTFE Jacket



SECTION VIEW

STANDARD TOLERANCES

- X ±0.2
- .XX ±0.01
- .XXX ±0.005

\*STANDARD TOLERANCES APPLY ONLY TO DIMENSIONS IN INCHES



Pasternack Enterprises, Inc.  
P.O. Box 16759 | Irvine | CA | 92623

Phone: (949) 261-1920 | Fax: (949) 261-7451

Website: [www.pasternack.com](http://www.pasternack.com) | E-Mail: [sales@pasternack.com](mailto:sales@pasternack.com)

DWG TITLE

RG188A/U

CAGE CODE 53919

NOTES:  
1. UNLESS OTHERWISE SPECIFIED ALL DIMENSIONS ARE NOMINAL  
2. ALL SPECIFICATIONS ARE SUBJECT TO CHANGE WITHOUT NOTICE AT ANY TIME  
3. DIMENSIONS ARE IN INCHES [mm].

CAD FILE 091817

SCALE N/A

SIZE A

7361